

# MAXIMATOR®

HIGH PRESSURE TECHNOLOGY • HYDRAULICS • PNEUMATICS • TESTING EQUIPMENT



Valves • Fittings • Tubing

Sour Service  
Products

Pipe Valves & Fittings  
to 15,200 psi (1,050 bar)

Adapters and  
Couplings

Medium Pressure  
to 21,000 psi (1,500 bar)

Accessories

High Pressure  
to 65,000 psi (4,500 bar)

Tools and  
Installation

Ultra High Pressure  
to 152,000 psi (10,500 bar)

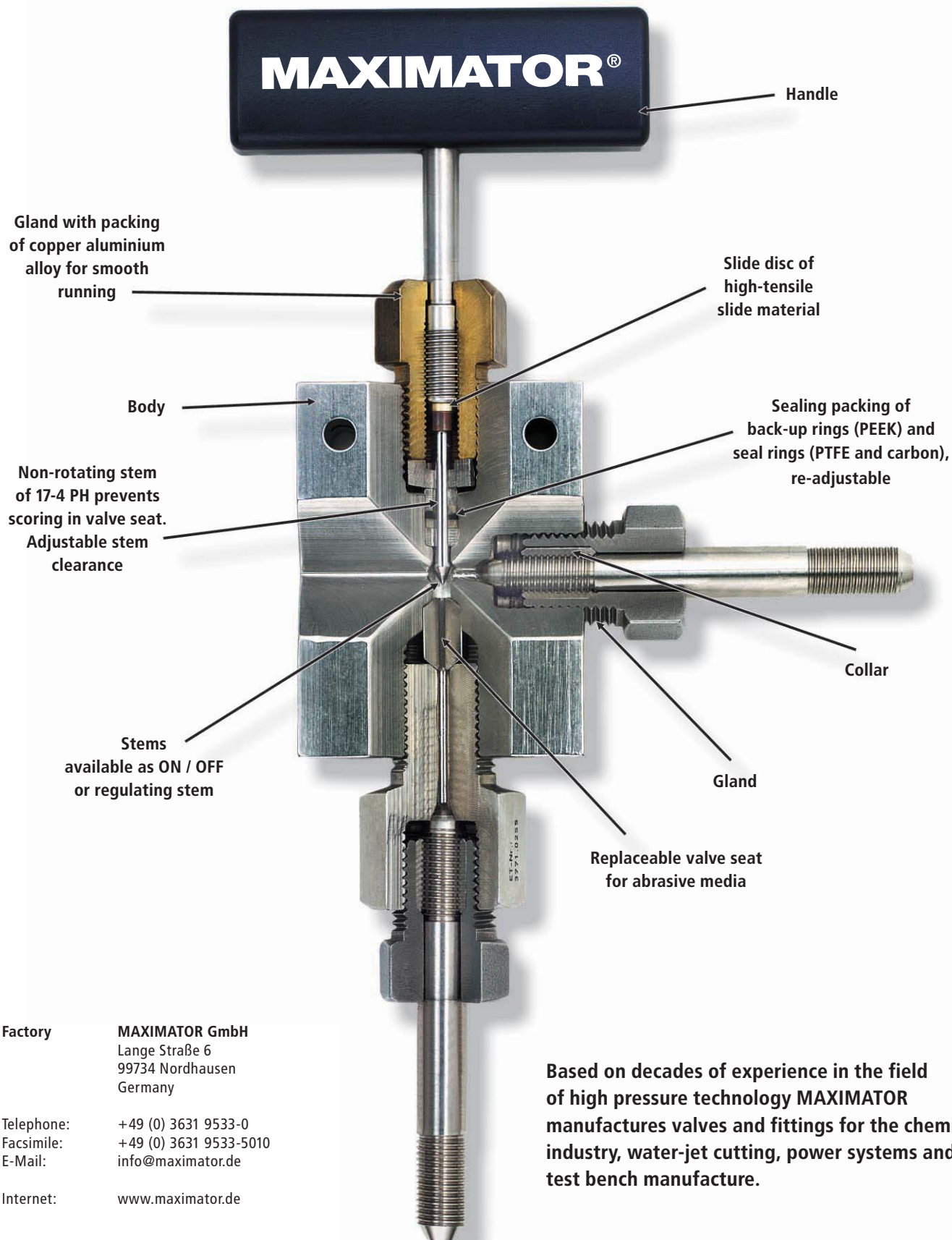
Technical  
Information

Valve Actuators

Ball Valves

to 21,000 psi (1,500 bar)

## Valve cross sections



**Factory**      **MAXIMATOR GmbH**  
Lange Straße 6  
99734 Nordhausen  
Germany

Telephone:      +49 (0) 3631 9533-0  
Facsimile:      +49 (0) 3631 9533-5010  
E-Mail:          info@maximator.de

Internet:        www.maximator.de

Based on decades of experience in the field of high pressure technology MAXIMATOR manufactures valves and fittings for the chemical industry, water-jet cutting, power systems and test bench manufacture.

State-of-the-art technical know-how based on German engineering, successful system developer and experienced specialist - MAXIMATOR GmbH is a leading supplier of high-pressure and testing technology, hydraulic and pneumatic equipments. Qualified and motivated company members are developing, designing, manufacturing and marketing products internationally which are worldwide employed in process technology plants.

At its headquarter in Nordhausen MAXIMATOR GmbH develops, designs and manufactures high-pressure equipment.



Our work is based on a verified and certified quality management system (DIN EN ISO 9001:2000) - the fundamental asset for implementing technological knowledge successfully and experience in the field of complex systems.

Further sales offices of the company across Germany and partner firms around the world provide fast-tracked individual system solutions, inter alia for valves, fittings and tubings, air-driven fluid pumps, air amplifiers and gas compressors, hydraulic units, test rigs and pressure generating units as well as gas-assisted and water-assisted systems.

Our efficient in-house service department carries out erection, installation and maintenance of components and systems manufactured by MAXIMATOR.



In our purposefully-built development and service centre in Nordhausen MAXIMATOR offers custom-tailored services such as pressure, bursting and impulse pressure tests plus component autofrettage.

A modern manufacturing operation has been established at our Nordhausen factory. The plant complies, especially in the high-pressure area, with all requirements to ultra-clean production and thus ensures highest fabrication and quality standards.

The MAXIMATOR team is highly qualified and experienced in high-pressure technologies. Following final inspection the components are shrink wrapped which guarantee dust-free delivery to their destinations.



Continuous marking ensures proper traceability of all MAXIMATOR Valves and Fittings. Following product relevant data are marked by a sophisticated laser device.

Type / Order Code / Maximum Working Pressure /  $\varnothing$  High Pressure Tube / Material / Batch Number

Sour Service Products  
Pipe Valves & Fittings  
to 15,200 psi (1,050 bar)

Adapters and Couplings  
Medium Pressure  
to 21,000 psi (1,500 bar)

Accessories  
High Pressure  
to 65,000 psi (4,500 bar)

Tools and Installation  
Ultra High Pressure  
to 152,000 psi (10,500 bar)

Technical Information  
Valve Actuators

Ball Valves  
to 21,000 psi (1,500 bar)

## Valves, Fittings & Tubing

MAXIMATOR has been designing and manufacturing high pressure equipment for more than thirty years and has a worldwide reputation for quality and reliability, backed by one of the best service organizations in the industry.

### ► Medium Pressure

A complete line of medium pressure valves, fittings, tubing, check valves, line filters, anti-vibration fittings and safety head assemblies are available through our catalog. All medium pressure valves and fittings use a coned and threaded, medium pressure style connection.

### ► High Pressure

Whatever your high pressure needs, MAXIMATOR is the source. We supply a complete line of high pressure valves, fittings, tubing, check valves, line filters, anti-vibration fittings and safety head assemblies. All high pressure valves and fittings use the high pressure style connection.

### ► Ultra High Pressure

In addition to our medium and high pressure lines, we are proud to offer a complete line of ultra high pressure valves, fittings and tubing. They come standard with the 5/16" ultra high pressure coned and threaded connection.

### ► Valve Actuators

Piston type, air operated, valve actuators are also available from MAXIMATOR. They are mounted on a standard manual valve to provide remote control capability. There are different air to open and air to close actuators available, and selection is based on the valve size, system pressure, and air pressure available.

### ► Ball Valves

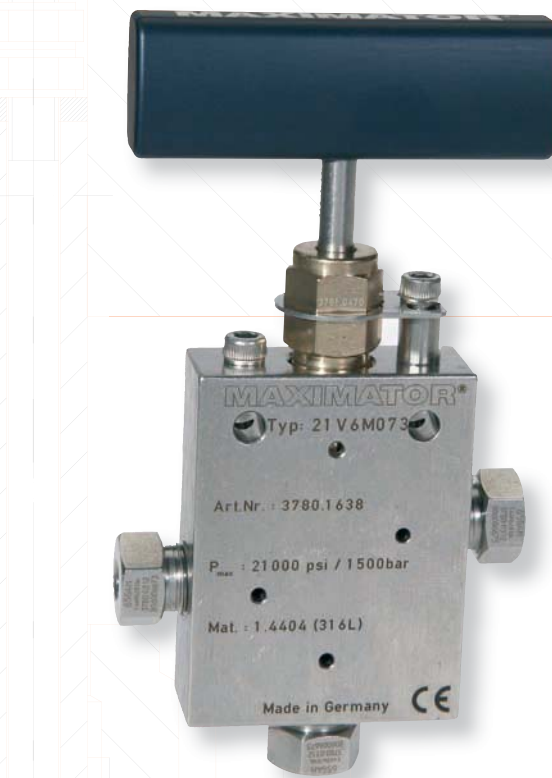
MAXIMATOR now offers ball valves of exceptional quality and performance with a variety of valve styles and process connections. Please consult the Valves, Fittings & Tubing catalog for availability.

### ► Couplings and Adapters

Joining two different sizes and/or types of connections is easy with the couplings and adapters offered by MAXIMATOR. Now a variety of size combinations are possible!

### ► Tools & Installation

Precise tools are necessary for manually coning and threading tubing. MAXIMATOR offers these tools, allowing for the coning and threading of medium and high pressure tubing up to 9/16" O.D.



Pipe Valves & Fittings  
to 15,200 psi (1,050 bar)

Medium Pressure  
to 21,000 psi (1,500 bar)

High Pressure  
to 65,000 psi (4,500 bar)

Ultra High Pressure  
to 152,000 psi (10,500 bar)

Valve Actuators

Ball Valves  
to 21,000 psi (1,500 bar)

Sour Service  
Products

Adapters and  
Couplings

Accessories

Tools and  
Installation

Technical  
Information

<b>1</b>	<b>Pipe Valves and Fittings Components</b> Pressures to 15,200 psi (1,050 bar) <i>Pipe Valves, Pipe Fittings, Pipe Hex Nipples, Pipe Check Valves, Pipe Line Filters</i>	<b>Pipe Valves &amp; Fittings</b> to 15,200 psi (1,050 bar)	<b>Sour Service Products</b>
<b>2</b>	<b>Medium Pressure Components</b> Pressures to 21,000 psi (1,500 bar) <i>Valves, Fittings, Anti-Vibration Collet Gland Assemblies, Tubing, Coned and Threaded Nipples, Check Valves, Line Filters, Safety Head Assemblies, Rupture Discs</i>	<b>Medium Pressure</b> to 21,000 psi (1,500 bar)	<b>Adapters and Couplings</b>
<b>3</b>	<b>High Pressure Components</b> Pressures to 65,000 psi (4,500 bar) <i>Valves, Fittings, Anti-Vibration Collet Gland Assemblies, Tubing, Coned and Threaded Nipples, Check Valves, Line Filters, Safety Head Assemblies, Rupture Discs</i>	<b>High Pressure</b> to 65,000 psi (4,500 bar)	<b>Accessories</b>
<b>4</b>	<b>Ultra High Pressure Components</b> Pressures to 152,000 psi (10,500 bar) <i>Valves, Fittings, Tubing, Coned and Threaded Nipples</i>	<b>Ultra High Pressure</b> to 152,000 psi (10,500 bar)	<b>Tools and Installation</b>
<b>5</b>	<b>Valve Actuators</b> <i>Air to Close (normally open), Air to Open (normally closed) Actuators</i>	<b>Valve Actuators</b>	<b>Technical Information</b>
<b>6</b>	<b>Ball Valves</b> Pressures to 21,000 psi (1,500 bar) <i>2-Way Ball Valves- 1/4" Orifice, 3-Way Ball Valves- 3/16" Orifice, Pneumatic and Electric Actuators</i>	<b>Ball Valves</b> to 21,000 psi (1,500 bar)	
<b>7</b>	<b>Valves Fittings and Tubing for Sour Gas Applications</b> Pressures to 30,000 psi (2,070 bar) <i>Valves, Fittings, Anti-Vibration Collet Gland Assemblies Tubing, Coned and Threaded Nipples, Check Valves, Line Filters</i>		
<b>8</b>	<b>Adapters, Couplings</b> Pressures to 152,000 psi (10,500 bar) <i>Adapters (male to female, male to male), Couplings (female to female)</i>		
<b>9</b>	<b>Accessories</b> <i>Pressure gauges, gauge connections, pressure transducer and high pressure hoses</i>		
<b>10</b>	<b>Tools &amp; Installation</b> <i>Coning and Threading Tools, Reseating and Deburring Tools, Tube Connection Details and Instructions, Tubing Minimum Bend Radius, Valve Torque Values</i>		
<b>11</b>	<b>Technical Information</b> <i>Pressure vs. Temperature Chart, TÜV Certificate</i>		

# MAXIMATOR®

## Valves, Fittings and Tubing Catalog Part Number Generator

Pressure	Component Type	Connection "A"		Stem Type <i>(only required on needle valves)</i>	Body Pattern	Connection "B"		Options
		Size	Type			Size	Type	
15 = 15,200 psi (1,050 bar)	A = Adapter (male / female)	2 = 1/8"	H = High Pressure	00 = Vee Stem one piece rotating	1 = Two-way straight	<i>If different from Connection "A"</i>		AVA = Anti-Vibration Collet Gland Assembly
21 = 21,000 psi (1,500 bar)	AVA = Anti-Vibration Collet Gland Assembly	4 = 1/4"	M = Medium Pressure	01 = Regulating Stem one piece rotating	2 = Two-way angle			B = Cryogenic Packing (-100°F)
22 = 22,500 psi (1,560 bar)	B24 = 2-Way Ball Valve	5 = 5/16"	P = NPT Pipe	07 = Vee Stem non rotating	3 = Three-way, two on pressure			DA = Ball Valve Actuator (Pneumatic Double Acting)
30 = 30,000 psi (2,070 bar)	BC = Ball Check Valve	6 = 3/8"	U = Ultra High Pressure	08 = Regulat- ing Stem non rotating	4 = Three-way, one on pressure			EH = Electric Ball Valve Actuator (80-240 Volts AC or DC)
36 = 36,000 psi (2,500 bar)	B3D3 = 3-Way Diverter Ball Valve (90°)	8 = 1/2"	B = BSP Pipe	80 = Vee Stem one piece rotating/ replaceable seat	5 = Three-way, two stem manifold			EL = Electric Ball Valve Actuator (12-48 Volts AC or DC)
65 = 65,000 psi (4,500 bar)	BF = Bulkhead Coupling	9 = 9/16"	GB = Gauge BSP	81 = Regulating Stem one piece rotating/ replaceable seat				GY = Graphite Braided Yarn Packing (800°F)
101 = 101,000 psi (7,000 bar)	B3S3 = 3-Way Switching Ball Valve (180°)	12 = 3/4"		87 = Vee Stem w/ replaceable seat non rotating				YHNC = Heavy Duty Air Actuators, Normally Closed
152 = 152,000 psi (10,500 bar)	C = Collar	16 = 1"		88 = Regulating Stem w/ replaceable seat non rotating				YHNO = Heavy Duty Air Actuators, Normally Open
	CF = Cup Type Filter							HT = High Temperature Option (1200°F)
	CT = Coning Tool							LT = Low Temperature Option (-423°F)
	DF = Dual Disc Line Filter							YMNC = Medium Duty Air Actuators, Normally Closed
	DT = Deburring Tool							YMNO = Medium Duty Air Actuators, Normally Open
	F = Coupling (female / female)							SA = Ball Valve Actuator (Pneumatic Single Acting)
	G = Gland							TG = Teflon Glass Packing (600°F)
	L = Elbow							WO = Without Collars & Glands
	M = Adapter (male / male)					WOC = Without Coating		
	N = Nipple					2P = Two Piece Component		
	OC = O-Ring Check Valve					SOG = Sour Gas Service		
	P = Plug							
	PG = Pressure Gauge							
	RD = Rupture Disc							
	RT = Reseating Tool							
	SH = Safety Head Assembly							
	T = Tee							
	TC = Tubing Cap							
	TU = Tubing							
	TT = Threading Tool							
	UF = Union Coupling							
	V = Valve							
	X = Cross							

Sour Service  
Products  
Pipe Valves & Fittings  
to 15,200 psi (1,050 bar)

Adapters and  
Couplings  
Medium Pressure  
to 21,000 psi (1,500 bar)

Accessories  
High Pressure  
to 65,000 psi (4,500 bar)

Tools and  
Installation  
Ultra High Pressure  
to 152,000 psi (10,500 bar)

Technical  
Information  
Valve Actuators

Ball Valves  
to 21,000 psi (1,500 bar)



## Pipe Valves, Fittings and Nipples Pressures to 15,200 psi (1,050 bar)

**MAXIMATOR** has been designing and manufacturing high pressure equipment for more than thirty years and has a worldwide reputation for quality and reliability, backed by one of the best service organizations in the industry.

### Pipe Valves, Fittings and Nipple feature:

- ▶ Rising stem design.
- ▶ 316 L (1.4404) wetted parts for excellent corrosion resistance.
- ▶ Metal-to-metal seating achieves bubble-tight shut-off, longer stem and seat life, greater durability for repeated open and close cycles.
- ▶ PTFE and carbon packing with metal back-up rings offers reliable stem to body sealing.
- ▶ Non-rotating stem prevents stem to seat galling
- ▶ Stem sleeve and packing gland materials have been selected to achieve optimum thread cycle life and reduced handle torque. All stem sleeve threads are rolled, assuring smooth operation.
- ▶ Two different valve body patterns, with choice of vee or regulating type stem tip.

**MAXIMATOR** offers a complete line of pipe fittings, pipe hex nipples, pipe check valves and pipe line filters. All pipe valves and fittings use the NPT connection.

**Note:** When selecting multiple items, the pressure rating would be that of the lowest rated component.

### Index

Pipe Valves . . . . .	2-3
Pipe Fittings . . . . .	4-7
Pipe Hex Nipples . . . . .	8
Pipe O-Ring Check Valves . . . . .	9
Pipe Ball Check Valves . . . . .	10
Pipe Line Filters . . . . .	11

### Factory

**MAXIMATOR GmbH**  
Lange Straße 6  
99734 Nordhausen  
Germany

Telephone: +49 (0) 3631 9533-0  
Facsimile: +49 (0) 3631 9533-5010  
E-Mail: info@maximator.de  
Internet www.maximator.de

**Sour Service Products**  
Pipe Valves & Fittings  
to 15,200 psi (1,050 bar)

**Adapters and Couplings**  
Medium Pressure  
to 21,000 psi (1,500 bar)

**Accessories**  
High Pressure  
to 65,000 psi (4,500 bar)

**Tools and Installation**  
Ultra High Pressure  
to 152,000 psi (10,500 bar)

**Technical Information**  
Valve Actuators

**Ball Valves**  
to 21,000 psi (1,500 bar)

# MAXIMATOR®

## Pipe Valves

Pressures to 15,200 psi (1,050 bar)



### Ordering Information

Typical catalog number: **15V4B071**

15V	8B	07	1	OPTIONS
Valve Series	Thread Size	Stem Type	Body Pattern	Extreme temperature option, see below.
15V	4B – 1/4" BSP 4P – 1/4" NPT 6B – 3/8" BSP 6P – 3/8" NPT 8B – 1/2" BSP 8P – 1/2" NPT	07 – non-rotating VEE stem 08 – non-rotating REGULATING stem (tapered tip for regulating and shutoff)	1 – two-way straight 2 – two-way angle	

### Special Designs for Extreme Temperatures

Standard valves are supplied with Teflon/Carbon packing and may be operated to 450°F (230°C). High temperature packing and/or extended stuffing box are available for service from -423°F to 1200°F (-217°C to 650°C) by adding the following suffixes to catalog order number.

- **TG** standard valve with Teflon glass packing to 600°F (315°C).
- **GY** standard valve with graphite braided yarn packing to 800°F (425°C).
- **HT** extended stuffing box valve with graphite braided yarn packing to 1200°F (620°C).
- **B** standard valve with cryogenic trim materials and Teflon packing to -100°F (-73°C).
- **LT** extended stuffing box valve with Teflon packing and cryogenic trim materials to -423°F (-252°C).

### Repair Kits

Consult your **MAXIMATOR** representative for repair kits and valve bodies. Refer to the Tools and Installation section for proper maintenance procedures.

**MAXIMATOR** pipe valves with metal to metal seats have a high level of safety and reliability under adverse operating conditions. These valves may be used both with gases and liquids.

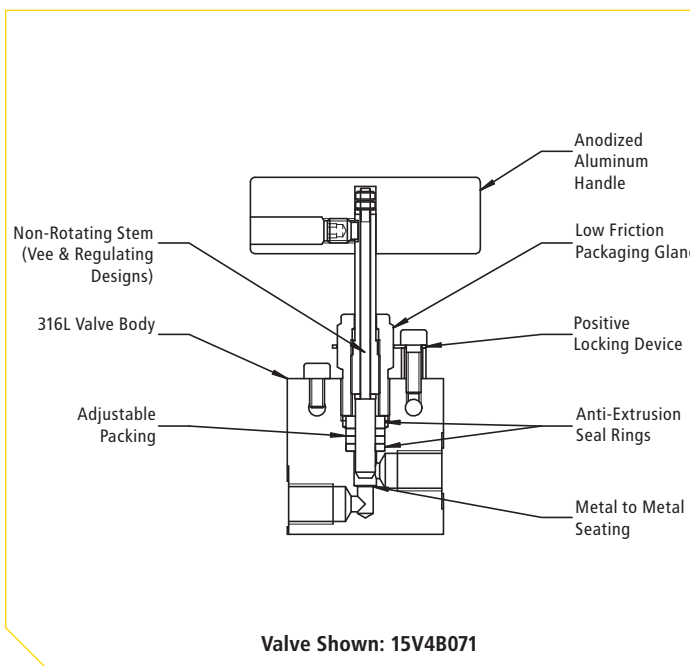
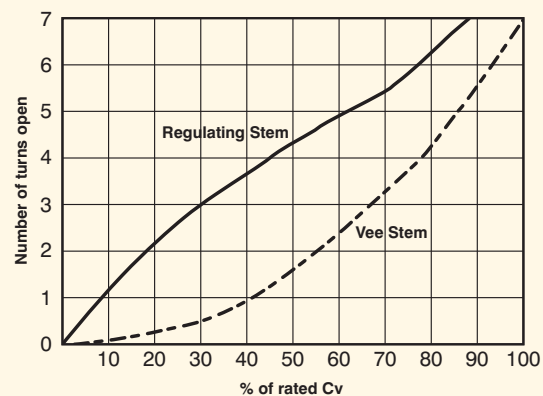
Traceability is ensured through extensively documented data (batch number, maximum pressure, material number, type designation).

Size in.	Connection Type	Orifice Size in. (mm)	Rated Cv*	Pressure/Temp. Rating psi @ R.T. (bar)**
1/4	4B/4P	0.201 (5.1)	0.75	15,200 (1,050)
3/8	6B/6P	0.312 (7.9)	1.30	15,200 (1,050)
1/2	8B/8P	0.312 (7.9)	1.30	15,200 (1,050)

\* Cv values shown are for 2-way straight pattern valves. For 2-way angle patterns, increase the Cv value by 50%.

\*\* See page 2 for Pressure/Temperature Rating Chart.

Flow Coefficient Reference Curves (Cv)



Valve Shown: 15V4B071

All technical and dimensional information subject to change. All general Terms and Conditions of sale, including limitations of our liability, apply to all products and services sold.

**Sour Service Products**  
 to 15,200 psi (1,050 bar)

**Adapters and Couplings**  
 to 21,000 psi (1,500 bar)

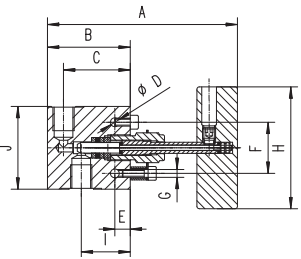
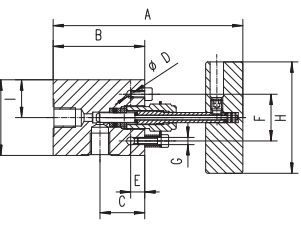
**Accessories**  
 to 65,000 psi (4,500 bar)

**Tools and Installation**  
 to 152,000 psi (10,500 bar)

**Technical Information**  
 Valve Actuators

**Ball Valves**  
 to 21,000 psi (1,500 bar)



Valve Pattern	Catalog Number	Stem Type	Thread Size	Orifice in. (mm)	Dimensions in. (mm)										Valve Panel Hole	Block Thickness
					A	B	C	D	E	F	H	I	J			
<b>2-Way Straight</b>																
	15V4B071	Vee	1/4	0.201 (5.1)	4.61 (117)	2.01 (51)	1.62 (41.1)	0.22 (5.5)	0.37 (9.5)	1.24 (31.5)	2.95 (75)	1.19 (30.2)	2.01 (51)	0.75 (19.1)	0.79 (20)	
	15V4B081	Reg														
	15V4P071	Vee														
	15V4P081	Reg														
	15V6B071	Vee	3/8	0.312 (7.9)	6.3 (160)	2.88 (73.2)	2.38 (60.5)	0.37 (9.5)	0.45 (11.5)	1.38 (35)	3.94 (100)	1.75 (44.5)	2.50 (63.5)	1.00 (25.4)	1.02 (26)	
	15V6B081	Reg														
	15V6P071	Vee														
	15V6P081	Reg	1/2	0.312 (7.9)	6.496 (165)	3.11 (79)	2.36 (60)	0.37 (9.5)	0.45 (11.5)	1.38 (35)	3.94 (100)	1.73 (44)	2.64 (67)	1.00 (25.4)	1.54 (39)	
	15V8B071	Vee														
	15V8B081	Reg														
	15V8P071	Vee														
	15V8P081	Reg														
<b>2-Way Angle</b>																
	15V4B072	Vee	1/4	0.201 (5.1)	5.00 (127)	2.43 (61.7)	1.19 (30.2)	0.22 (5.5)	0.37 (9.5)	1.24 (31.5)	2.95 (75)	1.00 (25.4)	2.01 (51)	0.75 (19.1)	0.79 (20)	
	15V4B082	Reg														
	15V4P072	Vee														
	15V4P082	Reg														
	15V6B072	Vee	3/8	0.312 (7.9)	6.77 (172)	3.38 (85.9)	1.75 (44.5)	0.37 (9.5)	0.45 (11.5)	1.38 (35)	3.94 (100)	1.25 (31.8)	2.50 (63.5)	1.00 (25.4)	1.02 (26)	
	15V6B082	Reg														
	15V6P072	Vee														
	15V6P082	Reg	1/2	0.312 (7.9)	6.464 (164)	3.11 (79)	1.73 (44)	0.37 (9.5)	0.45 (11.5)	1.38 (35)	3.94 (100)	1.32 (33.5)	2.64 (67)	1.00 (25.4)	1.54 (39)	
	15V8B072	Vee														
	15V8B082	Reg														
	15V8P072	Vee														
	15V8P082	Reg														

G - Panel mounting screw thread size 10-24 UNC (screw included).  
All dimensions are for reference only and are subject to change.

# MAXIMATOR®

## Pipe Fittings

Pressures to 15,200 psi (1,050 bar)

**MAXIMATOR** Pipe Fittings are designed for liquid and gas applications. The P Series Fittings are available from 1/4" to 1" NPT to 15,200 psi (1,050 bar).

NPT threads must be sealed using a high quality PTFE tape and/or paste product. Sealing performance may vary based on many factors such as pressure, temperature, media, thread quality, thread material, proper thread engagement and proper use of thread sealant.

MAXIMATOR recommends to limit the number of times an NPT fitting is assembled and disassembled because thread deformation during assembly will result in deteriorating seal quality over time. When using only PTFE tape, using thread lubrication to prevent galling of mating parts is recommended.



Fitting Pattern	Catalog Number	Connection Type	Orifice in. (mm)	Dimensions in. (mm)							Block Thickness
				A	B	C	D	E	F	G	

Pipe Elbow											
	15L4P	1/4" NPT	0.201 (5.1)	0.75 (19)	1.14 (29)	1.54 (39)	0.75 (19)	0.49 (12.5)	0.49 (12.5)	0.22 (5.5)	0.79 (20)
	15L6P	3/8" NPT	0.312 (7.9)	1.00 (25.4)	1.50 (38)	2.01 (51)	1.00 (25.4)	0.63 (16)	0.63 (16)	0.26 (6.5)	1.02 (26)
	15L8P	1/2" NPT	0.312 (7.9)	1.50 (38)	1.89 (48)	2.99 (76)	1.25 (31.8)	0.84 (21.3)	1.08 (27.5)	0.33 (8.5)	1.38 (35)
	15L12P	3/4" NPT	0.685 (17.4)	1.50 (38)	2.24 (57)	2.99 (76)	1.50 (38)	1.00 (25.4)	1.00 (25.4)	0.35 (9)	1.38 (35)
	15L16P	1" NPT	0.685 (17.4)	2.07 (52.5)	2.52 (64)	4.13 (105)	1.57 (40)	1.10 (28)	1.38 (35)	0.53 (13.5)	1.77 (45)

Pipe Tee											
	15T4P	1/4" NPT	0.201 (5.1)	0.77 (19.5)	1.14 (29)	1.54 (39)	0.75 (19)	0.49 (12.5)	1.02 (26)	0.22 (5.5)	0.79 (20)
	15T6P	3/8" NPT	0.312 (7.9)	1.00 (25.4)	1.50 (38)	2.01 (51)	1.00 (25.4)	0.63 (16)	1.26 (32)	0.26 (6.5)	1.02 (26)
	15T8P	1/2" NPT	0.312 (7.9)	1.50 (38)	1.89 (48)	2.99 (76)	1.26 (32)	0.87 (22)	2.00 (51)	0.35 (9)	1.38 (35)
	15T12P	3/4" NPT	0.685 (17.4)	1.50 (38)	2.20 (56)	2.99 (76)	1.50 (38)	1.00 (25.4)	2.00 (51)	0.35 (9)	1.38 (35)
	15T16P	1" NPT	0.685 (17.4)	2.07 (52.5)	2.52 (64)	4.13 (105)	1.57 (40)	1.10 (28)	2.76 (70)	0.53 (13.5)	1.77 (45)

See page 2 in the Technical Section for pressure/temperature rating chart.  
All dimensions are for reference only and are subject to change.

All technical and dimensional information subject to change. All general Terms and Conditions of sale, including limitations of our liability, apply to all products and services sold.

**Sour Service Products**  
 to 15,200 psi (1,050 bar)

**Adapters and Couplings**  
 to 21,000 psi (1,500 bar)

**Accessories**  
 to 65,000 psi (4,500 bar)

**Tools and Installation**  
 to 152,000 psi (10,500 bar)

**Technical Information**  
 to 21,000 psi (1,500 bar)

**Ball Valves**  
 to 21,000 psi (1,500 bar)

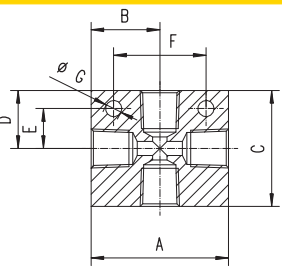
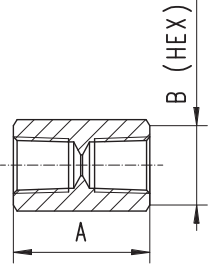
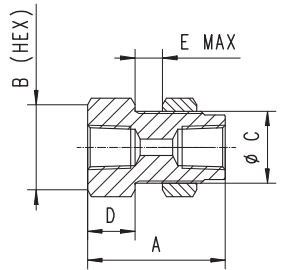
**Valve Actuators**

**High Pressure**  
 to 65,000 psi (4,500 bar)

**Ultra High Pressure**  
 to 152,000 psi (10,500 bar)

**Medium Pressure**  
 to 21,000 psi (1,500 bar)

**Pipe Valves & Fittings**  
 to 15,200 psi (1,050 bar)

Fitting Pattern	Catalog Number	Connection Type	Orifice in. (mm)	Dimensions in. (mm)							Block Thickness
				A	B	C	D	E	F	G	
<b>Pipe Cross</b>											
	15X4P	1/4" NPT	0.201 (5.1)	1.54 (39)	0.77 (19.5)	1.54 (39)	0.77 (19.5)	0.49 (12.5)	0.98 (25)	0.22 (5.5)	0.79 (20)
	15X6P	3/8" NPT	0.312 (7.9)	2.01 (51)	1.00 (25.4)	2.01 (51)	1.00 (25.4)	0.63 (16)	1.26 (32)	0.26 (6.5)	1.02 (26)
	15X8P	1/2" NPT	0.312 (7.9)	2.99 (7.6)	1.50 (38)	2.52 (64)	1.26 (32)	0.87 (22)	2.01 (51)	0.35 (9)	1.38 (35)
	15X12P	3/4" NPT	0.685 (17.4)	2.99 (7.6)	1.50 (38)	2.99 (76)	1.50 (38)	1.00 (25.4)	2.01 (51)	0.35 (9)	1.38 (35)
	15X16P	1" NPT	0.685 (17.4)	4.13 (105)	2.07 (52.5)	3.15 (80)	1.57 (40)	1.10 (28)	2.76 (70)	0.53 (13.5)	1.77 (45)
<b>Pipe Coupling</b>											
	15F4P	1/4" NPT	0.201 (5.1)	1.50 (38.1)	0.81 (20.6)						
	15F6P	3/8" NPT	0.312 (7.9)	1.63 (41.3)	1.06 (27)						
	15F8P	1/2" NPT	0.312 (7.9)	2.05 (52)	1.19 (30.2)						
	15F12P	3/4" NPT	0.685 (17.4)	2.72 (69)	1.44 (36.5)						
	15F16P	1" NPT	0.685 (17.4)	2.52 (64)	2.00 (50.8)						
<b>Pipe Bulkhead Coupling</b>											
	15BF4P	1/4" NPT	0.201 (5.1)	2.00 (50.8)	1.06 (27)	0.9 (23)	0.63 (16)	0.71 (18)			
	15BF6P	3/8" NPT	0.312 (7.9)	2.38 (60.5)	1.44 (36.5)	1.14 (29)	0.79 (20)	0.63 (16)			
	15BF8P	1/2" NPT	0.312 (7.9)	2.63 (66.8)	1.63 (41.28)	1.39 (35.5)	0.91 (23)	0.63 (16)			
	15BF12P	3/4" NPT	0.685 (17.4)	2.63 (66.8)	2.00 (50.8)	1.69 (43)	0.91 (23)	0.47 (12)			
	15BF16P	1" NPT	0.685 (17.4)	3.50 (89)	2.00 (50.8)	1.97 (50)	1.50 (38)	0.39 (10)			

See page 2 in the Technical Section for pressure/temperature rating chart.  
All dimensions are for reference only and are subject to change.

All technical and dimensional information subject to change. All general Terms and Conditions of sale, including limitations of our liability, apply to all products and services sold.

**Sour Service Products**  
**Adapters and Couplings**  
**Accessories**  
**Tools and Installation**  
**Technical Information**  
**Ball Valves**

**Pipe Valves & Fittings**  
 to 15,200 psi (1,050 bar)

**Medium Pressure**  
 to 21,000 psi (1,500 bar)

**High Pressure**  
 to 65,000 psi (4,500 bar)

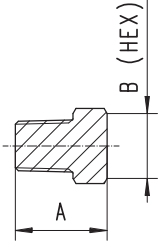
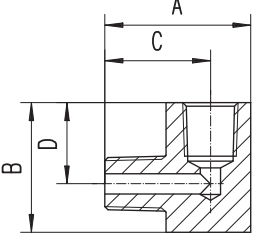
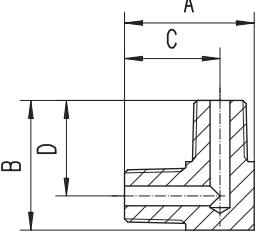
**Ultra High Pressure**  
 to 152,000 psi (10,500 bar)

**Valve Actuators**  
 to 21,000 psi (1,500 bar)

# MAXIMATOR®

## Pipe Fittings

Pressures to 15,200 psi (1,050 bar)

Fitting Pattern	Catalog Number	Connection Type	Orifice in. (mm)	Dimensions in. (mm)							Block Thickness
				A	B	C	D	E	F	G	
<b>Pipe Plugs</b>											
	15P4P	1/4" NPT		1.10 (28)	0.69 (17.5)						
	15P6P	3/8" NPT		1.10 (28)	0.88 (22.2)						
	15P8P	1/2" NPT		1.50 (38)	1.06 (27)						
	15P12P	3/4" NPT		1.50 (38)	1.44 (36.5)						
	15P16P	1" NPT		1.89 (48)	1.44 (36.5)						
<b>Street Pipe Elbow</b>											
	15SPL4P	1/4" NPT	0.201 (5.1)	1.50 (38.1)	1.50 (38.1)	1.13 (28.7)	1.00 (25.4)				0.79 (20)
	15SPL6P	3/8" NPT	0.312 (7.9)	1.76 (44.8)	1.50 (38.1)	1.25 (31.8)	1.00 (25.4)				1.02 (26)
	15SPL8P	1/2" NPT	0.312 (7.9)	2.25 (57.2)	2.00 (50.8)	1.63 (41.4)	1.25 (31.8)				1.02 (26)
	15SPL12P	3/4" NPT	0.685 (17.4)	2.5 (63.5)	2.62 (66.6)	1.81 (46)	1.70 (43.3)				1.54 (39)
	15SPL16P	1" NPT	0.685 (17.4)	2.99 (76)	2.99 (76)	2.13 (54)	2.01 (51)				1.77 (45)
<b>Male Pipe Elbow</b>											
	15MPL4P	1/4" NPT	0.201 (5.1)	1.50 (38)	1.50 (38)	1.13 (28.7)	1.13 (28.7)				0.79 (20)
	15MPL6P	3/8" NPT	0.312 (7.9)	1.75 (44.5)	1.75 (44.5)	1.25 (31.8)	1.25 (31.8)				1.02 (26)
	15MPL8P	1/2" NPT	0.312 (7.9)	2.00 (50.8)	2.00 (50.8)	1.47 (37.4)	1.47 (37.4)				1.02 (26)
	15MPL12P	3/4" NPT	0.685 (17.4)	2.62 (66.6)	2.62 (66.6)	1.87 (47.6)	1.87 (47.6)				1.54 (39)
	15MPL16P	1" NPT	0.685 (17.4)	2.99 (76)	2.99 (76)	2.13 (54)	2.13 (54)				1.77 (45)

See page 2 in the Technical Section for pressure/temperature rating chart.  
All dimensions are for reference only and are subject to change.

All technical and dimensional information subject to change. All general Terms and Conditions of sale, including limitations of our liability, apply to all products and services sold.

Sour Service  
Products  
Pipe Valves & Fittings  
to 15,200 psi (1,050 bar)

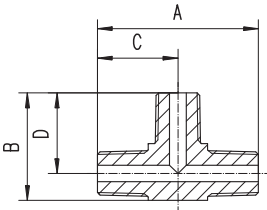
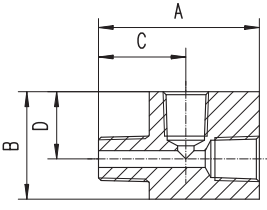
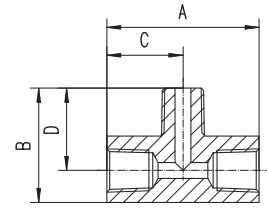
Adapters and  
Couplings  
Medium Pressure  
to 21,000 psi (1,500 bar)

Accessories  
High Pressure  
to 65,000 psi (4,500 bar)

Tools and  
Installation  
Ultra High Pressure  
to 152,000 psi (10,500 bar)

Technical  
Information  
Valve Actuators

Ball Valves  
to 21,000 psi (1,500 bar)

Fitting Pattern	Catalog Number	Connection Type	Orifice in. (mm)	Dimensions in. (mm)							Block Thickness
				A	B	C	D	E	F	G	
<b>Male Pipe Tee</b>											
	15MPT4P	1/4" NPT	0.201 (5.1)	2.26 (57.4)	1.50 (38)	1.13 (28.7)	1.13 (28.7)				0.79 (20)
	15MPT6P	3/8" NPT	0.312 (7.9)	2.50 (63.5)	1.75 (44.5)	1.25 (31.8)	1.25 (31.8)				1.02 (26)
	15MPT8P	1/2" NPT	0.312 (7.9)	3.00 (76.2)	2.00 (50.8)	1.50 (38)	1.50 (38)				1.02 (26)
	15MPT12P	3/4" NPT	0.685 (17.4)	3.50 (89)	2.62 (66.6)	1.75 (44.5)	1.77 (44.5)				1.54 (39)
	15MPT16P	1" NPT	0.685 (17.4)	4.13 (105)	2.99 (76)	2.07 (52.5)	2.13 (54)				1.77 (45)
<b>Street Pipe Tee</b>											
	15SPT4P	1/4" NPT	0.201 (5.1)	2.00 (50.8)	1.38 (35)	1.15 (29.3)	1.00 (25.4)				0.79 (20)
	15SPT6P	3/8" NPT	0.312 (7.9)	2.50 (63.5)	1.50 (38)	1.5 (38)	1.00 (25.4)				1.02 (26)
	15SPT8P	1/2" NPT	0.312 (7.9)	3.00 (76.2)	2.00 (50.8)	1.63 (41.4)	1.25 (31.8)				1.26 (32)
	15SPT12P	3/4" NPT	0.685 (17.4)	3.15 (80)	2.62 (66.6)	1.85 (46.9)	1.70 (43.3)				1.54 (39)
	15SPT16P	1" NPT	0.685 (17.4)	4.13 (105)	2.99 (76)	2.13 (54)	2.13 (54)				1.77 (45)
<b>Male Branch Tee</b>											
	15BPT4P	1/4" NPT	0.201 (5.1)	2.00 (50.8)	1.50 (38)	1.00 (25.4)	1.13 (28.7)				0.79 (20)
	15BPT6P	3/8" NPT	0.312 (7.9)	2.00 (50.8)	1.75 (44.5)	1.00 (25.4)	1.25 (31.8)				1.02 (26)
	15BPT8P	1/2" NPT	0.312 (7.9)	3.00 (76.2)	2.25 (57.2)	1.50 (38)	1.62 (41.2)				1.26 (32)
	15BPT12P	3/4" NPT	0.685 (17.4)	3.00 (76.2)	2.62 (66.6)	1.50 (38)	1.87 (47.6)				1.54 (39)
	15BPT16P	1" NPT	0.685 (17.4)	4.13 (105)	2.99 (76)	2.07 (52.5)	2.13 (54)				1.77 (45)

See page 2 in the Technical Section for pressure/temperature rating chart.  
All dimensions are for reference only and are subject to change.

All technical and dimensional information subject to change. All general Terms and Conditions of sale, including limitations of our liability, apply to all products and services sold.

**Sour Service Products**  
 Pipe Valves & Fittings  
 to 15,200 psi (1,050 bar)

**Adapters and Couplings**  
 Medium Pressure  
 to 21,000 psi (1,500 bar)

**Accessories**  
 High Pressure  
 to 65,000 psi (4,500 bar)

**Tools and Installation**  
 Ultra High Pressure  
 to 152,000 psi (10,500 bar)

**Technical Information**  
 Valve Actuators

**Ball Valves**  
 to 21,000 psi (1,500 bar)

# MAXIMATOR®

## Pipe Hex Nipples

Pressures to 15,200 psi (1,050 bar)

**MAXIMATOR** Pipe Hex Nipples are designed for rapid system make-up. They are available in various lengths for pipe valves and fittings.

In addition to the minimum lengths (Pipe Hex Close Nipples) and standard lengths listed in the table below, Pipe Hex Nipples are also available in custom length. Please consult factory.



Fitting Pattern	Catalog Number	Connection Type	Working Pressure psi (bar)	Orifice in. (mm)	Dimensions in. (mm)	
					A	B (Hex.)

Pipe Hex Close Nipple						
	15M4P	1/4" NPT	15,200 (1,050)	0.201 (5.1)	1.85 (47)	0.69 (17.46)
	15M6P	3/8" NPT	15,200 (1,050)	0.312 (7.9)	1.89 (48)	0.88 (22.2)
	15M8P	1/2" NPT	15,200 (1,050)	0.312 (7.9)	2.50 (63.5)	1.06 (27)
	15M12P	3/4" NPT	15,200 (1,050)	0.685 (17.4)	2.81 (71.5)	1.44 (36.5)
	15M16P	1" NPT	15,200 (1,050)	0.685 (17.4)	3.19 (81)	1.44 (36.5)

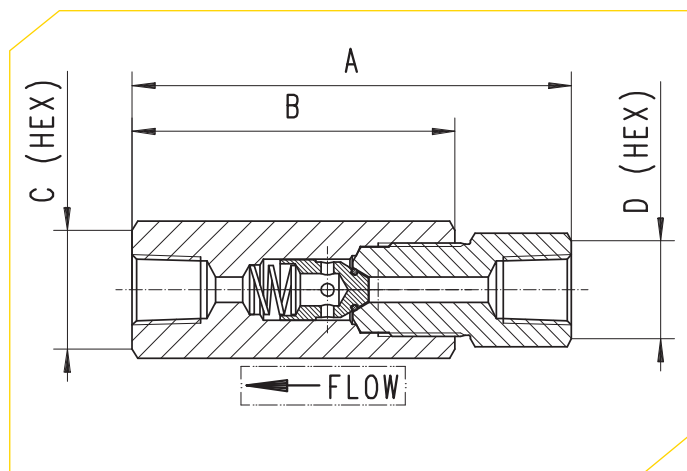
Pipe Hex Nipples						
	15M4P-4	1/4" NPT	15,200 (1,050)	0.201 (5.1)	4.00 (101.6)	0.69 (17.46)
	15M4P-6				6.00 (152.4)	
	15M4P-8				8.00 (203.2)	
	15M6P-4	3/8" NPT	15,200 (1,050)	0.312 (7.9)	4.00 (101.6)	0.88 (22.2)
	15M6P-6				6.00 (152.4)	
	15M6P-8				8.00 (203.2)	
	15M8P-4	1/2" NPT	15,200 (1,050)	0.312 (7.9)	4.00 (101.6)	1.06 (27)
	15M8P-6				6.00 (152.4)	
	15M8P-8				8.00 (203.2)	
	15M12P-4	3/4" NPT	15,200 (1,050)	0.685 (17.4)	4.00 (101.6)	1.44 (36.5)
	15M12P-6				6.00 (152.4)	
	15M12P-8				8.00 (203.2)	
	15M16P-4	1" NPT	15,200 (1,050)	0.685 (17.4)	4.00 (101.6)	1.44 (36.5)
	15M16P-6				6.00 (152.4)	
15M16P-8	8.00 (203.2)					

All dimensions are for reference only and subject to change.

All technical and dimensional information subject to change. All general Terms and Conditions of sale, including limitations of our liability, apply to all products and services sold.

**Sour Service Products**  
 to 15,200 psi (1,050 bar)  
**Adapters and Couplings**  
 to 21,000 psi (1,500 bar)  
**Medium Pressure**  
 to 21,000 psi (1,500 bar)  
**High Pressure**  
 to 65,000 psi (4,500 bar)  
**Accessories**  
 to 65,000 psi (4,500 bar)  
**Tools and Installation**  
 to 152,000 psi (10,500 bar)  
**Ultra High Pressure**  
 to 152,000 psi (10,500 bar)  
**Valve Actuators**  
 to 21,000 psi (1,500 bar)  
**Ball Valves**  
 to 21,000 psi (1,500 bar)

## Pipe O-Ring Check Valves Pressures to 15,200 psi (1,050 bar)



### Pipe O-Ring Check Valves

**MAXIMATOR** Pipe O-Ring Check Valves provide high quality directional flow control and bubble tight shutoff for liquids and gases. These check valves are not to be used as a relief device. The opening pressure of the O-Ring Check Valves is approx. 10 psi (1.5 bar).

#### Materials:

Body, cover, poppet, cover gland: 316 stainless steel

Spring: 300 series stainless steel

O-ring: Viton "A" (-4°F to 392°F)

Catalog Number	Connection Type	Pressure Rating psi (bar)	Orifice in. (mm)	Rated (Cv)	Dimensions in. (mm)			
					A	B	C (Hex.)	D (Hex.)
<b>Pipe O-Ring Check Valves</b>								
150C4P	1/4" NPT	15,200 (1,050)	0.201 (5.1)	0.28	3.36 (85.3)	2.40 (61)	0.88 (22.2)	0.88 (22.2)
150C6P	3/8" NPT	15,200 (1,050)	0.312 (7.9)	0.84	3.94 (100)	2.95 (75)	1.44 (36.5)	1.44 (36.5)
150C8P	1/2" NPT	15,200 (1,050)	0.312 (7.9)	2.30	5.30 (134.7)	3.90 (99)	1.44 (36.5)	1.44 (36.5)
150C12P	3/4" NPT	15,200 (1,050)	0.685 (17.4)	4.70	6.29 (159.8)	4.88 (124)	2.00 (50.8)	2.00 (50.8)
150C16P	1" NPT	15,200 (1,050)	0.685 (17.4)	7.40	7.32 (186)	5.75 (146)	2.00 (50.8)	2.00 (50.8)

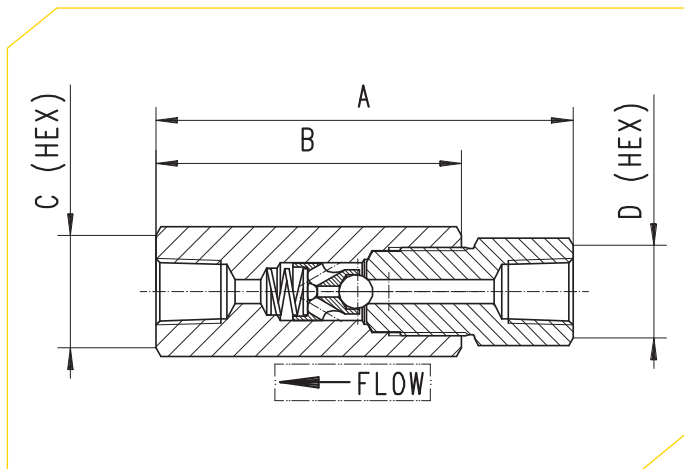
*CAUTION: FREQUENT INSPECTIONS of O-Rings are necessary to ensure proper service of the check valve. O-Rings have shown satisfactory service life in testing, however different service conditions may lead to variations in cycle and shelf life.*

*All dimensions are for reference only and subject to change.*

# MAXIMATOR®

## Pipe Ball Check Valves

Pressures to 15,200 psi (1,050 bar)



### Pipe Ball Check Valves

**MAXIMATOR** Pipe Ball Check Valves prevent reverse flow where bubble tight shutoff is not mandatory. These check valves are designed to operate to 660°F. These check valves are not to be used as a relief device. The opening pressure of the Pipe Ball Check Valves is approx. 10 psi (1.5 bar).

#### Materials:

Body, cover, poppet, cover gland: 316 stainless steel

Ball: 316 stainless steel

Spring: 300 series stainless steel

Catalog Number	Connection Type	Pressure Rating psi (bar)	Orifice in. (mm)	Rated (Cv)	Dimensions in. (mm)			
					A	B	C (Hex.)	D (Hex.)
<b>Pipe Ball Check Valves</b>								
15BC4P	1/4" NPT	15,200 (1,050)	0.201 (5.1)	0.28	3.36 (85.3)	2.40 (61)	0.88 (22.2)	0.88 (22.2)
15BC6P	3/8" NPT	15,200 (1,050)	0.312 (7.9)	0.84	3.94 (100)	2.95 (75)	1.44 (36.5)	1.44 (36.5)
15BC8P	1/2" NPT	15,200 (1,050)	0.312 (7.9)	2.30	5.32 (135.2)	3.90 (99)	1.44 (36.5)	1.44 (36.5)
15BC12P	3/4" NPT	15,200 (1,050)	0.685 (17.4)	4.70	6.29 (159.8)	4.88 (124)	2.00 (50.8)	2.00 (50.8)
15BC16P	1" NPT	15,200 (1,050)	0.685 (17.4)	7.40	7.32 (186)	5.75 (146)	2.00 (50.8)	2.00 (50.8)

All dimensions are for reference only and subject to change.

Sour Service  
Products  
Pipe Valves & Fittings  
to 15,200 psi (1,050 bar)

Adapters and  
Couplings  
Medium Pressure  
to 21,000 psi (1,500 bar)

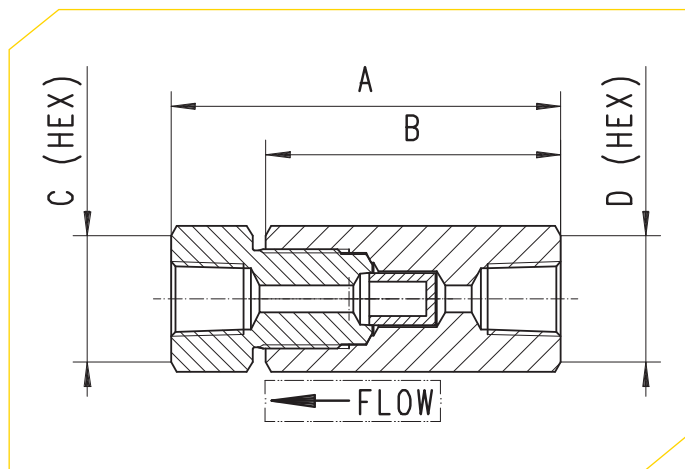
Accessories  
High Pressure  
to 65,000 psi (4,500 bar)

Tools and  
Installation  
Ultra High Pressure  
to 152,000 psi (10,500 bar)

Technical  
Information  
Valve Actuators

Ball Valves  
to 21,000 psi (1,500 bar)





### Pipe Line Filters

**MAXIMATOR** Pipe Line Filters are used to filter process fluids in high pressure systems. The cup type design is used when maximum filtration surface area and a single micron size element is preferred. This design increases the filter area as much as 6 times the area of the disc type filter, and will permit higher flow rates with a lower pressure drop, and longer intervals between element changes. Filter elements come standard in 5, 30, or 56 micron sizes and are easily replaced. Filters are rated for temperatures -60°F to 660°F (-50°C to 350°C).

#### Materials:

Body, cover, cover gland: 316 series stainless steel

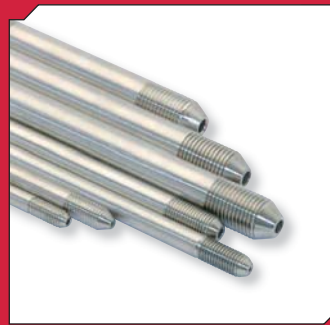
Element: 300 series stainless steel

Catalog Number	Pressure Rating psi (bar)	Orifice in. (mm)	Micron Size	Connection Type	Filter Element Area in. <sup>2</sup> (mm)	Dimensions in. (mm)			
						A	B	C (Hex.)	D (Hex.)

Pipe Line Filter									
15CF4P-5	15,200 (1,050)	0.201 (5.1)	5	1/4" NPT	0.82 (530)	3.25 (82.5)	2.36 (60)	0.88 (22.2)	0.88 (22.2)
15CF4P-30			30						
15CF4P-56			56						
15CF6P-5	15,200 (1,050)	3.94 (100)	5	3/8" NPT	1.55 (1,000)	3.69 (93.84)	2.83 (72)	1.19 (30.2)	1.44 (36.5)
15CF6P-30			30						
15CF6P-56			56						
15CF8P-5	15,200 (1,050)	3.94 (100)	5	1/2" NPT	1.55 (1,000)	4.42 (112.4)	3.35 (85)	1.44 (36.5)	1.44 (36.5)
15CF8P-30			30						
15CF8P-56			56						
15CF12P-5	15,200 (1,050)	0.685 (17.4)	5	3/4" NPT	6.14 (3,690)	6.57 (66.94)	5.12 (130)	2.00 (50.8)	2.00 (50.8)
15CF12P-30			30						
15CF12P-56			56						
15CF16P-5	15,200 (1,050)	0.685 (17.4)	5	1" NPT	6.14 (3,690)	6.77 (171.9)	5.31 (135)	2.00 (50.8)	2.00 (50.8)
15CF16P-30			30						
15CF16P-56			56						

*It is recommended that all fluids entering a high pressure system be thoroughly cleaned. Maximator filters are designed to remove small amounts of process particles. Pressure differential should not exceed 1000 psi across the filter elements.*

*All dimensions for reference only and are subject of change.*



## Medium Pressure Valves, Fittings and Tubing Pressures to 21,000 psi (1,500 bar)

**MAXIMATOR** has been designing and manufacturing high pressure equipment for more than thirty years and has a worldwide reputation for quality and reliability, backed by one of the best service organizations in the industry.

### Medium Pressure Valves feature:

- ▶ Rising stem design.
- ▶ 316 L (1.4404) wetted parts for excellent corrosion resistance.
- ▶ Metal-to-metal seating achieves bubble-tight shut-off, longer stem and seat life, greater durability for repeated open and close cycles.
- ▶ PTFE and carbon packing with metal back-up rings offers reliable stem to body sealing.
- ▶ Non-rotating stem prevents stem to seat galling.
- ▶ Stem sleeve and packing gland materials have been selected to achieve optimum thread cycle life and reduced handle torque. All stem sleeve threads are rolled, assuring smooth operation.
- ▶ Safety weep holes for all pressure connections and packing area.
- ▶ Six different valve body patterns, with choice of vee or regulating type stem tip.

**MAXIMATOR** offers a complete line of medium pressure fittings, tubing, check valves, line filters, anti-vibration fittings and safety head assemblies. All medium pressure valves and fittings use the medium pressure style connection. This coned and threaded connection features orifice sizes to match the high flow characteristics of the medium pressure valve, fitting and tubing line.

**Note:** When selecting multiple items, the pressure rating would be that of the lowest rated component.

### Medium Pressure Index

Valves . . . . .	2-4
Fittings . . . . .	5-6
Anti-Vibration Collet Gland Assemblies . . . . .	7
Tubing . . . . .	8
Coned and Threaded Nipples . . . . .	9
Check Valves . . . . .	10-11
Line Filters . . . . .	12
Safety Head Assemblies and Rupture Discs . . . . .	13-14

**Factory**  
**MAXIMATOR GmbH**  
 Lange Straße 6  
 99734 Nordhausen  
 Germany

Telephone: +49 (0) 3631 9533-0  
 Facsimile: +49 (0) 3631 9533-5010  
 E-Mail: info@maximator.de  
 Internet: www.maximator.de

All technical and dimensional information subject to change. All general Terms and Conditions of sale, including limitations of our liability, apply to all products and services sold.

# MAXIMATOR®

## Medium Pressure Valves

Pressures to 21,000 psi (1,500 bar)



### Ordering Information

Typical catalog number: **21V4M071**

21V	4M	07	1	OPTIONS
Valve Series	O.D. Tube Size	Stem Type	Body Pattern	Extreme temperature option, see below.
21V	4M – 1/4" 6M – 3/8" 9M – 9/16" 12M – 3/4" 16M – 1"	07 – VEE stem 08 – REGULATING stem (tapered tip for regulating and shutoff) 87 – VEE stem with replaceable seat 88 – REGULATING stem with replaceable seat	1 – two-way straight 2 – two-way angle 3 – three-way, two on pressure 4 – three-way, one on pressure 5 – three-way, two-stem manifold	

### Special Designs for Extreme Temperatures

Standard valves are supplied with Teflon/Carbon packing and may be operated to 450°F (230°C). High temperature packing and/or extended stuffing box are available for service from -423°F to 1200°F (-217°C to 650°C) by adding the following suffixes to catalog order number.

- **TG** standard valve with teflon glass packing to 600°F (315°C).
- **GY** standard valve with graphite braided yarn packing to 800°F (425°C).
- **HT** extended stuffing box valve with graphite braided yarn packing to 1200°F (650°C).
- **B** standard valve with cryogenic trim materials and Teflon packing to -100°F (-73°C).
- **LT** extended stuffing box valve with teflon packing and cryogenic trim materials to -423°F (-252°C).

### Repair Kits

Consult your **MAXIMATOR** representative for repair kits and valve bodies. Refer to the Tools and Installation section for proper maintenance procedures.

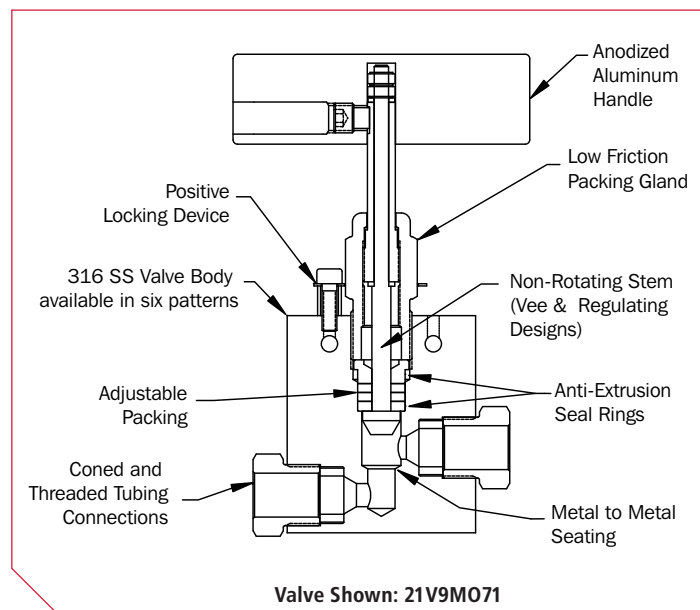
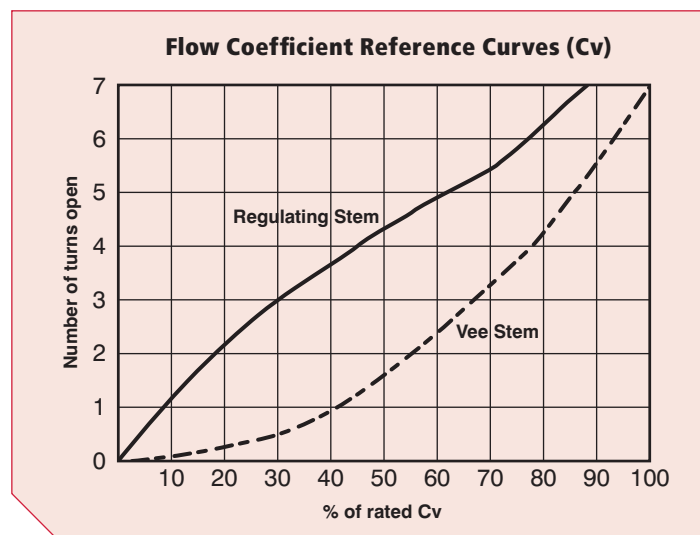
**MAXIMATOR** medium pressure valves with metal to metal seats have a high level of safety and reliability under adverse operating conditions. These valves may be used both with gases and liquids.

Traceability is ensured through extensively documented data (batch number, maximum pressure, material number, type designation). All medium pressure valves include glands and collars.

O.D. Size in. (mm)	Connection Type	Orifice Size in. (mm)	Rated Cv*	Pressure/Temp. Rating psi @ R.T. (bar)**
1/4 (6.35)	4MF	0.125 (3.2)	0.31	21,000 (1,500)
3/8 (9.53)	6MF	0.219 (5.6)	0.75	21,000 (1,500)
9/16 (14.29)	9MF	0.312 (7.9)	1.30	21,000 (1,500)
3/4 (19.05)	12MF	0.438 (11.1)	2.50	21,000 (1,500)
1 (25.4)	16MF	0.562 (14.3)	4.40	21,000 (1,500)

\* Cv values shown are for 2-way straight pattern vee stem valves. For 2-way angle patterns, increase the Cv value by 50%.

\*\* See page 2 in the Technical Section for Pressure/Temperature Rating Chart.



All technical and dimensional information subject to change. All general Terms and Conditions of sale, including limitations of our liability, apply to all products and services sold.

**Sour Service Products**  
 to 15,200 psi (1,050 bar)

**Adapters and Couplings**  
 to 21,000 psi (1,500 bar)

**Accessories**  
 to 65,000 psi (4,500 bar)

**Tools and Installation**  
 to 152,000 psi (10,500 bar)

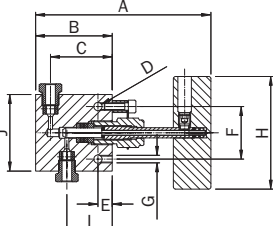
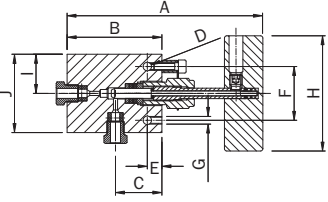
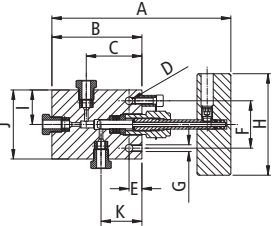
**Technical Information**

**Valve Actuators**

**Ball Valves**  
 to 21,000 psi (1,500 bar)

# MAXIMATOR®

## Medium Pressure Valves Pressures to 21,000 psi (1,500 bar)

Valve Pattern	Catalog Number	Stem Type	O.D. Tube in.	Orifice in. (mm)	Dimensions in. (mm)										Valve Panel Hole	Block Thickness
					A	B	C	D	E	F	H	I	J	K		
<b>2-Way Straight</b>																
	21V4M071	Vee	1/4	0.106	4.61	2.01	1.62	0.22	0.37	1.24	2.95	1.19	2.01		0.75	0.79
	21V4M081	Reg		(2.7)	(117)	(51)	(41.1)	(5.6)	(9.5)	(31.5)	(75)	(30.2)	(51)		(19.1)	(20.1)
	21V6M071	Vee	3/8	0.201	4.61	2.01	1.62	0.22	0.37	1.24	2.95	1.19	2.01		0.75	0.79
	21V6M081	Reg		(5.1)	(117)	(51)	(41.1)	(5.6)	(9.5)	(31.5)	(75)	(30.2)	(51)		(19.1)	(20.1)
	21V9M071	Vee	9/16	0.307	5.87	2.88	2.38	0.37	0.45	1.38	3.94	1.75	2.50		1.00	1.02
	21V9M081	Reg		(7.8)	(149)	(73.2)	(60.5)	(9.5)	(11.5)	(35)	(100)	(44.5)	(63.5)		(25.4)	(25.9)
	21V12M071	Vee	3/4	0.438	7.05	3.74	3.00	0.43	0.63	1.76	10.31	2.25	3.00		1.25	1.38
	21V12M081	Reg		(11.1)	(179)	(95)	(76)	(11)	(16)	(44.7)	(262)	(57.2)	(76)		(31.8)	(35)
	21V16M071	Vee	1	0.562	8.98	4.65	3.75	0.53	1.13	2.50	10.31	2.81	4.13		1.62	1.77
	21V16M081	Reg		(14.3)	(228)	(118)	(95.3)	(13.5)	(28.7)	(63.5)	(262)	(71.4)	(105)		(41.1)	(45)
<b>2-Way Angle</b>																
	21V4M072	Vee	1/4	0.106	5.00	2.43	1.19	0.22	0.37	1.24	2.95	1.00	2.01		0.75	0.79
	21V4M082	Reg		(2.7)	(127)	(61.7)	(30.2)	(5.6)	(9.5)	(31.5)	(75)	(25.4)	(51)		(19.1)	(20.1)
	21V6M072	Vee	3/8	0.201	5.00	2.43	1.19	0.22	0.37	1.24	2.95	1.00	2.01		0.75	0.79
	21V6M082	Reg		(5.1)	(127)	(61.7)	(30.2)	(5.6)	(9.5)	(31.5)	(75)	(25.4)	(51)		(19.1)	(20.1)
	21V9M072	Vee	9/16	0.307	6.36	3.38	1.75	0.37	0.45	1.38	3.94	1.25	2.50		1.00	1.02
	21V9M082	Reg		(7.8)	(161.5)	(85.9)	(44.5)	(9.5)	(11.5)	(35)	(100)	(31.8)	(63.5)		(25.4)	(25.9)
	21V12M072	Vee	3/4	0.438	7.56	4.25	2.25	0.43	0.63	1.76	10.31	1.50	3.00		1.25	1.38
	21V12M082	Reg		(11.1)	(192)	(108)	(57.2)	(11)	(16)	(44.7)	(262)	(38)	(76)		(31.8)	(35)
	21V16M072	Vee	1	0.562	9.45	5.12	2.81	0.53	1.13	2.50	10.31	2.07	4.13		1.62	1.77
	21V16M082	Reg		(14.3)	(240)	(130)	(71.4)	(13.5)	(28.7)	(63.5)	(262)	(52.5)	(105)		(41.1)	(45)
<b>3-Way / 2 on Pressure</b>																
	21V4M073	Vee	1/4	0.106	5.20	2.62	1.62	0.22	0.37	1.24	2.95	1.00	2.01	1.19	0.75	0.79
	21V4M083	Reg		(2.7)	(132)	(66.5)	(41.1)	(5.6)	(9.5)	(31.5)	(75)	(25.4)	(51)	(30.2)	(19.1)	(20.1)
	21V6M073	Vee	3/8	0.201	5.20	2.62	1.62	0.22	0.37	1.24	2.95	1.00	2.01	1.19	0.75	0.79
	21V6M083	Reg		(5.1)	(132)	(66.5)	(41.1)	(5.6)	(9.5)	(31.5)	(75)	(25.4)	(51)	(30.2)	(19.1)	(20.1)
	21V9M073	Vee	9/16	0.307	6.60	3.62	2.38	0.37	0.45	1.38	3.94	1.25	2.50	1.75	1.00	1.02
	21V9M083	Reg		(7.8)	(167.6)	(92)	(60.5)	(9.5)	(11.5)	(35)	(100)	(31.8)	(63.5)	(44.5)	(25.4)	(25.9)
	21V12M073	Vee	3/4	0.438	7.97	4.63	3.00	0.43	0.63	1.76	10.31	1.50	3.00	2.25	1.25	1.38
	21V12M083	Reg		(11.1)	(201)	(117.5)	(76)	(11)	(16)	(44.7)	(262)	(38)	(76)	(57.2)	(31.8)	(35)
	21V16M073	Vee	1	0.562	10.20	5.87	3.75	0.53	1.13	2.50	10.31	2.07	4.13	2.81	1.62	1.77
	21V16M083	Reg		(14.3)	(259)	(149)	(95.3)	(13.5)	(28.7)	(63.5)	(262)	(52.5)	(105)	(71.4)	(41.1)	(45)

G - Panel mounting screw thread size 10-24 UNC (screw included).  
All dimensions are for reference only and are subject to change.

All technical and dimensional information subject to change. All general Terms and Conditions of sale, including limitations of our liability, apply to all products and services sold.

**Sour Service Products**  
 to 15,200 psi (1,050 bar)

**Adapters and Couplings**  
 to 21,000 psi (1,500 bar)

**Accessories**  
 to 65,000 psi (4,500 bar)

**Tools and Installation**  
 to 152,000 psi (10,500 bar)

**Technical Information**  
 to 21,000 psi (1,500 bar)

**Ball Valves**  
 to 21,000 psi (1,500 bar)

**Valve Actuators**

**Ultra High Pressure**  
 to 152,000 psi (10,500 bar)

**High Pressure**  
 to 65,000 psi (4,500 bar)

**Medium Pressure**  
 to 21,000 psi (1,500 bar)

**Pipe Valves & Fittings**  
 to 15,200 psi (1,050 bar)

# MAXIMATOR®

## Medium Pressure Valves

Pressures to 21,000 psi (1,500 bar)

Valve Pattern	Catalog Number	Stem Type	O.D. Tube in.	Orifice in. (mm)	Dimensions in. (mm)										Valve Panel Hole	Block Thickness
					A	B	C	D	E	F	H	I	J	K		
<b>3-Way / 1 on Pressure</b>																
	21V4M074	Vee	1/4	0,106 (2.7)	5.00	2.43	1.19	0.22	0.37	1.24	2.95	1.00	2.01	0.75 (19.1)	0.79 (20.1)	
	21V4M084	Reg			5.00	2.43	1.19	0.22	0.37	1.24	2.95	1.00	2.01			
	21V6M074	Vee	3/8	0.201 (5.1)	5.00	2.43	1.19	0.22	0.37	1.24	2.95	1.00	2.01	0.75 (19.1)	0.79 (20.1)	
	21V6M084	Reg			5.00	2.43	1.19	0.22	0.37	1.24	2.95	1.00	2.01			
	21V9M074	Vee	9/16	0.307 (7.8)	6.34	3.38	1.75	0.37	0.45	1.38	3.94	1.25	2.50	1.00 (25.4)	1.02 (25.9)	
	21V9M084	Reg			6.34	3.38	1.75	0.37	0.45	1.38	3.94	1.25	2.50			
	21V12M074	Vee	3/4	0.438 (11.1)	7.56	4.25	2.25	0.43	0.63	1.76	10.31	1.50	3.00	1.25 (31.8)	1.38 (35)	
	21V12M084	Reg			7.56	4.25	2.25	0.43	0.63	1.76	10.31	1.50	3.00			
	21V16M074	Vee	1	0.562 (14.3)	9.53	5.20	2.81	0.53	1.13	2.50	10.31	2.07	4.13	1.62 (41.1)	1.77 (45)	
	21V16M084	Reg			9.53	5.20	2.81	0.53	1.13	2.50	10.31	2.07	4.13			
<b>3-Way / 2-Stem Manifold</b>																
	21V4M075	Vee	1/4	0,106 (2.7)	8.54	3.39	1.69	0.22	0.37	1.24	2.95	1.00	2.01	1.19	0.75	0.79
	21V4M085	Reg			8.54	3.39	1.69	0.22	0.37	1.24	2.95	1.00	2.01	1.19	0.75	0.79
	21V6M075	Vee	3/8	0.201 (5.1)	8.54	3.39	1.69	0.22	0.37	1.24	2.95	1.00	2.01	1.19	0.75	0.79
	21V6M085	Reg			8.54	3.39	1.69	0.22	0.37	1.24	2.95	1.00	2.01	1.19	0.75	0.79
	21V9M075	Vee	9/16	0.307 (7.8)	11.1	5.12	2.56	0.37	0.45	1.38	3.94	1.25	2.50	1.75	1.00	1.02
	21V9M085	Reg			11.1	5.12	2.56	0.37	0.45	1.38	3.94	1.25	2.50	1.75	1.00	1.02
	21V12M075	Vee	3/4	0.438 (11.1)	13.07	6.50	3.25	0.43	0.63	1.76	10.31	1.50	3.00	2.25	1.25	1.38
	21V12M085	Reg			13.07	6.50	3.25	0.43	0.63	1.76	10.31	1.50	3.00	2.25	1.25	1.38
	21V16M075	Vee	1	0.562 (14.3)	16.18	7.52	3.76	0.53	1.13	2.50	10.31	2.07	4.13	2.81	1.62	1.77
	21V16M085	Reg			16.18	7.52	3.76	0.53	1.13	2.50	10.31	2.07	4.13	2.81	1.62	1.77
<b>2-Way Angle / Replaceable Seat</b>																
	21V4M872	Vee	1/4	0,106 (2.7)	4.84	2.25	1.19	0.22	0.37	1.24	2.95	1.00	2.01	0.75 (19.1)	0.79 (20.1)	
	21V4M882	Reg			4.84	2.25	1.19	0.22	0.37	1.24	2.95	1.00	2.01			
	21V6M872	Vee	3/8	0.201 (5.1)	4.84	2.25	1.19	0.22	0.37	1.24	2.95	1.00	2.01	0.75 (19.1)	0.79 (20.1)	
	21V6M882	Reg			4.84	2.25	1.19	0.22	0.37	1.24	2.95	1.00	2.01			
	21V9M872	Vee	9/16	0.307 (7.8)	6.65	3.21	1.75	0.37	0.45	1.38	3.94	1.25	2.50	1.00 (25.4)	1.02 (25.9)	
	21V9M882	Reg			6.65	3.21	1.75	0.37	0.45	1.38	3.94	1.25	2.50			
	21V12M872	Vee	3/4	0.438 (11.1)	7.56	4.25	2.25	0.43	0.63	1.76	10.31	1.50	3.00	1.25 (31.8)	1.38 (35)	
	21V12M882	Reg			7.56	4.25	2.25	0.43	0.63	1.76	10.31	1.50	3.00			
	21V16M872	Vee	1	0.562 (14.3)	9.57	5.25	2.81	0.53	1.13	2.50	10.31	2.07	4.13	1.62 (41.1)	1.77 (45)	
	21V16M882	Reg			9.57	5.25	2.81	0.53	1.13	2.50	10.31	2.07	4.13			

G - Panel mounting screw thread size 10-24 UNC (screw included).  
All dimensions are for reference only and are subject to change.

All technical and dimensional information subject to change. All general Terms and Conditions of sale, including limitations of our liability, apply to all products and services sold.

**Sour Service Products**  
 Pipe Valves & Fittings  
 to 15,200 psi (1,050 bar)

**Adapters and Couplings**  
 Medium Pressure  
 to 21,000 psi (1,500 bar)

**Accessories**  
 High Pressure  
 to 65,000 psi (4,500 bar)

**Tools and Installation**  
 Ultra High Pressure  
 to 152,000 psi (10,500 bar)

**Technical Information**  
 Valve Actuators

**Ball Valves**  
 to 21,000 psi (1,500 bar)

# MAXIMATOR®

## Medium Pressure Fittings Pressures to 21,000 psi (1,500 bar)

MAXIMATOR medium pressure fittings are designed with the large orifice for use with the 21V series medium pressure valves and medium pressure tubing. All medium pressure fittings have coned and threaded type connections. Mounting holes are standard on all elbows, tees, and crosses.



Tubing Size in. (mm)	Gland	Collar	Plug	Tubing Cap
1/4 (6.35)	21G4M	21C4M	21P4M	21TC4M
3/8 (9.53)	21G6M	21C6M	21P6M	21TC6M
9/16 (14.29)	21G9M	21C9M	21P9M	21TC9M
3/4 (19.05)	21G12M	21C12M	21P12M	21TC12M
1 (25.4)	21G16M	21C16M	21P16M	21TC16M

### Connection Components

All medium pressure fittings are supplied with glands and collars. Refer to the adjacent chart for ordering any of the connection components individually. When using the plug, the collar is not needed.

Fitting Pattern	Catalog Number	Connection Type	O.D. Tube Size in.	Orifice in. (mm)	Dimensions in. (mm)							Block Thickness
					A	B	C	D	E	F	G	
<b>Elbow</b>												
	21L4M	4MF	1/4	0.106 (2.7)	0.75 (19.1)	1.10 (28)	1.54 (39.1)	0.75 (19.1)	0.49 (12.5)	0.49 (12.5)	0.22 (5.6)	0.63 (16)
	21L6M	6MF	3/8	0.201 (5.1)	1.00 (25.4)	1.38 (35)	2.00 (50.8)	1.00 (25.4)	0.63 (16)	0.63 (16)	0.26 (6.6)	0.79 (20.1)
	21L9M	9MF	9/16	0.307 (7.8)	1.25 (31.8)	1.75 (44.5)	2.50 (63.5)	1.25 (31.8)	0.84 (21.3)	0.84 (21.3)	0.33 (8.4)	1.02 (25.9)
	21L12M	12MF	3/4	0.438 (11.1)	1.50 (38.1)	2.25 (57.2)	3.00 (76)	1.50 (38.1)	1.00 (25.4)	1.00 (25.4)	0.35 (8.9)	1.38 (35)
	21L16M	16MF	1	0.562 (14.3)	2.06 (52.3)	3.00 (76)	4.13 (105)	2.06 (52.3)	1.38 (35)	1.38 (35)	0.53 (13.5)	1.77 (45)
<b>Tee</b>												
	21T4M	4MF	1/4	0.106 (2.7)	0.75 (19.1)	1.10 (28)	1.54 (39.1)	0.75 (19.1)	0.49 (12.5)	0.49 (12.5)	0.22 (5.6)	0.63 (16)
	21T6M	6MF	3/8	0.201 (5.1)	1.00 (25.4)	1.38 (35)	2.00 (50.8)	1.00 (25.4)	0.63 (16)	0.63 (16)	0.26 (6.6)	0.79 (20.1)
	21T9M	9MF	9/16	0.307 (7.8)	1.25 (31.8)	1.75 (44.5)	2.50 (63.5)	1.25 (31.8)	0.84 (21.3)	0.84 (21.3)	0.33 (8.4)	1.02 (25.9)
	21T12M	12MF	3/4	0.438 (11.1)	1.50 (38.1)	2.25 (57.2)	3.00 (76)	1.50 (38.1)	1.00 (25.4)	1.00 (25.4)	0.35 (8.9)	1.38 (35)
	21T16M	16MF	1	0.562 (14.3)	2.06 (52.3)	3.00 (76)	4.13 (105)	2.06 (52.3)	1.38 (35)	1.38 (35)	0.53 (13.5)	1.77 (45)

All dimensions are for reference only and are subject to change. See page 2 in the Technical Section for pressure/temperature rating chart.

All technical and dimensional information subject to change. All general Terms and Conditions of sale, including limitations of our liability, apply to all products and services sold.

**Sour Service Products**  
 to 15,200 psi (1,050 bar)

**Adapters and Couplings**  
 to 21,000 psi (1,500 bar)

**High Pressure Accessories**  
 to 65,000 psi (4,500 bar)

**Ultra High Pressure Installation**  
 to 152,000 psi (10,500 bar)

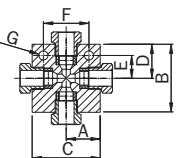
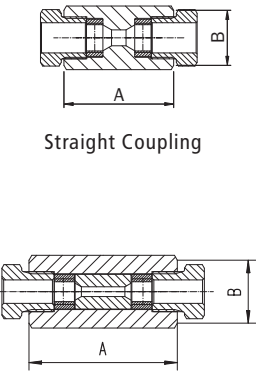
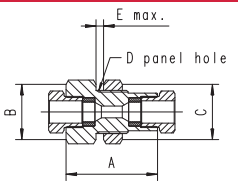
**Valve Actuators**  
 to 21,000 psi (1,500 bar)

**Ball Valves**  
 to 21,000 psi (1,500 bar)

**Technical Information**

# MAXIMATOR®

## Medium Pressure Fittings Pressures to 21,000 psi (1,500 bar)

Fitting Pattern	Catalog Number	Connection Type	O.D. Tube Size in.	Orifice in. (mm)	Dimensions in. (mm)							Block Thickness
					A	B	C	D	E	F	G	
<b>Cross</b>												
	21X4M	4MF	1/4	0.106 (2.7)	0.77 (19.5)	1.54 (39.1)	1.54 (39.1)	0.77 (19.5)	0.49 (12.5)	0.98 (25)	0.22 (5.6)	0.63 (16)
	21X6M	6MF	3/8	0.201 (5.1)	1.00 (25.4)	2.00 (50.8)	2.00 (50.8)	1.00 (25.4)	0.63 (16)	1.26 (32)	0.26 (6.6)	0.79 (20.1)
	21X9M	9MF	9/16	0.307 (7.8)	1.25 (31.8)	2.50 (63.5)	2.50 (63.5)	1.25 (31.8)	0.84 (21.3)	1.67 (42.6)	0.33 (8.4)	1.02 (25.9)
	21X12M	12MF	3/4	0.438 (11.1)	1.50 (38.1)	3.00 (76)	3.00 (76)	1.50 (38.1)	1.00 (25.4)	2.00 (50.8)	0.35 (8.9)	1.38 (35)
	21X16M	16MF	1	0.562 (14.3)	2.06 (52.3)	4.13 (105)	4.13 (105)	2.06 (52.3)	1.38 (35)	2.76 (70)	0.53 (13.5)	1.77 (45)
<b>Straight Coupling / Union Coupling</b>												
	21F4M	4MF	1/4	0.106 (2.7)	1.62 (41.1)	0.69 (17.5)	Straight Coupling					
	21UF4M						Union Coupling					
	21F6M	6MF	3/8	0.201 (5.1)	1.75 (44.5)	0.88 (22.3)	Straight Coupling					
	21UF6M						Union Coupling					
	21F9M	9MF	9/16	0.307 (7.8)	2.12 (53.8)	1.06 (27)	Straight Coupling					
	21UF9M						Union Coupling					
	21F12M	12MF	3/4	0.438 (11.1)	2.50 (63.5)	1.44 (36.5)	Straight Coupling					
	21UF12M						Union Coupling					
	21F16M	16MF	1	0.562 (14.3)	3.50 (88.9)	2.00 (50.8)	Straight Coupling					
	21UF16M						Union Coupling					
<b>Bulkhead Coupling</b>												
	21BF4M	4MF	1/4	0.106 (2.7)	1.88 (47.8)	1.06 (27)	1.06 (27)	0.81 (20.6)	0.67 (17)			
	21BF6M	6MF	3/8	0.201 (5.1)	2.01 (51)	1.06 (27)	1.06 (27)	0.94 (23.9)	0.39 (9.9)			
	21BF9M	9MF	9/16	0.307 (7.8)	2.38 (60.5)	1.44 (36.5)	1.44 (36.5)	1.12 (28.5)	0.39 (9.9)			
	21BF12M	12MF	3/4	0.438 (11.1)	2.81 (71.4)	1.62 (41.3)	1.62 (41.3)	1.37 (34.8)	0.47 (11.9)			
	21BF16M	16MF	1	0.562 (14.3)	3.54 (89.9)	2.00 (50.8)	2.00 (50.8)	1.68 (42.6)	0.51 (13)			

All dimensions are for reference only and are subject to change.  
See page 2 in the Technical Section for pressure/temperature rating chart.

All technical and dimensional information subject to change. All general Terms and Conditions of sale, including limitations of our liability, apply to all products and services sold.

Sour Service Products  
Pipe Valves & Fittings  
to 15,200 psi (1,050 bar)

Adapters and Couplings  
Medium Pressure  
to 21,000 psi (1,500 bar)

Accessories  
High Pressure  
to 65,000 psi (4,500 bar)

Tools and Installation  
Ultra High Pressure  
to 152,000 psi (10,500 bar)

Technical Information  
Valve Actuators

Ball Valves  
to 21,000 psi (1,500 bar)

## Anti-Vibration Collet Gland Assembly Pressures to 21,000 psi (1,500 bar)

**MAXIMATOR** anti-vibration collet gland assemblies are for use in applications where there could be extreme external mechanical vibrations or shock in tubing lines. These collet gland assemblies are interchangeable with the standard medium pressure coned and threaded tube connections.

In a normal coned and threaded tube connection, any external mechanical loading on the tubing lines, valves or fittings would be concentrated on the first thread of the tube. This can cause failure of the tube at this thinner cross-section. The anti-vibration collet gland assembly grips the tube behind the connection, supporting the tube at the full cross-section and straight area, moving the loading away from the threaded area.

The back part of the assembly has a gland nut that, when tightened properly, compresses a split collet on the tube, providing the beneficial gripping action.

All anti-vibration collet gland assemblies come with a Molybdenum Disulfide Coating to guard against galling of the stainless components.



Gland Pattern	Catalog Number	Part	O.D. Tubing Size in.	Dimensions in. (mm)		
				A	B (Hex.)	C (Hex.)
	21AVA4M	Complete Assembly	1/4	1.27 (32.2)	0.50 (12.7)	0.62 (15.7)
	21AVB4M	Collet Body				
	21AVC4M	Slotted Collet				
	21AVG4M	Gland Nut				
	21AVA6M	Complete Assembly	3/8	1.54 (39.1)	0.62 (15.7)	0.81 (20.6)
	21AVB6M	Collet Body				
	21AVC6M	Slotted Collet				
	21AVG6M	Gland Nut				
	21AVA9M	Complete Assembly	9/16	1.82 (46.2)	0.94 (23.9)	0.94 (23.9)
	21AVB9M	Collet Body				
	21AVC9M	Slotted Collet				
	21AVG9M	Gland Nut				
	21AVA12M	Complete Assembly	3/4	2.01 (51)	1.19 (30.2)	1.25 (31.8)
	21AVB12M	Collet Body				
	21AVC12M	Slotted Collet				
	21AVG12M	Gland Nut				
21AVA16M	Complete Assembly	1	2.44 (62)	1.38 (35)	1.50 (38.1)	
21AVB16M	Collet Body					
21AVC16M	Slotted Collet					
21AVG16M	Gland Nut					

*All dimensions are for reference only and subject to change.*



# MAXIMATOR®

## Medium Pressure Tubing

Pressures to 21,000 psi (1,500 bar)

**MAXIMATOR** offers a line of cold drawn thick wall tubing, with flow areas to compliment the large orifice medium pressure valves and fittings. This tubing is made under strict manufacturing and quality control standards and inspections, with dimensional tolerances to match the requirements of the medium pressure coned and threaded connections.

The standard materials are 304 and 316 stainless steels. Other materials may be provided on special request, depending on the specific material, diameters and lengths.



### Tubing Tolerances

Normal Tubing Size in. (mm)	Tolerance O.D. in. (mm)
1/4 (6.35)	0.248 / 0.243 (6.299 / 6.172)
3/8 (9.53)	0.370 / 0.365 (9.398 / 9.271)
9/16 (14.29)	0.557 / 0.552 (14.147 / 14.021)
3/4 (19.05)	0.745 / 0.740 (18.923 / 18.796)
1 (25.4)	0.995 / 0.990 (25.273 / 25.174)

Catalog Number	Tube Material	Fits Connection Type	Tube Size in. (mm)		Working Pressure psi (bar)				
			O.D.	I.D.	-325 to 100°F (-198°C to 37°C)	200°F (93°C)	400°F (204°C)	600°F (315°C)	800°F (426°C)
21TU4M-316	316SS	4MF	1/4	0.109 (2.77)	21,000 (1,500)	18,900 (1,300)	17,430 (1,200)	15,960 (1,100)	15,120 (1,040)
21TU4M-304	304SS								
21TU6M-316	316SS	6MF	3/8	0.203 (5.17)	21,000 (1,500)	18,900 (1,300)	17,430 (1,200)	15,960 (1,100)	15,120 (1,040)
21TU6M-304	304SS								
21TU9M-316	316SS	9MF	9/16	0.312 (7.93)	21,000 (1,500)	18,900 (1,300)	17,430 (1,200)	15,960 (1,100)	15,120 (1,040)
21TU9M-304	304SS								
15TU9M-316	316SS	9MF	9/16	0.359 (9.12)	15,200 (1,050)	13,680 (940)	12,616 (870)	11,552 (790)	10,944 (750)
15TU9M-304	304SS								
21TU12M-316	316SS	12MF	3/4	0.438 (11.13)	21,000 (1,500)	18,900 (1,300)	17,430 (1,200)	15,960 (1,100)	15,120 (1,040)
15TU12M-316	316SS			0.516 (13.11)	15,200 (1,050)	13,680 (940)	12,616 (870)	11,552 (790)	10,944 (750)
21TU16M-316	316SS	16MF	1	0.562 (14.27)	21,000 (1,500)	18,900 (1,300)	17,430 (1,200)	15,960 (1,100)	15,120 (1,040)
15TU16M-316	316SS			0.688 (17.48)	15,200 (1,050)	13,680 (940)	12,616 (870)	11,552 (790)	10,944 (750)

All dimensions are for reference only and subject to change.

All technical and dimensional information subject to change. All general Terms and Conditions of sale, including limitations of our liability, apply to all products and services sold.

Sour Service  
Products  
Pipe Valves & Fittings  
to 15,200 psi (1,050 bar)

Adapters and  
Couplings  
Medium Pressure  
to 21,000 psi (1,500 bar)

Accessories  
High Pressure  
to 65,000 psi (4,500 bar)

Tools and  
Installation  
Ultra High Pressure  
to 152,000 psi (10,500 bar)

Technical  
Information  
Valve Actuators

Ball Valves  
to 21,000 psi (1,500 bar)

# MAXIMATOR®

## Coned and Threaded Nipples Pressures to 21,000 psi (1,500 bar)

Sour Service Products  
Pipe Valves & Fittings  
to 15,200 psi (1,050 bar)

Adapters and Couplings  
Medium Pressure  
to 21,000 psi (1,500 bar)

Accessories  
High Pressure  
to 65,000 psi (4,500 bar)

Tools and Installation  
Ultra High Pressure  
to 152,000 psi (10,500 bar)

Technical Information  
Valve Actuators

Ball Valves  
to 21,000 psi (1,500 bar)



**MAXIMATOR** offers a line of coned and threaded medium pressure tube nipples in a variety of lengths for all standard tube sizes.

The coned and threaded medium pressure tube nipples are available in 316 stainless steel.

They are also available in the 15,200 psi (**1,050 bar**) or 21,000 psi (**1,500 bar**) versions for the 9/16", 3/4" and 1" OD tube sizes. See chart below for ordering information.

Special length coned and threaded nipples are available upon request. Consult **MAXIMATOR** for availability and price.

Catalog Numbers are 316 Stainless Steel material							Fits Connection Type	Tube Size in. (mm)		Working Pressure at 100°F psi (bar)
2.75" (69.85) Length	3" (76.2) Length	4" (101.6) Length	6" (152.4) Length	8" (203.2) Length	10" (254) Length	12" (304.8) Length		O.D.	I.D.	
21N4M-2.75-316	21N4M-3-316	21N4M-4-316	21N4M-6-316	21N4M-8-316	21N4M-10-316	21N4M-12-316	4MF	1/4	0.109 (2.77)	21,000 (1,500)
	21N6M-3-316	21N6M-4-316	21N6M-6-316	21N6M-8-316	21N6M-10-316	21N6M-12-316	6MF	3/8	0.203 (5.17)	21,000 (1,500)
		21N9M-4-316	21N9M-6-316	21N9M-8-316	21N9M-10-316	21N9M-12-316	9MF	9/16	0.312 (7.93)	21,000 (1,500)
		15N9M-4-316	15N9M-6-316	15N9M-8-316	15N9M-10-316	15N9M-12-316	9MF	9/16	0.359 (9.12)	15,200 (1,050)
			21N12M-6-316	21N12M-8-316	21N12M-10-316	21N12M-12-316	12MF	3/4	0.438 (11.13)	21,000 (1,500)
			15N12M-6-316	15N12M-8-316	15N12M-10-316	15N12M-12-316	12MF	3/4	0.516 (13.11)	15,200 (1,050)
			21N16M-6-316	21N16M-8-316	21N16M-10-316	21N16M-12-316	16MF	1	0.562 (14.27)	21,000 (1,500)
			15N16M-6-316	15N16M-8-316	15N16M-10-316	15N16M-12-316	16MF	1	0.688 (17.48)	15,200 (1,050)

Standard nipples are not supplied with glands and collars, see Fittings on page 4 for these components.  
See adjacent Tubing page 6, for pressure/temperature rating chart.  
All dimensions are for reference only and subject to change.

All technical and dimensional information subject to change. All general Terms and Conditions of sale, including limitations of our liability, apply to all products and services sold.

## Check Valves

Pressures to 21,000 psi (1,500 bar)

### O-Ring Check Valves



### O-Ring Check Valves

**MAXIMATOR** o-ring check valves provide high quality directional flow control and tight shutoff for liquids and gases. All check valves are supplied with glands and collars. These check valves are not to be used as a relief device. The opening pressure of the O-Ring Check Valves is approx. 10 psi (1.5 bar).

#### Materials:

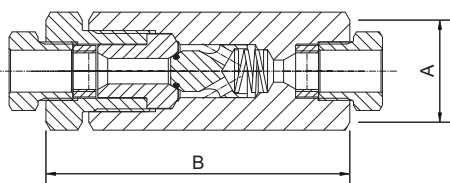
Body, cover, poppet, cover gland: 316 stainless steel

Spring: 300 series stainless steel

O-ring: Viton "A" [-4°F to 392°F (-20°C to 200°C)]

Valve Pattern	Catalog Number	Connection Type	Pressure Rating psi (bar)	Orifice in. (mm)	Rated (Cv)	Dimensions in. (mm)	
						A (Hex.)	B

### O-Ring Check Valves



<b>210C4M</b>	4MF	21,000 (1,500)	0.106 (2.7)	0.28	0.88 (22.3)	2.91 (73.9)
<b>210C6M</b>	6MF	21,000 (1,500)	0.201 (5.1)	0.84	1.06 (27)	3.31 (84.1)
<b>210C9M</b>	9MF	21,000 (1,500)	0.307 (7.8)	2.30	1.44 (36.5)	4.29 (109)
<b>210C12M</b>	12MF	21,000 (1,500)	0.438 (11.1)	4.70	2.00 (50.8)	5.46 (138.7)
<b>210C16M</b>	16MF	21,000 (1,500)	0.562 (14.3)	7.40	2.00 (50.8)	6.57 (166.9)

**CAUTION:** FREQUENT INSPECTIONS of O-Rings are necessary to ensure proper service of the check valve. O-Rings have shown satisfactory service life in testing, however different service conditions may lead to variations in cycle and shelf life.

All dimensions are for reference only and subject to change.

All technical and dimensional information subject to change. All general Terms and Conditions of sale, including limitations of our liability, apply to all products and services sold.

Sour Service Products  
Pipe Valves & Fittings  
to 15,200 psi (1,050 bar)

Adapters and Couplings  
Medium Pressure  
to 21,000 psi (1,500 bar)

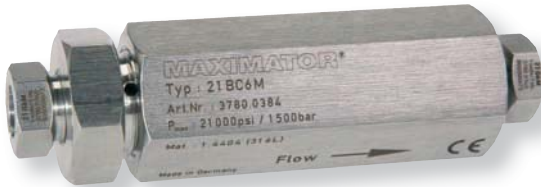
Accessories  
High Pressure  
to 65,000 psi (4,500 bar)

Tools and Installation  
Ultra High Pressure  
to 152,000 psi (10,500 bar)

Technical Information  
Valve Actuators

Ball Valves  
to 21,000 psi (1,500 bar)

### Ball Check Valves



### Ball Check Valves

MAXIMATOR ball check valves prevent reverse flow where bubble tight shutoff is not mandatory. These check valves are designed with a ball cradled floating poppet to assure positive inline seating. This poppet design allows full flow around the ball to minimize pressure drop. Check valves are rated to 660°F (350°C). All check valves are supplied with glands and collars. These check valves are not to be used as a relief device. The opening pressure of the Ball Check Valves is approx. 10 psi (1.5 bar).

#### Materials:

Body, cover, poppet, cover gland: 316L series stainless steel  
Ball and spring: 300 series stainless steel

Valve Pattern	Catalog Number	Connection Type	Pressure Rating psi (bar)	Orifice in. (mm)	Rated (Cv)	Dimensions in. (mm)	
						A (Hex.)	B
<b>Ball Check Valves</b>							
	21BC4M	4MF	21,000 (1,500)	0.106 (2.7)	0.28	0.88 (22.3)	2.91 (73.9)
	21BC6M	6MF	21,000 (1,500)	0.201 (5.1)	0.84	1.06 (27)	3.31 (84.1)
	21BC9M	9MF	21,000 (1,500)	0.307 (7.8)	2.30	1.44 (36.5)	4.29 (109)
	21BC12M	12MF	21,000 (1,500)	0.438 (11.1)	4.70	2.00 (50.8)	5.46 (138.7)
	21BC16M	16MF	21,000 (1,500)	0.562 (14.3)	7.40	2.00 (50.8)	6.57 (166.9)

All dimensions are for reference only and subject to change.

## Line Filters

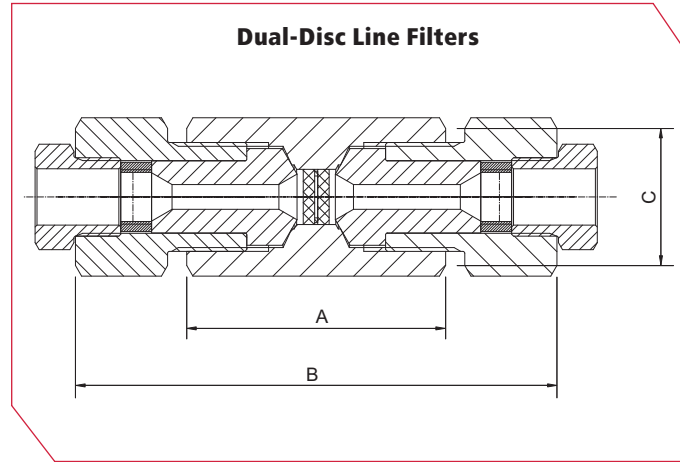
Pressures to 21,000 psi (1,500 bar)

### Dual-Disc Line Filters

MAXIMATOR dual-disc line filters are used to filter process fluids in high pressure systems. This design helps remove the large particles first through a coarse primary disc, which then allows a secondary disc to provide a smaller micron filtration. These filter elements are designed to withstand pressure surges without cracking, flaking, or rupturing. Filter elements come standard in the following micron sizes: 5/8, 8/30, 30/56 (secondary/primary). Filters are rated for temperatures -60°F to 660°F (-50°C to 350°C). All line filters come with glands and collars.

#### Materials:

Body, cover, cover gland: 316L series stainless steel  
Element: 316 stainless steel

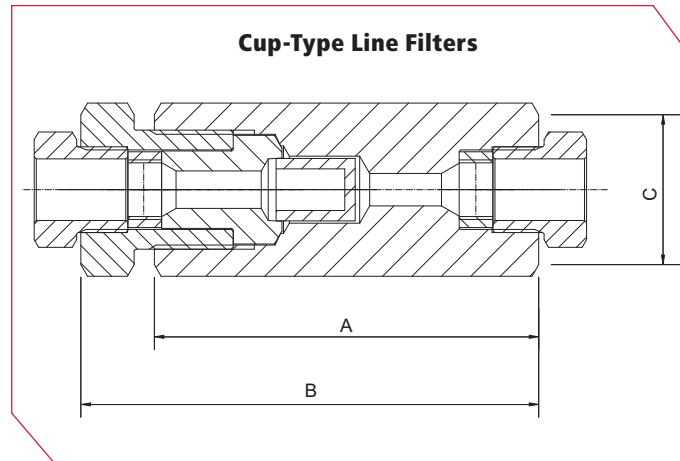


### Cup-Type Line Filters

MAXIMATOR cup-type line filters are used when maximum filtration surface area and a single micron size element is preferred. This design increases the filter area as much as 6 times the area of the disc type filter, and will permit higher flow rates with a lower pressure drop, and longer intervals between element changes. Filter elements come standard in 5, 30, or 56 micron sizes and are easily replaced. Filters are rated for temperatures -60°F to 660°F (-50°C to 350°C). All line filters come with glands and collars.

#### Materials:

Body, cover, cover gland: 316L series stainless steel  
Element: 316 stainless steel



Catalog Number	Pressure Rating psi (bar)	Orifice in. (mm)	Micron Size	Connection Type	Filter Element Area in. <sup>2</sup> (mm) <sup>2</sup>	Dimensions in. (mm)		
						A	B	C (Hex.)

Dual-Disc Line Filters								
21DF9M - 5/8	21,000 (1,500)	0.265 (6.5)	5/8	9MF	0.25 (160)	2.68 (68.1)	4.96 (126)	1.44 (36.5)
21DF9M - 8/30			8/30					
21DF9M - 30/56			30/56					

Cup-Type Line Filters								
21CF4M-5	21,000 (1,500)	0.106 (2.7)	5	4MF	0.82 (530)	2.38 (60.5)	2.87 (72.9)	0.88 (22.3)
21CF4M-30			30					
21CF4M-56			56					
21CF6M-5	21,000 (1,500)	0.201 (5.1)	5	6MF	0.82 (530)	2.83 (71.8)	3.35 (85.1)	1.06 (27)
21CF6M-30			30					
21CF6M-56			56					
21CF9M-5	21,000 (1,500)	0.307 (7.8)	5	9MF	1.55 (1,000)	3.63 (92.2)	4.33 (110)	1.44 (36.5)
21CF9M-30			30					
21CF9M-56			56					
21CF12M-5	21,000 (1,500)	0.438 (11.1)	5	12MF	6.14 (3,960)	5.75 (146)	6.57 (166.9)	2.00 (50.8)
21CF12M-30			30					
21CF12M-56			56					
21CF16M-5	21,000 (1,500)	0.562 (14.3)	5	16MF	6.14 (3,960)	5.75 (146)	6.57 (166.9)	2.00 (50.8)
21CF16M-30			30					
21CF16M-56			56					

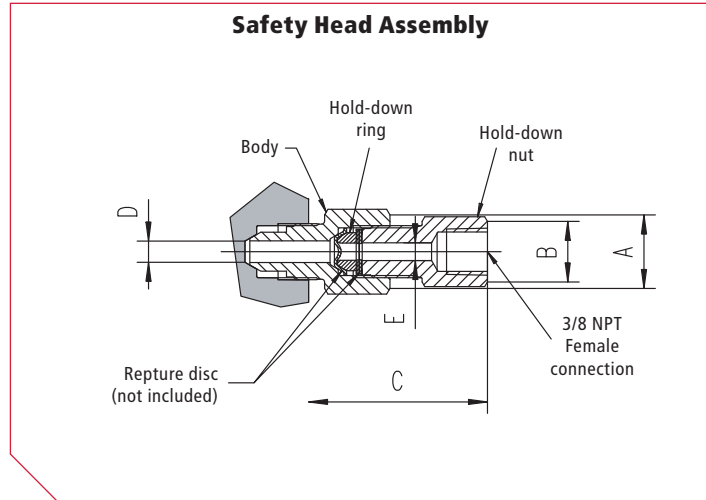
It is recommended that all fluids entering a high pressure system be thoroughly cleaned. Maximator filters are designed to remove small amounts of process particles. Pressure differential should not exceed 1000 psi across the filter elements.

All dimensions for reference only and are subject to change.

All technical and dimensional information subject to change. All general Terms and Conditions of sale, including limitations of our liability, apply to all products and services sold.

## Safety Head Assembly Pressures to 21,000 psi (1,500 bar)

MAXIMATOR safety head assemblies are used to provide over-pressure protection to high pressure systems. These safety head assemblies are to be used with the appropriate 1/4" angular rupture disc listed in the chart below.



Safety Head Assembly Catalog Number without Disc	Fits Connection Type	Pressure Rating psi (bar)	Body Torque ft - lbs. (Nm)	Dimensions in. (mm)				
				A (Hex.)	B (Hex.)	C (LG.)	D (I.D.)	E (I.D.)
21SH4M	4MF	21,000 (1,500)	20 (30)	1.06 (27)	0.88 (22.3)	2.48 (63)	0.109 (2.8)	0.250 (6.3)
21SH6M	6MF	21,000 (1,500)	30 (40)	1.06 (27)	0.88 (22.3)	2.72 (69.1)	0.203 (5.1)	0.250 (6.3)
21SH9M	9MF	21,000 (1,500)	55 (75)	1.06 (27)	0.88 (22.3)	2.51 (63.7)	0.255 (6.5)	0.250 (6.3)
21SH12M	12MF	21,000 (1,500)	90 (120)	1.19 (30.2)	0.88 (22.3)	2.72 (69.1)	0.255 (6.5)	0.250 (6.3)
21SH16M	16MF	21,000 (1,500)	150 (200)	1.44 (36.6)	0.88 (22.3)	2.72 (69.1)	0.255 (6.5)	0.250 (6.3)

All dimensions for reference only and are subject to change.

**Sour Service Products**  
 to 15,200 psi (1,050 bar)

**Adapters and Couplings**  
 to 21,000 psi (1,500 bar)

**Accessories**  
 to 65,000 psi (4,500 bar)

**Tools and Installation**  
 to 152,000 psi (10,500 bar)

**Technical Information**  
 Valve Actuators

**Ball Valves**  
 to 21,000 psi (1,500 bar)

# MAXIMATOR®

## 1/4" Angular Rupture Discs



1/4" angular seat rupture discs are designed to be used with the safety head assemblies that are shown above. Minimum rupture disc pressure ratings should be at least 110% of system operating pressure. The standard material is stainless steel. The pressure ranges indicated in the table below are at room temperature (72°F). Other materials and pressure ranges are available upon request.

Catalog Number	Pressure range psi (bar)
RD-1000	970 - 1,060 (66.9-73.1)
RD-1200	1,164 - 1,272 (80.3-87.7)
RD-1500	1,455 - 1,590 (99.7-109.7)
RD-1750	1,697 - 1,855 (117-127.9)
RD-2000	1,940 - 2,120 (133.8-146.2)
RD-2500	2,425 - 2,650 (167.2-182.8)
RD-3000	2,910 - 3,180 (200.7-219.3)
RD-3500	3,395 - 3,710 (234.1-255.9)
RD-4000	3,880 - 4,240 (267.6-292.4)
RD-4500	4,365 - 4,770 (301-329)
RD-5000	4,850 - 5,300 (334.5-365.5)

Catalog Number	Pressure range psi (bar)
RD-5500	5,335 - 5,830 (367.9-402.1)
RD-6000	5,820 - 6,360 (401.4-438.6)
RD-6500	6,305 - 6,890 (434.8-475.2)
RD-7000	6,790 - 7,420 (468.3 - 511.7)
RD-7500	7,275 - 7,950 (501.7-548.3)
RD-8000	7,760 - 8,480 (535.2 - 584.8)
RD-8500	8,245 - 9,010 (568.6 - 621.4)
RD-9000	8,730 - 9,540 (602.1 - 657.9)
RD-9500	9,215 - 10,070 (635.5 - 694.5)
RD-10000	9,700 - 10,600 (669 - 731)
RD-11000	10,670 - 11,660 (735.9 - 804.1)

Catalog Number	Pressure range psi (bar)
RD-12000	11,640 - 12,720 (802.8 - 877.2)
RD-13000	12,610 - 13,780 (869.7 - 950.3)
RD-14000	13,580 - 14,840 (936.6 - 1023.4)
RD-15000	14,550 - 15,900 (1,003.4 - 1,096.6)
RD-16000	15,520 - 16,960 (1,070.3 - 1,169.7)
RD-17000	16,490 - 18,020 (1,137.2 - 1,242.8)
RD-18000	17,460 - 19,080 (1,204.1 - 1,315.9)
RD-19000	18,430 - 20,140 (1,271 - 1,389)
RD-20000	19,400 - 21,200 (1,337.9 - 1,462.1)
RD-21000	20,370 - 22,260 (1,404.8 - 1,535.2)
RD-22000	21,340 - 23,320 (1,471.7 - 1,608.3)



Rupture Discs are individually packed and marked type plate.



All technical and dimensional information subject to change. All general Terms and Conditions of sale, including limitations of our liability, apply to all products and services sold.





## High Pressure Valves, Fittings and Tubing Pressures to 65,000 psi (4,500 bar)

**MAXIMATOR** has been designing and manufacturing high pressure equipment for more than thirty years and has a worldwide reputation for quality and reliability, backed by one of the best service organizations in the industry.

### High Pressure Valves feature:

- ▶ Rising stem design.
- ▶ 316 L (1.4404) wetted parts for excellent corrosion resistance.
- ▶ Metal-to-metal seating achieves bubble-tight shut-off, longer stem and seat life, greater durability for repeated open and close cycles.
- ▶ PTFE and carbon packing with metal back-up rings offers reliable stem to body sealing.
- ▶ Non-rotating stem prevents stem to seat galling.
- ▶ Stem sleeve and packing gland materials have been selected to achieve optimum thread cycle life and reduced handle torque. All stem sleeve threads are rolled, assuring smooth operation.
- ▶ Safety weep holes for all pressure connections and packing area.
- ▶ Six different valve body patterns, with choice of vee or regulating type stem tip.

**MAXIMATOR** offers a complete line of high pressure fittings, tubing, check valves, line filters, anti-vibration fittings and safety head assemblies. All high pressure valves and fittings use the high pressure style connection.

**Note:** When selecting multiple items, the pressure rating would be that of the lowest rated component.

### High Pressure Index

Valves rated to 36,000 psi (2,500 bar) ..	2-3
Valves rated to 65,000 psi (4,500 bar) ..	4-5
Fittings .....	6-7
Anti-Vibration Collet Gland Assemblies .....	8
Tubing .....	9
Coned and Threaded Nipples .....	10
Check Valves .....	11
Line Filters .....	12
Safety Head Assemblies and Rupture Discs .....	13-14

**Factory**      **MAXIMATOR GmbH**  
Lange Straße 6  
99734 Nordhausen  
Germany

Telephone: +49 (0) 3631 9533-0  
Facsimile: +49 (0) 3631 9533-5010  
E-Mail: info@maximator.de  
Internet: www.maximator.de

All technical and dimensional information subject to change. All general Terms and Conditions of sale, including limitations of our liability, apply to all products and services sold.

**Sour Service Products**  
 Pipe Valves & Fittings  
 to 15,200 psi (1,050 bar)

**Adapters and Couplings**  
 Medium Pressure  
 to 21,000 psi (1,500 bar)

**Accessories**  
 High Pressure  
 to 65,000 psi (4,500 bar)

**Tools and Installation**  
 Ultra High Pressure  
 to 152,000 psi (10,500 bar)

**Technical Information**  
 Valve Actuators

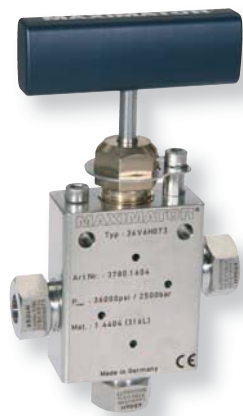
**Ball Valves**  
 to 21,000 psi (1,500 bar)



# MAXIMATOR®

## High Pressure Valves

Pressures to 36,000 psi (2,500 bar)



### Ordering Information

Typical catalog number: **36V4H071**

36V	4H	07	1	OPTIONS
-----	----	----	---	---------

Valve Series	O.D. Tube Size	Stem Type	Body Pattern	Extreme temperature option, see below.
36V	4H – 1/4" 6H – 3/8" 9H – 9/16"	07 – VEE stem 08 – regulating stem (tapered tip for regulating and shutoff) 87 – VEE stem with replaceable seat 88 – regulating stem with replaceable seat	1 – two-way straight 2 – two-way angle 3 – three-way, two on pressure 4 – three-way, one on pressure 5 – three-way, two-stem manifold	

### Special Designs for Extreme Temperatures

Standard valves are supplied with Teflon/Carbon packing and may be operated to 450°F (230°C). High temperature packing and/or extended stuffing box are available for service from -423°F to 1200°F (-217°C to 650°C) by adding the following suffixes to catalog order number.

- **TG** standard valve with teflon glass packing to 600°F (315°C).
- **GY** standard valve with graphite braided yarn packing to 800°F (425°C).
- **HT** extended stuffing box valve with graphite braided yarn packing to 1200°F (650°C).
- **B** standard valve with cryogenic trim materials and teflon packing to -100°F (-73°C).
- **LT** extended stuffing box valve with teflon packing and cryogenic trim materials to -423°F (-252°C).

### Repair Kits

Consult your **MAXIMATOR** representative for repair kits and valve bodies. Refer to the Tools and Installation section for proper maintenance procedures.

**MAXIMATOR** high pressure valves with metal to metal seats have a high level of safety and reliability under adverse operating conditions. These valves may be used both with gases and liquids.

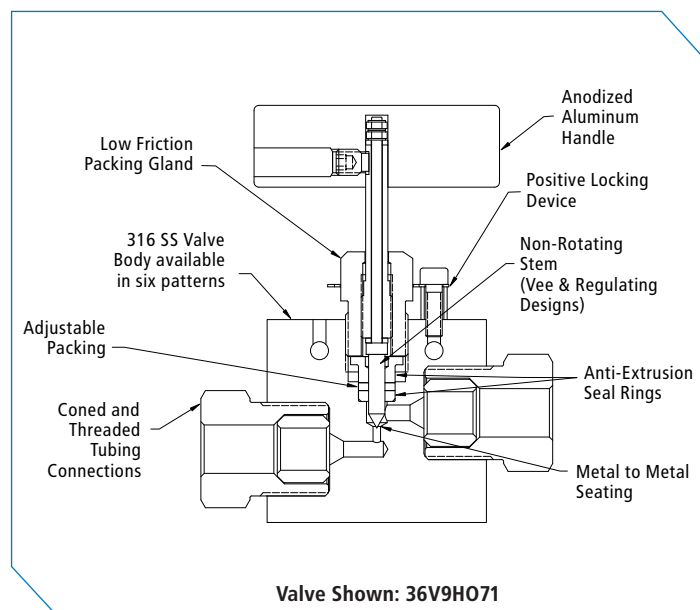
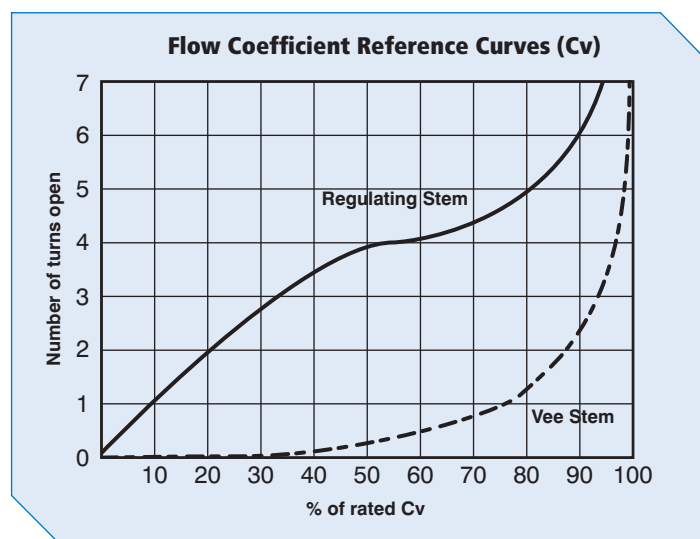
Traceability is ensured through extensively documented data (batch number, max. pressure, material number, type designation). All high pressure valves include glands and collars.

O.D. Size in. (mm)	Connection Type	Orifice Size in. (mm)	Rated Cv*	Pressure/Temp. Rating psi @ R.T.** (bar)
1/4 (6.35)	4HF	0.094 (2.3)	0.12	36,000 (2,500)
3/8 (9.53)	6HF	0.125 (3.2)	0.23	36,000 (2,500)
9/16 (14.30)	9HF	0.125 (3.2)	0.33	36,000 (2,500)

\* Cv values shown are for 2-way straight pattern vee stem valves.

For 2-way angle patterns, increase the Cv value by 50%.

\*\* See page 2 in the Technical Section for Pressure/Temperature Rating Chart.



Valve Shown: 36V9H071

All technical and dimensional information subject to change. All general Terms and Conditions of sale, including limitations of our liability, apply to all products and services sold.

**Sour Service Products**  
 Pipe Valves & Fittings  
 to 15,200 psi (1,050 bar)

**Adapters and Couplings**  
 Medium Pressure  
 to 21,000 psi (1,500 bar)

**Accessories**  
 High Pressure  
 to 65,000 psi (4,500 bar)

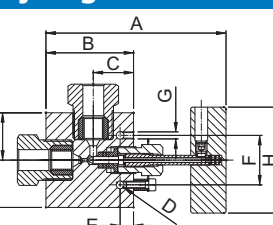
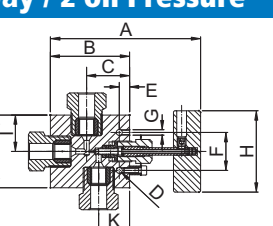
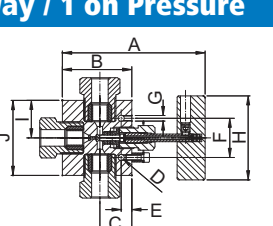
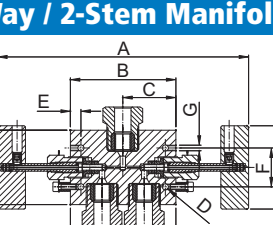
**Tools and Installation**  
 Ultra High Pressure  
 to 152,000 psi (10,500 bar)

**Technical Information**  
 Valve Actuators

**Ball Valves**  
 to 21,000 psi (1,500 bar)

# MAXIMATOR®

## High Pressure Valves Pressures to 36,000 psi (2,500 bar)

Valve Pattern	Catalog Number	Stem Type	O.D. Tube in.	Orifice in. (mm)	Dimensions in. (mm)										Valve Panel Hole	Block Thickness
					A	B	C	D	E	F	H	I	J	K		
<b>2-Way Straight</b>																
	36V4H071	Vee	1/4	0.094	4.76	2.01	1.50	0.22	0.37	1.38	2.95	1.12	2.01		1.00	1.02
	36V4H081	Reg		(2.3)	(121)	(51)	(38)	(5.6)	(9.5)	(35)	(75)	(28.5)	(51)		(25.4)	(25.9)
	36V6H071	Vee	3/8	0.125	4.76	2.01	1.50	0.22	0.37	1.38	2.95	1.12	2.01		1.00	1.02
	36V6H081	Reg		(3.2)	(121)	(51)	(38)	(5.6)	(9.5)	(35)	(75)	(28.5)	(51)		(25.4)	(25.9)
	36V9H071	Vee	9/16	0.125	5.20	2.44	1.56	0.22	0.37	1.38	2.95	1.12	2.64		1.00	1.54
	36V9H081	Reg		(3.2)	(132)	(62)	(39.6)	(5.6)	(9.5)	(35)	(75)	(28.5)	(57)		(25.4)	(39.1)
<b>2-Way Angle</b>																
	36V4H072	Vee	1/4	0.094	4.76	2.01	1.12	0.22	0.37	1.38	2.95	1.00	2.01		1.00	1.02
	36V4H082	Reg		(2.3)	(121)	(51)	(28.5)	(5.6)	(9.5)	(35)	(75)	(25.4)	(51)		(25.4)	(25.9)
	36V6H072	Vee	3/8	0.125	4.96	2.20	1.10	0.22	0.37	1.38	2.95	1.00	2.01		1.00	1.02
	36V6H082	Reg		(3.2)	(126)	(56)	(28)	(5.6)	(9.5)	(35)	(75)	(25.4)	(51)		(25.4)	(25.9)
	36V9H072	Vee	9/16	0.125	5.20	2.44	1.12	0.22	0.37	1.38	2.95	1.32	2.64		1.00	1.54
	36V9H082	Reg		(3.2)	(132)	(62)	(28.5)	(5.6)	(9.5)	(35)	(75)	(33.5)	(57)		(25.4)	(39.1)
<b>3-Way / 2 on Pressure</b>																
	36V4H073	Vee	1/4	0.094	4.89	2.13	1.50	0.22	0.37	1.38	2.95	1.00	2.01	1.12	1.00	1.02
	36V4H083	Reg		(2.3)	(124)	(54.1)	(38)	(5.6)	(9.5)	(35)	(75)	(25.4)	(51)	(28.5)	(25.4)	(25.9)
	36V6H073	Vee	3/8	0.125	5.26	2.50	1.50	0.22	0.37	1.38	2.95	1.00	2.01	1.12	1.00	1.02
	36V6H083	Reg		(3.2)	(133.5)	(63.5)	(38)	(5.6)	(9.5)	(35)	(75)	(25.4)	(51)	(28.5)	(25.4)	(25.9)
	36V9H073	Vee	9/16	0.125	5.63	2.87	1.56	0.22	0.37	1.38	2.95	1.32	2.64	1.12	1.00	1.54
	36V9H083	Reg		(3.2)	(143)	(72.9)	(39.6)	(5.6)	(9.5)	(35)	(75)	(33.5)	(57)	(28.5)	(25.4)	(39.1)
<b>3-Way / 1 on Pressure</b>																
	36V4H074	Vee	1/4	0.094	4.76	2.01	1.12	0.22	0.37	1.38	2.95	1.00	2.01		1.00	1.02
	36V4H084	Reg		(2.3)	(121)	(51)	(28.5)	(5.6)	(9.5)	(35)	(75)	(25.4)	(51)		(25.4)	(25.9)
	36V6H074	Vee	3/8	0.125	4.90	2.20	1.12	0.22	0.37	1.38	2.95	1.00	2.01		1.00	1.02
	36V6H084	Reg		(3.2)	(124.5)	(56)	(28.5)	(5.6)	(9.5)	(35)	(75)	(25.4)	(51)		(25.4)	(25.9)
	36V9H074	Vee	9/16	0.125	5.20	2.44	1.12	0.22	0.37	1.38	2.95	1.32	2.64		1.00	1.54
	36V9H084	Reg		(3.2)	(132)	(62)	(28.5)	(5.6)	(9.5)	(35)	(75)	(33.5)	(57)		(25.4)	(39.1)
<b>3-Way / 2-Stem Manifold</b>																
	36V4H075	Vee	1/4	0.094	8.54	3.07	1.54	0.22	0.37	1.38	2.95	1.00	2.01	1.12	1.00	1.02
	36V4H085	Reg		(2.3)	(217)	(78)	(39.1)	(5.6)	(9.5)	(35)	(75)	(25.4)	(51)	(28.5)	(25.4)	(25.9)
	36V6H075	Vee	3/8	0.125	8.72	3.25	1.63	0.22	0.37	1.38	2.95	1.00	2.01	1.12	1.00	1.02
	36V6H085	Reg		(3.2)	(221.5)	(82.5)	(41.5)	(5.6)	(9.5)	(35)	(75)	(25.4)	(51)	(28.5)	(25.4)	(25.9)
	36V9H075	Vee	9/16	0.125	9.21	3.74	1.88	0.22	0.37	1.38	2.95	1.32	2.64	1.12	1.00	1.54
	36V9H085	Reg		(3.2)	(234)	(95)	(47.8)	(5.6)	(9.5)	(35)	(75)	(33.5)	(57)	(28.5)	(25.4)	(39.1)
<b>2-Way Angle / Replaceable Seat</b>																
	36V4H872	Vee	1/4	0.094	4.96	2.38	1.12	0.22	0.37	1.38	2.95	1.00	2.01		1.00	1.02
	36V4H882	Reg		(2.3)	(126)	(60.5)	(28.5)	(5.6)	(9.5)	(35)	(75)	(25.4)	(51)		(25.4)	(25.9)
	36V6H872	Vee	3/8	0.125	4.96	2.38	1.12	0.22	0.37	1.38	2.95	1.00	2.01		1.00	1.02
	36V6H882	Reg		(3.2)	(126)	(60.5)	(28.5)	(5.6)	(9.5)	(35)	(75)	(25.4)	(51)		(25.4)	(25.9)
	36V9H872	Vee	9/16	0.125	4.93	2.44	1.18	0.22	0.37	1.38	2.95	1.32	2.64		1.00	1.54
	36V9H882	Reg		(3.2)	(125)	(62)	(30)	(5.6)	(9.5)	(35)	(75)	(33.5)	(57)		(25.4)	(39.1)

G - Panel mounting screw thread size 10-24 UNC (screw included).  
All dimensions are for reference only and subject to change.

All technical and dimensional information subject to change. All general Terms and Conditions of sale, including limitations of our liability, apply to all products and services sold.

**Sour Service Products**  
 to 15,200 psi (1,050 bar)

**Adapters and Couplings**  
 to 21,000 psi (1,500 bar)

**Medium Pressure**  
 to 21,000 psi (1,500 bar)

**High Pressure**  
 to 65,000 psi (4,500 bar)

**Accessories**  
 to 65,000 psi (4,500 bar)

**Tools and Installation**  
 to 152,000 psi (10,500 bar)

**Ultra High Pressure**  
 to 152,000 psi (10,500 bar)

**Technical Information**  
 to 152,000 psi (10,500 bar)

**Valve Actuators**  
 to 152,000 psi (10,500 bar)

**Ball Valves**  
 to 21,000 psi (1,500 bar)

# MAXIMATOR®

## High Pressure Valves

Pressures to 65,000 psi (4,500 bar)



### Ordering Information

Typical catalog number: **65V4H071**

65V	4H	07	1	OPTIONS
Valve Series	O.D. Tube Size	Stem Type	Body Pattern	Extreme temperature option, see below.
65V	4H – 1/4" 6H – 3/8" 9H – 9/16"	07 – VEE stem 08 – regulating stem (tapered tip for regulating and shutoff) 87 – VEE stem with replaceable seat 88 – regulating stem with replaceable seat	1 – two-way straight 2 – two-way angle 3 – three-way, two on pressure 4 – three-way, one on pressure 5 – three-way, two-stem manifold	

### Special Designs for Extreme Temperatures

Standard valves are supplied with Teflon/Carbon packing and may be operated to 450°F (230°C). High temperature packing and/or extended stuffing box are available for service from -423°F to 1200°F (-217°C to 650°C) by adding the following suffixes to catalog order number.

- **TG** standard valve with teflon glass packing to 600°F (315°C).
- **GY** standard valve with graphite braided yarn packing to 800°F (425°C).
- **HT** extended stuffing box valve with graphite braided yarn packing to 1200°F (650°C).
- **B** standard valve with cryogenic trim materials and teflon packing to -100°F (-73°C).
- **LT** extended stuffing box valve with teflon packing and cryogenic trim materials to -423°F (-252°C).

### Repair Kits

Consult your **MAXIMATOR** representative for repair kits and valve bodies. Refer to the Tools and Installation section for proper maintenance procedures.

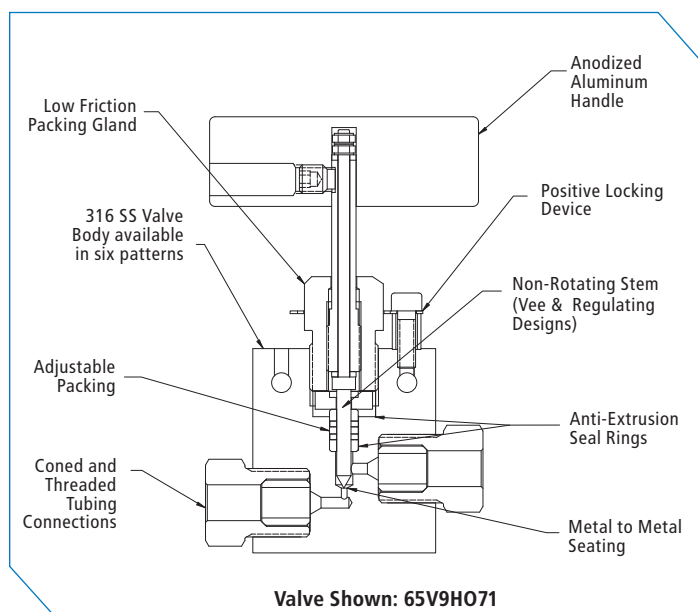
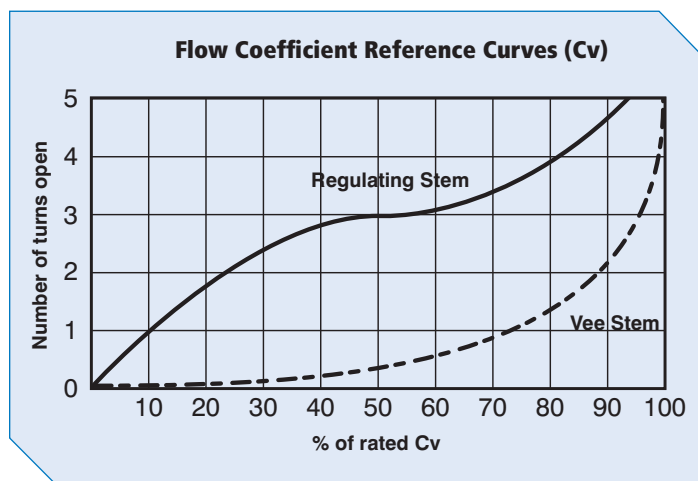
**MAXIMATOR** high pressure valves with metal to metal seats have a high level of safety and reliability under adverse operating conditions. These valves may be used both with gases and liquids.

Traceability is ensured through extensively documented data (batch number, maximum pressure, material number, type designation). All high pressure valves include glands and collars.

O.D. Size in. (mm)	Connection Type	Orifice Size in. (mm)	Rated Cv*	Pressure/Temp. Rating psi (bar) @ R.T.**
1/4 (6.35)	4HF	0.062 (1.6)	0.08	65,000 (4,500)
3/8 (9.53)	6HF	0.062 (1.6)	0.09	65,000 (4,500)
9/16 (14.30)	9HF	0.078 (2)	0.14	65,000 (4,500)

\* Cv values shown are for 2-way straight pattern vee stem valves.  
For 2-way angle patterns, increase the Cv value by 50%.

\*\* See page 2 in the Technical Section for Pressure/Temperature Rating Chart.



All technical and dimensional information subject to change. All general Terms and Conditions of sale, including limitations of our liability, apply to all products and services sold.

**Sour Service Products**  
 to 15,200 psi (1,050 bar)

**Adapters and Couplings**  
 to 21,000 psi (1,500 bar)

**Accessories**  
 to 65,000 psi (4,500 bar)

**Tools and Installation**  
 to 152,000 psi (10,500 bar)

**Technical Information**  
 to 21,000 psi (1,500 bar)

**Ball Valves**  
 to 21,000 psi (1,500 bar)

**High Pressure**  
 to 65,000 psi (4,500 bar)

**Medium Pressure**  
 to 21,000 psi (1,500 bar)

**Pipe Valves & Fittings**  
 to 15,200 psi (1,050 bar)

# MAXIMATOR®

## High Pressure Valves Pressures to 65,000 psi (4,500 bar)

Valve Pattern	Catalog Number	Stem Type	O.D. Tube in.	Orifice in. (mm)	Dimensions in. (mm)										Valve Panel Hole	Block Thickness
					A	B	C	D	E	F	H	I	J	K		
<b>2-Way Straight</b>																
	65V4H071	Vee	1/4	0.062	4.67	2.13	1.69	0.22	0.37	1.38	2.95	1.32	2.01		1.00	1.02
	65V4H081	Reg		(1.6)	(118.6)	(54.1)	(43)	(5.6)	(9.5)	(35)	(75)	(33.5)	(51)		(25.4)	(25.9)
	65V6H071	Vee	3/8	0.062	4.80	2.24	1.69	0.22	0.37	1.38	2.95	1.32	2.01		1.00	1.02
	65V6H081	Reg		(1.6)	(122)	(56.9)	(43)	(5.6)	(9.5)	(35)	(75)	(33.5)	(51)		(25.4)	(25.9)
	65V9H071	Vee	9/16	0.078	5.04	2.50	1.75	0.22	0.37	1.38	2.95	1.30	2.64		1.00	1.54
	65V9H081	Reg		(2)	(128)	(63.5)	(44.5)	(5.6)	(9.5)	(35)	(75)	(33)	(57)		(25.4)	(39.1)
<b>2-Way Angle</b>																
	65V4H072	Vee	1/4	0.062	4.96	2.38	1.34	0.22	0.37	1.38	2.95	1.00	2.01		1.00	1.02
	65V4H082	Reg		(1.6)	(126)	(60.5)	(34)	(5.6)	(9.5)	(35)	(75)	(25.4)	(51)		(25.4)	(25.9)
	65V6H072	Vee	3/8	0.062	5.16	2.62	1.32	0.22	0.37	1.38	2.95	1.00	2.01		1.00	1.02
	65V6H082	Reg		(1.6)	(131)	(66.5)	(33.5)	(5.6)	(9.5)	(35)	(75)	(25.4)	(51)		(25.4)	(25.9)
	65V9H072	Vee	9/16	0.078	5.35	2.80	1.32	0.22	0.37	1.38	2.95	1.32	2.64		1.00	1.54
	65V9H082	Reg		(2)	(136)	(71.1)	(33.5)	(5.6)	(9.5)	(35)	(75)	(33.5)	(57)		(25.4)	(39.1)
<b>3-Way / 2 on Pressure</b>																
	65V4H073	Vee	1/4	0.062	4.96	2.38	1.69	0.22	0.37	1.38	2.95	1.00	2.01	1.32	1.00	1.02
	65V4H083	Reg		(1.6)	(126)	(60.5)	(43)	(5.6)	(9.5)	(35)	(75)	(25.4)	(51)	(33.5)	(25.4)	(25.9)
	65V6H073	Vee	3/8	0.062	5.33	2.76	1.69	0.22	0.37	1.38	2.95	1.00	2.01	1.32	1.00	1.02
	65V6H083	Reg		(1.6)	(135.5)	(70.1)	(43)	(5.6)	(9.5)	(35)	(75)	(25.4)	(51)	(33.5)	(25.4)	(25.9)
	65V9H073	Vee	9/16	0.078	5.71	3.15	1.75	0.22	0.37	1.38	2.95	1.32	2.64	1.30	1.00	1.54
	65V9H083	Reg		(2)	(145)	(80)	(44.5)	(5.6)	(9.5)	(35)	(75)	(33.5)	(57)	(33)	(25.4)	(39.1)
<b>3-Way / 1 on Pressure</b>																
	65V4H074	Vee	1/4	0.062	4.96	2.38	1.32	0.22	0.37	1.38	2.95	1.00	2.01		1.00	1.02
	65V4H084	Reg		(1.6)	(126)	(60.5)	(33.5)	(5.6)	(9.5)	(35)	(75)	(25.4)	(51)		(25.4)	(25.9)
	65V6H074	Vee	3/8	0.062	5.16	2.62	1.32	0.22	0.37	1.38	2.95	1.00	2.01		1.00	1.02
	65V6H084	Reg		(1.6)	(131)	(66.5)	(33.5)	(5.6)	(9.5)	(35)	(75)	(25.4)	(51)		(25.4)	(25.9)
	65V9H074	Vee	9/16	0.078	5.35	2.80	1.32	0.22	0.37	1.38	2.95	1.32	2.64		1.00	1.54
	65V9H084	Reg		(2)	(136)	(71.1)	(33.5)	(5.6)	(9.5)	(35)	(75)	(33.5)	(57)		(25.4)	(39.1)
<b>3-Way / 2-Stem Manifold</b>																
	65V4H075	Vee	1/4	0.062	8.56	3.44	1.72	0.22	0.37	1.38	2.95	1.00	2.01	1.32	1.00	1.02
	65V4H085	Reg		(1.6)	(217.4)	(87.4)	(43.7)	(5.6)	(9.5)	(35)	(75)	(25.4)	(51)	(33.5)	(25.4)	(25.9)
	65V6H075	Vee	3/8	0.062	8.56	3.76	1.89	0.22	0.37	1.38	2.95	1.00	2.01	1.32	1.00	1.02
	65V6H085	Reg		(1.6)	(217.4)	(95.5)	(48)	(5.6)	(9.5)	(35)	(75)	(25.4)	(51)	(33.5)	(25.4)	(25.9)
	65V9H075	Vee	9/16	0.078	9.25	4.13	2.07	0.22	0.37	1.38	2.95	1.32	2.64	1.30	1.00	1.54
	65V9H085	Reg		(2)	(235)	(105)	(52.6)	(5.6)	(9.5)	(35)	(75)	(33.5)	(57)	(33)	(25.4)	(39.1)
<b>2-Way Angle / Replaceable Seat</b>																
	65V4H872	Vee	1/4	0.062	5.16	2.62	1.32	0.22	0.37	1.38	2.95	1.00	2.01		1.00	1.02
	65V4H882	Reg		(1.6)	(131)	(66.5)	(33.5)	(5.6)	(9.5)	(35)	(75)	(25.4)	(51)		(25.4)	(25.9)
	65V6H872	Vee	3/8	0.062	5.16	2.62	1.32	0.22	0.37	1.38	2.95	1.00	2.01		1.00	1.02
	65V6H882	Reg		(1.6)	(131)	(66.5)	(33.5)	(5.6)	(9.5)	(35)	(75)	(25.4)	(51)		(25.4)	(25.9)
	65V9H872	Vee	9/16	0.078	5.16	2.62	1.32	0.22	0.37	1.38	2.95	1.32	2.64		1.00	1.54
	65V9H882	Reg		(2)	(131)	(66.5)	(33.5)	(5.6)	(9.5)	(35)	(75)	(33.5)	(57)		(25.4)	(39.1)

G - Panel Mounting Screw Thread Size 10-24 UNC (screw included).  
All dimensions are for reference only and subject to change.

All technical and dimensional information subject to change. All general Terms and Conditions of sale, including limitations of our liability, apply to all products and services sold.

**Sour Service Products**  
 to 15,200 psi (1,050 bar)

**Adapters and Couplings**  
 to 21,000 psi (1,500 bar)

**High Pressure**  
 to 65,000 psi (4,500 bar)

**Ultra High Pressure**  
 to 152,000 psi (10,500 bar)

**Tools and Installation**

**Technical Information**

**Ball Valves**  
 to 21,000 psi (1,500 bar)

**Valve Actuators**

**Accessories**

**Medium Pressure**  
 to 21,000 psi (1,500 bar)

**Pipe Valves & Fittings**  
 to 15,200 psi (1,050 bar)

# MAXIMATOR®

## High Pressure Fittings Pressures to 65,000 psi (4,500 bar)

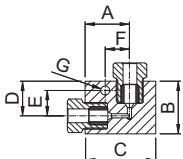
MAXIMATOR high pressure fittings are designed to be used with the 36V and 65V series high pressure valves and high pressure tubing. All high pressure fittings have coned and threaded type connections. Mounting holes are standard on all elbows, tees, and crosses.

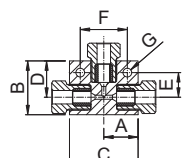
Tubing Size	Gland	Collar	Plug	Tubing Cap
1/4	65G4H	65C4H	65P4H	65TC4H
3/8	65G6H	65C6H	65P6H	65TC6H
9/16	65G9H	65C9H	65P9H	65TC9H

### Connection Components

All high pressure fittings are supplied with glands and collars. Refer to the adjacent chart for ordering any of the connection components individually. When using the plug, the collar is not needed.

Fitting Pattern	Catalog Number	Connection Type	O.D. Tube Size in.	Orifice in. (mm)	Dimensions in. (mm)							Block Thickness
					A	B	C	D	E	F	G	

Elbow												
	65L4H	4HF	1/4	0.094 (2.3)	0.89 (22.6)	1.02 (25.9)	1.54 (39.1)	0.63 (16)	0.46 (11.7)	0.65 (16.5)	0.22 (5.6)	1.02 (25.9)
	65L6H	6HF	3/8	0.125 (3.2)	1.26 (32)	1.50 (38.1)	2.01 (51)	0.98 (24.9)	0.72 (18.3)	0.69 (17.5)	0.26 (6.6)	1.02 (25.9)
	65L9H	9HF	9/16	0.188 (4.8)	1.89 (48)	1.89 (48)	2.64 (67)	1.10 (28)	0.83 (21.1)	0.94 (23.9)	0.33 (8.4)	1.54 (39.1)

Tee												
	65T4H	4HF	1/4	0.094 (2.3)	1.00 (25.4)	1.26 (32)	2.01 (51)	0.89 (22.6)	0.46 (11.7)	1.30 (33)	0.22 (5.6)	1.02 (25.9)
	65T6H	6HF	3/8	0.125 (3.2)	1.00 (25.4)	1.57 (39.9)	2.01 (51)	1.06 (26.9)	0.72 (18.3)	1.38 (35)	0.26 (6.6)	1.02 (25.9)
	65T9H	9HF	9/16	0.188 (4.8)	1.32 (33.5)	2.13 (54.1)	2.64 (67)	1.38 (35)	0.83 (21.1)	1.89 (48)	0.33 (8.4)	1.54 (39.1)

See page 2 in the Technical Section for pressure/temperature rating chart. All dimensions are for reference only and are subject to change.



Sour Service Products  
Pipe Valves & Fittings  
to 15,200 psi (1,050 bar)

Adapters and Couplings  
Medium Pressure  
to 21,000 psi (1,500 bar)

Accessories  
High Pressure  
to 65,000 psi (4,500 bar)

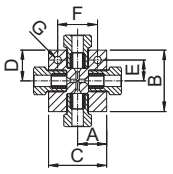
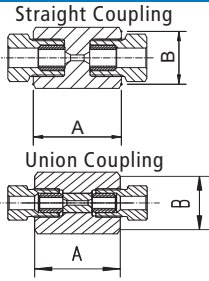
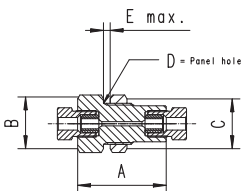
Tools and Installation  
Ultra High Pressure  
to 152,000 psi (10,500 bar)

Technical Information  
Valve Actuators

Ball Valves  
to 21,000 psi (1,500 bar)

# MAXIMATOR®

## High Pressure Fittings Pressures to 65,000 psi (4,500 bar)

Fitting Pattern	Catalog Number	Connection Type	O.D. Tube Size in.	Orifice in. (mm)	Dimensions in. (mm)							Block Thickness
					A	B	C	D	E	F	G	
<b>Cross</b>												
	65X4H	4HF	1/4	0.094 (2.3)	1.00 (25.4)	1.26 (32)	2.01 (51.1)	0.63 (16)	0.46 (11.7)	1.30 (33)	0.22 (5.6)	1.02 (25.9)
	65X6H	6HF	3/8	0.125 (3.2)	1.00 (25.4)	2.13 (54.1)	2.01 (51.1)	1.06 (27)	0.72 (18.3)	1.38 (35)	0.26 (6.6)	1.02 (25.9)
	65X9H	9HF	9/16	0.188 (4.8)	1.32 (33.5)	2.76 (70.1)	2.64 (67)	1.38 (35)	0.83 (21.1)	1.89 (48)	0.33 (8.4)	1.54 (39.1)
<b>Straight Coupling / Union Coupling</b>												
	65F4H	4HF	1/4	0.094 (2.3)	1.38 (35)	1.06 (27)	Straight Coupling					
	65UF4H						Union Coupling					
	65F6H	6HF	3/8	0.125 (3.2)	1.77 (45)	1.06 (27)	Straight Coupling					
	65UF6H						Union Coupling					
	65F9H	9HF	9/16	0.188 (4.8)	2.19 (55.6)	1.44 (36.6)	Straight Coupling					
	65UF9H						Union Coupling					
<b>Bulkhead Coupling</b>												
	65BF4H	4HF	1/4	0.094 (2.3)	1.89 (48)	1.06 (27)	1.06 (27)	0.94 (23.9)	0.16 (4)			
	65BF6H	6HF	3/8	0.125 (3.2)	2.38 (60.5)	1.44 (36.6)	1.44 (36.6)	1.12 (28.5)	0.35 (8.9)			
	65BF9H	9HF	9/16	0.188 (4.8)	2.76 (70.1)	1.63 (41.3)	1.63 (41.3)	1.43 (36.3)	0.67 (17)			

See page 2 in the Technical Section for pressure/temperature rating chart.  
All dimensions are for reference only and are subject to change.

Sour Service Products  
Pipe Valves & Fittings  
to 15,200 psi (1,050 bar)

Adapters and Couplings  
Medium Pressure  
to 21,000 psi (1,500 bar)

Accessories  
High Pressure  
to 65,000 psi (4,500 bar)

Tools and Installation  
Ultra High Pressure  
to 152,000 psi (10,500 bar)

Technical Information  
Valve Actuators

Ball Valves  
to 21,000 psi (1,500 bar)

## Anti-Vibration Collet Gland Assembly

Pressures to 65,000 psi (4,500 bar)

**MAXIMATOR** anti-vibration collet gland assemblies are for use in applications where there could be extreme external mechanical vibrations or shock in tubing lines. These collet gland assemblies are interchangeable with the standard high pressure coned and threaded tube connections.

In a normal coned and threaded tube connection, any external mechanical loading on the tubing lines, valves or fittings, would be concentrated on the first thread of the tube. This can cause failure of the tube at this thinner cross-section. The anti-vibration collet gland assembly grips the tube behind the connection, supporting the tube at the full cross-section and straight area, moving the loading away from the threaded area.

The anti-vibration collet gland assembly, when tightened properly, compresses a split collet on the tube, providing the beneficial gripping action.

All anti-vibration collet gland assemblies come with a Molybdenum Disulfide Coating to guard against galling of the stainless components.



Gland Pattern	Catalog Number	Part	O.D. Tubing Size in.	Dimensions in. (mm)	
				A	B (Hex.)
	65AVA4H	Complete Assembly	1/4	0.83 (21.1)	0.62 (15.7)
	65AVFC4H	Flat Collar			
	65AVC4H	Slotted Collet			
	65AVG4H	Gland Nut			
	65AVA6H	Complete Assembly	3/8	1.16 (29.5)	0.81 (20.6)
	65AVFC6H	Flat Collar			
	65AVC6H	Slotted Collet			
	65AVG6H	Gland Nut			
	65AVA9H	Complete Assembly	9/16	1.50 (38)	1.19 (30.2)
	65AVFC9H	Flat Collar			
	65AVC9H	Slotted Collet			
	65AVG9H	Gland Nut			

All dimensions are for reference only and are subject to change.

All technical and dimensional information subject to change. All general Terms and Conditions of sale, including limitations of our liability, apply to all products and services sold.

# MAXIMATOR®

## High Pressure Tubing Pressures to 65,000 psi (4,500 bar)

MAXIMATOR offers a line of cold drawn thick wall tubing, with flow areas to compliment the high pressure valves and fittings. This tubing is made under strict manufacturing and quality control standards and inspections, with dimensional tolerances to match the requirements of the high pressure coned and threaded connections.

The standard materials are 304 and 316 stainless steels. Other materials may be provided on special request, depending on the specific material, diameters and lengths.



### Tubing Tolerances

Normal Tubing Size in. (mm)	Tolerance O.D. in. (mm)
1/4 (6.35)	0.248 / 0.243 (6.299 / 6.172)
3/8 (9.53)	0.370 / 0.365 (9.398 / 9.271)
9/16 (14.29)	0.557 / 0.552 (14.148 / 14.021)

Catalog Number	Tube Material	Fits Connection Type	Tube Size in. (mm)		Working Pressure psi (bar)				
			O.D.	I.D.	-325 to 100°F (-198°C to 57°C)	200°F (93°C)	400°F (204°C)	600°F (315°C)	800°F (426°C)
65TU4H-316	316SS	4HF	1/4 (6.35)	0.083 (2.11)	65,000 (4,500)	58,500 (4,050)	53,950 (3,750)	49,400 (3,400)	46,800 (3,250)
65TU4H-304	304SS								
65TU6H-316	316SS	6HF	3/8 (9.53)	0.125 (3.18)	65,000 (4,500)	58,500 (4,050)	53,950 (3,750)	49,400 (3,400)	46,800 (3,250)
65TU6H-304	304SS								
65TU9H-316	316SS	9HF	9/16 (14.29)	0.188 (4.77)	65,000 (4,500)	58,500 (4,050)	53,950 (3,750)	49,400 (3,400)	46,800 (3,250)
65TU9H-304	304SS								
101TU4H-HP160	HP160	4HF	1/4 (6.35)	0.06 (1.59)	101,000 (7,000)	82,600 (5,740)	72,600 (5,040)	66,500 (4,620)	61,500 (4,270)
152TU6H-HP160	HP160	6HF	3/8 (9.53)	0.16 (3.97)	152,000 (10,500)	124,000 (8,650)	108,800 (7,560)	99,800 (6,930)	92,200 (6,400)

All dimensions are for reference only and are subject to change.

All technical and dimensional information subject to change. All general Terms and Conditions of sale, including limitations of our liability, apply to all products and services sold.

Sour Service  
Products  
Pipe Valves & Fittings  
to 15,200 psi (1,050 bar)

Adapters and  
Couplings  
Medium Pressure  
to 21,000 psi (1,500 bar)

Accessories  
High Pressure  
to 65,000 psi (4,500 bar)

Tools and  
Installation  
Ultra High Pressure  
to 152,000 psi (10,500 bar)

Technical  
Information  
Valve Actuators

Ball Valves  
to 21,000 psi (1,500 bar)



# MAXIMATOR®

## Coned and Threaded Nipples

Pressures to 65,000 psi (4,500 bar)



**MAXIMATOR** offers a line of coned and threaded high pressure tube nipples in a variety of lengths for all standard tube sizes.

The coned and threaded high pressure tube nipples are available in 316 stainless steel. See chart below for ordering information.

Special length coned and threaded nipples are available upon request. Consult **MAXIMATOR** for availability and price.

Catalog Numbers are 316 Stainless Steel material							Fits Connection Type	Tube Size in. (mm)		Working Pressure at 100°F psi (mm)
2.75" (69.85) Length	3" (76.2) Length	4" (101.6) Length	6" (152.4) Length	8" (203.2) Length	10" (254) Length	12" (304.8) Length		O.D.	I.D.	
65N4H-2.75-316	65N4H-3-316	65N4H-4-316	65N4H-6-316	65N4H-8-316	65N4H-10-316	65N4H-12-316	4HF	1/4	0.083 (2.11)	65,000 (4,500)
	65N6H-3-316	65N6H-4-316	65N6H-6-316	65N6H-8-316	65N6H-10-316	65N6H-12-316	6HF	3/8	0.125 (3.17)	65,000 (4,500)
		65N9H-4-316	65N9H-6-316	65N9H-8-316	65N9H-10-316	65N9H-12-316	9HF	9/16	0.188 (4.77)	65,000 (4,500)

Standard nipples are not supplied with glands and collars, see Fittings on page 6 for these components.

See adjacent Tubing page 8, for pressure/temperature rating chart.

All dimensions are for reference only and subject to change.

All technical and dimensional information subject to change. All general Terms and Conditions of sale, including limitations of our liability, apply to all products and services sold.

3999.1824 – DSB 09/2010

### O-Ring Check Valves



### O-Ring Check Valves

MAXIMATOR o-ring check valves provide high quality directional flow control and tight shutoff for liquids and gases. All check valves are supplied with glands and collars. These check valves are not to be used as a relief device. The opening pressure of the O-Ring Check Valves is approx. 10 psi (1.5 bar).

#### Materials:

Body, cover, poppet, cover gland: 316 stainless steel  
Spring: 300 series stainless steel  
O-ring: Viton "A" [-4°F to 392°F (-20°C to 200°C)]

### Ball Check Valves



### Ball Check Valves

MAXIMATOR ball check valves prevent reverse flow where bubble tight shutoff is not mandatory. These check valves are designed with a ball cradled floating poppet to assure positive inline seating. This poppet design allows full flow around the ball to minimize pressure drop. Check valves are rated to 660°F. (350°C). All check valves are supplied with glands and collars. These check valves are not to be used as a relief device. The opening pressure of the Ball Check Valves is approx. 10 psi (1.5 bar).

#### Materials:

Body, cover, poppet, cover gland: 316L series stainless steel  
Ball and spring: 300 series stainless steel

Valve Pattern	Catalog Number	Connection Type	Pressure Rating psi (bar)	Orifice in. (mm)	Rated (Cv)	Dimensions in. (mm)	
						A (Hex.)	B

### O-Ring Check Valves

	650C4H	4HF	65,000 (4,500)	0.094 (2.3)	0.15	1.19 (30.2)	3.40 (86.4)
	650C6H	6HF	65,000 (4,500)	0.125 (3.2)	0.28	1.19 (30.2)	3.81 (96.8)
	650C9H	9HF	65,000 (4,500)	0.188 (4.8)	0.63	1.63 (41.4)	4.61 (117.1)

### Ball Check Valves

	65BC4H	4HF	65,000 (4,500)	0.094 (2.3)	0.15	1.19 (30.2)	3.40 (86.4)
	65BC6H	6HF	65,000 (4,500)	0.125 (3.2)	0.28	1.19 (30.2)	3.81 (96.8)
	65BC9H	9HF	65,000 (4,500)	0.188 (4.8)	0.63	1.63 (41.3)	4.61 (117.1)

CAUTION: FREQUENT INSPECTIONS of O-Rings are necessary to ensure proper service of the check valve. O-Rings have shown satisfactory service life in testing, however different service conditions may lead to variations in cycle and shelf life.

All dimensions are for reference only and subject to change.

All technical and dimensional information subject to change. All general Terms and Conditions of sale, including limitations of our liability, apply to all products and services sold.

## Line Filters

Pressures to 65,000 psi (4,500 bar)

### Dual-Disc Line Filters

**MAXIMATOR** dual-disc line filters are used to filter process fluids in high pressure systems. This design helps remove the large particles first through a coarse primary disc, which then allows a secondary disc to provide a smaller micron filtration. These filter elements are designed to withstand pressure surges without cracking, flaking, or rupturing. Filter elements come standard in the following micron sizes: 5/8, 8/30, 30/56 (secondary/primary). Filters are rated for temperatures -60°F to 660°F (-50°C to 350°C). All line filters come with glands and collars.

#### Materials

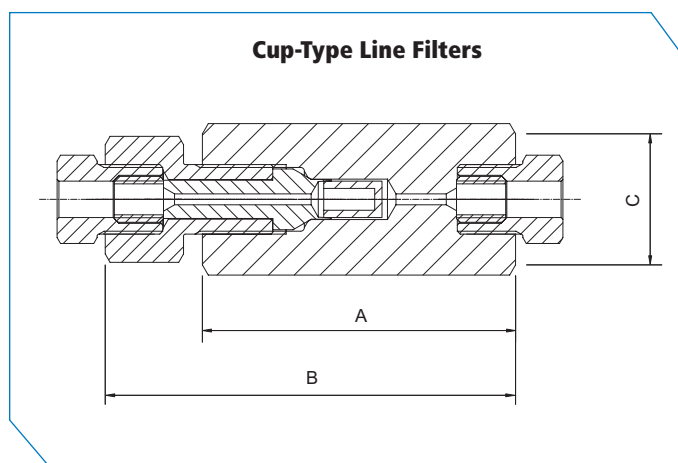
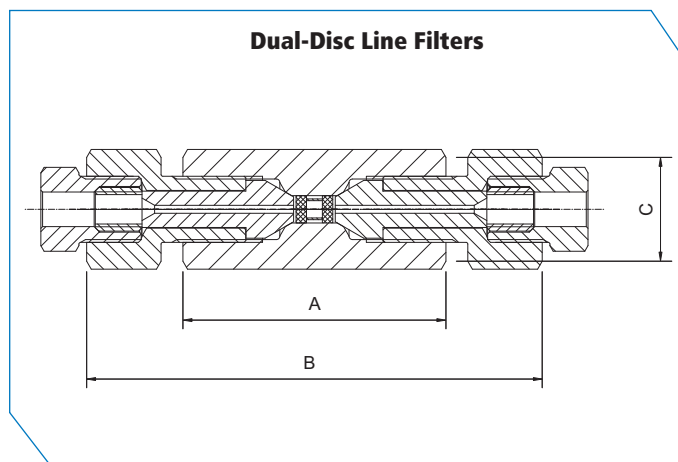
Body, cover, cover gland: 316 series stainless steel  
Element: 300 series stainless steel

### Cup-Type Line Filters

**MAXIMATOR** cup-type line filters are used when maximum filtration surface area and a single micron size element is preferred. This design increases the filter area as much as 6 times the area of the disc type filter, and will permit higher flow rates with a lower pressure drop, and longer intervals between element changes. Filter elements come standard in 5, 30, or 56 micron sizes and are easily replaced. Filters are rated for temperatures -60°F to 660°F (-50°C to 350°C). All line filters come with glands and collars.

#### Materials:

Body, cover, cover gland: 316 series stainless steel  
Element: 300 series stainless steel



Catalog Number	Pressure Rating psi (bar)	Orifice in. (mm)	Micron Size	Connection Type	Filter Element Area in. <sup>2</sup> (mm <sup>2</sup> )	Dimensions in. (mm)		
						A	B	C (Hex.)
<b>Dual-Disc Line Filters</b>								
65DF4H-5/8	65,000 (4,500)	0.094 (2.3)	5/8	4HF	0.07 (50)	2.99 (76)	4.8 (121.9)	1.19 (30.2)
65DF4H-8/30			8/30					
65DF4H-30/56			30/56					
65DF6H-5/8	65,000 (4,500)	0.125 (3.2)	5/8	6HF	0.07 (50)	2.99 (76)	5.29 (134.4)	1.19 (30.2)
65DF6H-8/30			8/30					
65DF6H-30/56			30/56					
65DF9H-5/8	65,000 (4,500)	0.188 (4.8)	5/8	9HF	0.15 (95)	3.39 (86.1)	5.75 (146)	1.44 (36.6)
65DF9H-8/30			8/30					
65DF9H-30/56			30/56					
<b>Cup-Type Line Filters</b>								
65CF4H-5	65,000 (4,500)	0.094 (2.3)	5	4HF	0.82 (530)	3.39 (86.1)	4.25 (108)	1.44 (36.6)
65CF4H-30			30					
65CF4H-56			56					
65CF6H-5	65,000 (4,500)	0.125 (3.2)	5	6HF	0.82 (530)	3.39 (86.1)	4.44 (112.8)	1.44 (36.6)
65CF6H-30			30					
65CF6H-56			56					
65CF9H-5	65,000 (4,500)	0.188 (4.8)	5	9HF	0.82 (530)	4.06 (103.1)	5.28 (134.1)	1.63 (41.3)
65CF9H-30			30					
65CF9H-56			56					

*It is recommended that all fluids entering a high pressure system be thoroughly cleaned. Maximator filters are designed to remove small amounts of process particles. Pressure differential should not exceed 1000 psi across the filter elements.*

*All dimensions for reference only and are subject to change.*

All technical and dimensional information subject to change. All general Terms and Conditions of sale, including limitations of our liability, apply to all products and services sold.

**Sour Service Products**  
 to 15,200 psi (1,050 bar)

**Adapters and Couplings**  
 to 21,000 psi (1,500 bar)

**Accessories**  
 to 65,000 psi (4,500 bar)

**Tools and Installation**  
 to 152,000 psi (10,500 bar)

**Technical Information**  
 to 21,000 psi (1,500 bar)

**Ball Valves**  
 to 21,000 psi (1,500 bar)

**Valve Actuators**

**High Pressure**  
 to 65,000 psi (4,500 bar)

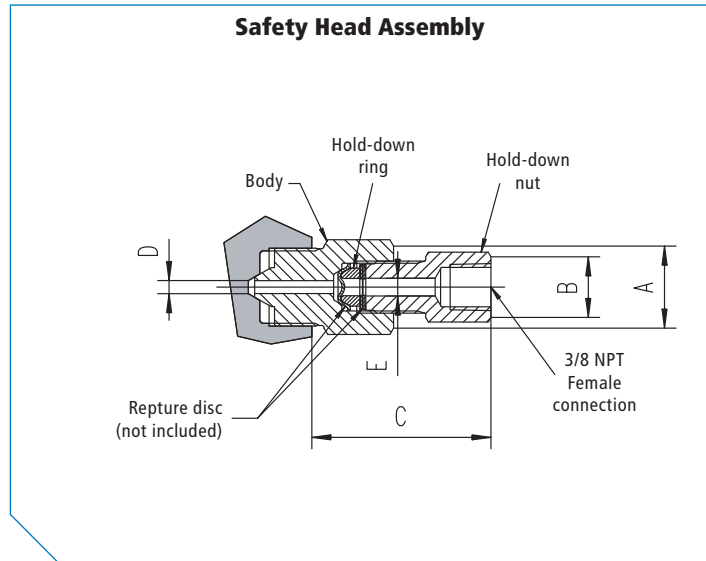
**Medium Pressure**  
 to 21,000 psi (1,500 bar)

**Pipe Valves & Fittings**  
 to 15,200 psi (1,050 bar)

# MAXIMATOR®

## Safety Head Assembly Pressures to 65,000 psi (4,500 bar)

MAXIMATOR safety head assemblies are used to provide over-pressure protection to high pressure systems. These safety head assemblies are to be used with the appropriate 1/4" angular rupture disc listed in the chart below.



Safety Head Assembly Catalog Number without Disc	Fits Connection Type	Pressure Rating psi (bar)	Body Torque ft - lbs. (Nm)	Dimensions in. (mm)				
				A (Hex.)	B (Hex.)	C (L.G.)	D (I.D.)	E (I.D.)
65SH4H	4HF	65,000 (4,500)	25 (35)	1.06 (26.9)	0.88 (22.4)	2.57 (65.3)	0.083 (2.31)	0.250 (6.3)
65SH6H	6HF	65,000 (4,500)	50 (70)	1.06 (26.9)	0.88 (22.4)	2.54 (64.5)	0.125 (3.2)	0.250 (6.3)
65SH9H	9HF	65,000 (4,500)	110 (150)	1.19 (30.2)	0.88 (22.4)	2.48 (63)	0.188 (4.7)	0.250 (6.3)

All dimensions are for reference only and are subject to change.

**Sour Service Products**  
 to 15,200 psi (1,050 bar)

**Adapters and Couplings**  
 to 21,000 psi (1,500 bar)

**Accessories**  
 to 65,000 psi (4,500 bar)

**Tools and Installation**  
 to 152,000 psi (10,500 bar)

**Technical Information**  
 Valve Actuators

**Ball Valves**  
 to 21,000 psi (1,500 bar)

# MAXIMATOR®

## 1/4" Angular Rupture Discs Pressures to 65,000 psi (4,500 bar)



1/4" angular seat rupture discs are designed to be used with the safety head assemblies that are shown above. Minimum rupture disc pressure ratings should be at least 110% of system operating pressure. The standard material is stainless steel. The pressure ranges indicated in the table below are at room temperature (72°F). Other materials and pressure ranges are available upon request.

Catalog Number	Pressure range psi (bar)	Catalog Number	Pressure range psi (mm)	Catalog Number	Pressure range psi (bar)	Catalog Number	Pressure range psi (bar)
RD-1200	1,164 - 1,272 (80.3 - 87.7)	RD-7000	6,790 - 7,420 (468.3 - 511.7)	RD-17000	16,490 - 18,020 (1,137.2 - 1,242.8)	RD-30000	29,100 - 31,800 (2,006.9 - 2,193.1)
RD-1500	1,455 - 1,590 (99.7 - 109.7)	RD-7500	7,275 - 7,950 (501.7 - 548.3)	RD-18000	17,460 - 19,080 (1,204.1 - 1,315.9)	RD-32500	31,525 - 34,450 (2,174.1 - 2,375.9)
RD-1750	1,697 - 1,855 (117 - 127.9)	RD-8000	7,760 - 8,480 (535.2 - 584.8)	RD-19000	18,430 - 20,140 (1,271 - 1,389)	RD-35000	33,950 - 37,100 (2,341.4 - 2,558.6)
RD-2000	1,940 - 2,120 (133.8 - 146.2)	RD-8500	8,245 - 9,010 (568.6 - 621.4)	RD-20000	19,400 - 21,200 (1,337.9 - 1,462.1)	RD-37500	36,375 - 39,750 (2,508.6 - 2,741.4)
RD-2500	2,425 - 2,650 (167.2 - 182.8)	RD-9000	8,730 - 9,540 (602.1 - 657.9)	RD-21000	20,370 - 22,260 (1,404.8 - 1,535.2)	RD-40000	38,880 - 42,400 (2,681.4 - 2,924.1)
RD-3000	2,910 - 3,180 (200.7 - 219.3)	RD-9500	9,215 - 10,070 (635.5 - 694.5)	RD-22000	21,340 - 23,320 (1,471.7 - 1,608.3)	RD-42500	41,255 - 45,050 (2,845.2 - 3,106.9)
RD-3500	3,395 - 3,710 (234.1 - 255.9)	RD-10000	9,700 - 10,600 (669 - 731)	RD-23000	22,310 - 24,380 (1,538.6 - 1,681.4)	RD-45000	43,650 - 47,700 (3,010.3 - 3,289.7)
RD-4000	3,880 - 4,240 (267.6 - 292.4)	RD-11000	10,670 - 11,660 (735.9 - 804.1)	RD-24000	23,280 - 25,440 (1,605.5 - 1,754.5)	RD-47500	46,075 - 50,350 (3,177.6 - 3,472.4)
RD-4500	4,365 - 4,770 (301 - 329)	RD-12000	11,640 - 12,720 (802.8 - 877.2)	RD-25000	24,250 - 26,500 (1,672.4 - 1,827.6)	RD-50000	48,500 - 53,000 (3,344.8 - 3,655.2)
RD-5000	4,850 - 5,300 (334.5 - 365.5)	RD-13000	12,610 - 13,780 (869.7 - 950.3)	RD-26000	25,220 - 27,560 (1,739.3 - 1,900.7)	RD-55000	53,350 - 58,300 (3,679.3 - 4,020.7)
RD-5500	5,335 - 5,830 (367.9 - 402.1)	RD-14000	13,580 - 14,840 (936.6 - 1023.4)	RD-27000	26,190 - 28,620 (1,806.2 - 1,973.8)	RD-60000	58,200 - 63,600 (4,013.8 - 4,386.2)
RD-6000	5,820 - 6,360 (401.4 - 438.6)	RD-15000	14,550 - 15,900 (1,003.4 - 1,096.6)	RD-28000	27,160 - 29,680 (1,873.1 - 2,046.9)	RD-67500	65,475 - 71,550 (4,515.5 - 4,934.5)
RD-6500	6,305 - 6,890 (434.8 - 475.2)	RD-16000	15,520 - 16,960 (1,070.3 - 1,169.7)	RD-29000	28,130 - 30,740 (1,940 - 2,120)	RD-70000	67,900 - 74,200 (4,682.8 - 5,117.2)



Rupture Discs are individually packed and marked type plate.



All technical and dimensional information subject to change. All general Terms and Conditions of sale, including limitations of our liability, apply to all products and services sold.





## Ultra High Pressure Valves, Fittings and Tubing Pressures to 152,000 psi (10,500 bar)

**MAXIMATOR** has been designing and manufacturing high pressure equipment for more than thirty years and has a worldwide reputation for quality and reliability, backed by one of the best service organizations in the industry.

### Pipe Valves feature:

- ▶ Rising stem design.
- ▶ HP160 wetted parts with a 17-4 PH stem provides excellent corrosion resistance.
- ▶ Metal-to-metal seating achieves bubble-tight shut-off, longer stem and seat life, greater durability for repeated open and close cycles.
- ▶ PTFE and carbon packing with metal back-up rings offers reliable stem to body sealing.
- ▶ Non-rotating stem prevents stem to seat galling
- ▶ Stem sleeve and packing gland materials have been selected to achieve optimum thread cycle life and reduced handle torque. All stem sleeve threads are rolled, assuring smooth operation.
- ▶ Safety weep holes for all pressure connections and packing areas.
- ▶ Three different valve body patterns, with vee type stem tip.

**MAXIMATOR** offers a complete line of high pressure valves, fittings and tubing.

**Note:** When selecting multiple items, the pressure rating would be that of the lowest rated component.

### Ultra High Pressure Index

Ultra High Pressure Fittings rated to 101,000 psi (7,000 bar) . . . . .	2
Tubing & Coned and Threaded Nipples rated to 101,000 psi (7,000 bar) . . . . .	4
Valves rated to 101,000 psi (7,000 bar) . . . . .	6
Fittings rated to 152,000 psi (10,500 bar) . . . . .	7
Tubing & Coned and Threaded Nipples rated to 152,000 psi (10,500 bar) . . . . .	8

**Factory**  
**MAXIMATOR GmbH**  
 Lange Straße 6  
 99734 Nordhausen  
 Germany

Telephone: +49 (0) 3631 9533-0  
 Facsimile: +49 (0) 3631 9533-5010  
 E-Mail: info@maximator.de  
 Internet: www.maximator.de

All technical and dimensional information subject to change. All general Terms and Conditions of sale, including limitations of our liability, apply to all products and services sold.

# MAXIMATOR®

## Ultra High Pressure Fittings

Pressures to 101,000 psi (7,000 bar)

MAXIMATOR high pressure fittings are designed to be used with the 36V and 65V series high pressure valves and high pressure tubing. All high pressure fittings have coned and threaded type connections. Mounting holes are standard on all elbows, tees, and crosses.

Tubing Size	Gland	Collar	Plug	Tubing Cap
1/4	101G4U	101C4U	101P4U	101TC4U
3/8	101G6U	101C6U	101P6U	101TC6U
9/16	101G9U	101C9U	101P9U	101TC9U

### Connection Components

All high pressure fittings are supplied with glands and collars. Refer to the adjacent chart for ordering any of the connection components individually. When using the plug, the collar is not needed.



Fitting Pattern	Catalog Number	Connection Type	O.D. Tube Size in.	Orifice in. (mm)	Dimensions in. (mm)							Block Thickness
					A	B	C	D	E	F	G	
<b>Elbow</b>												
	101L4U	4UF	1/4	0.094 (2.3)	0.89 (22.6)	1.02 (25.9)	1.54 (39.1)	0.63 (16)	0.46 (11.7)	0.65 (16.5)	0.22 (5.6)	1.02 (25.9)
	101L6U	6UF	3/8	0.125 (3.2)	1.26 (32)	1.50 (38.1)	2.01 (51)	0.98 (24.9)	0.72 (18.3)	0.69 (18.3)	0.26 (6.6)	1.02 (25.9)
	101L9U	9UF	9/16	0.188 (4.8)	1.89 (48)	1.89 (48)	2.64 (67)	1.10 (28)	0.83 (21.1)	0.94 (23.9)	0.33 (8.4)	1.54 (39.1)
<b>Tee</b>												
	101T4U	4UF	1/4	0.094 (2.3)	1.00 (25.4)	1.26 (32)	2.01 (51)	0.89 (22.6)	0.46 (11.7)	1.30 (33)	0.22 (5.6)	1.02 (25.9)
	101T6U	6UF	3/8	0.125 (3.2)	1.00 (25.4)	1.57 (39.9)	2.01 (51)	1.06 (26.9)	0.72 (18.3)	1.38 (35)	0.26 (6.6)	1.02 (25.9)
	101T9U	9UF	9/16	0.188 (4.8)	1.32 (33.5)	2.13 (54.1)	2.64 (67)	1.38 (35)	0.83 (21.1)	1.89 (48)	0.33 (8.4)	1.54 (39.1)

See page 2 in the Technical Section for pressure/temperature rating chart.  
All dimensions are for reference only and are subject to change.

All technical and dimensional information subject to change. All general Terms and Conditions of sale, including limitations of our liability, apply to all products and services sold.

3999.1825 – DSB 09/2010

**Sour Service Products**  
 Pipe Valves & Fittings  
 to 15,200 psi (1,050 bar)

**Adapters and Couplings**  
 Medium Pressure  
 to 21,000 psi (1,500 bar)

**Accessories**  
 High Pressure  
 to 65,000 psi (4,500 bar)

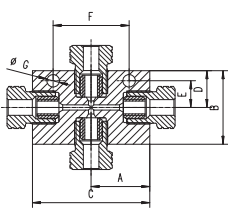
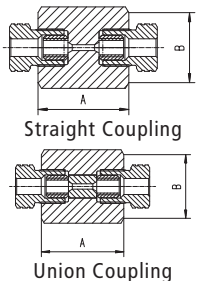
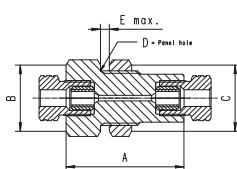
**Tools and Installation**  
 Ultra High Pressure  
 to 152,000 psi (10,500 bar)

**Technical Information**  
 Valve Actuators

**Ball Valves**  
 to 21,000 psi (1,500 bar)

# MAXIMATOR®

## Ultra High Pressure Fittings Pressures to 101,000 psi (7,000 bar)

Fitting Pattern	Catalog Number	Connection Type	O.D. Tube Size in.	Orifice in. (mm)	Dimensions in. (mm)							Block Thickness
					A	B	C	D	E	F	G	
<b>Cross</b>												
	101X4U	4UF	1/4	0.094 (2.3)	1.00 (25.4)	1.26 (32)	2.01 (51.1)	0.63 (16)	0.46 (11.7)	1.30 (33)	0.22 (5.6)	1.02 (25.9)
	101X6U	6UF	3/8	0.125 (3.2)	1.00 (25.4)	2.13 (54.1)	2.01 (51.1)	1.06 (27)	0.72 (18.3)	1.38 (35)	0.26 (6.6)	1.02 (25.9)
	101X9U	9UF	9/16	0.188 (4.8)	1.32 (33.5)	2.76 (70.1)	2.64 (67)	1.38 (35)	0.83 (21.1)	1.89 (48)	0.33 (8.4)	1.54 (39.1)
<b>Straight Coupling / Union Coupling</b>												
	101F4U	4UF	1/4	0.094 (2.3)	1.38 (35)	1.06 (27)	Straight Coupling					
	101UF4U						Union Coupling					
	101F6U	6UF	3/8	0.125 (3.2)	1.77 (45)	1.06 (27)	Straight Coupling					
	101UF6U						Union Coupling					
	101F9U	9UF	9/16	0.188 (4.8)	2.19 (55.6)	1.44 (36.6)	Straight Coupling					
	101UF9U						Union Coupling					
<b>Bulkhead Coupling</b>												
	101BF4U	4UF	1/4	0.094 (2.3)	1.89 (48)	1.06 (27)	1.06 (27)	0.94 (23.9)	0.16 (4)			
	101BF6U	6UF	3/8	0.125 (3.2)	2.38 (60.5)	1.44 (36.6)	1.44 (36.6)	1.12 (28.5)	0.35 (8.9)			
	101BF9U	9UF	9/16	0.188 (4.8)	2.76 (70.1)	1.63 (41.3)	1.63 (41.3)	1.43 (36.3)	0.67 (17)			

See page 2 in the Technical Section for pressure/temperature rating chart.  
All dimensions are for reference only and are subject to change.

Sour Service Products  
Pipe Valves & Fittings  
to 15,200 psi (1,050 bar)

Adapters and Couplings  
Medium Pressure  
to 21,000 psi (1,500 bar)

Accessories  
High Pressure  
to 65,000 psi (4,500 bar)

Tools and Installation  
Ultra High Pressure  
to 152,000 psi (10,500 bar)

Technical Information  
Valve Actuators

Ball Valves  
to 21,000 psi (1,500 bar)



# MAXIMATOR®

## Ultra High Pressure Tubing Pressures to 101,000 psi (7,000 bar)

MAXIMATOR offers a line of cold drawn thick wall tubing, with flow areas to compliment the ultra high pressure valves and fittings. This tubing is made under strict manufacturing and quality control standards and inspections, with dimensional tolerances to match the requirements of the ultra high pressure coned and threaded connections.

The standard material is HP160 stainless steels. Other materials may be provided on special request, depending on the specific material, diameters and lengths.



### Tubing Tolerances

Normal Tubing Size in. (mm)	Tolerance O.D. in. (mm)
1/4 (6.35)	0.248 / 0.243 (6.299 / 6.172)
3/8 (9.53)	0.370 / 0.365 (9.398 / 9.271)
9/16 (14.29)	0.557 / 0.552 (14.148 / 14.021)

Catalog Number	Tube Material	Fits Connection Type	Tube Size in. (mm)		Working Pressure psi (bar)				
			O.D.	I.D.	-325 to 100°F (-198°C to 57°C)	200°F (93°C)	400°F (204°C)	600°F (315°C)	800°F (426°C)
101TU4U-HP160	HP160	4UF	1/4 (6.35)	0.06 (1.59)	101,000 (7,000)	82,600 (5,740)	72,600 (5,040)	66,500 (4,620)	61,500 (4,270)
101TU6U-HP160	HP160	6UF	3/8 (9.53)	0.125 (3.20)	101,000 (7,000)	82,600 (5,740)	72,600 (5,040)	66,500 (4,620)	61,500 (4,270)
101TU9U-HP160	HP160	9UF	9/16 (14.29)	0.188 (4.77)	101,000 (7,000)	82,600 (5,740)	72,600 (5,040)	66,500 (4,620)	61,500 (4,270)

All dimensions are for reference only and subject to change.

All technical and dimensional information subject to change. All general Terms and Conditions of sale, including limitations of our liability, apply to all products and services sold.

3999.1825 – DSB 09/2010

Sour Service  
Products  
Pipe Valves & Fittings  
to 15,200 psi (1,050 bar)

Adapters and  
Couplings  
Medium Pressure  
to 21,000 psi (1,500 bar)

Accessories  
High Pressure  
to 65,000 psi (4,500 bar)

Tools and  
Installation  
Ultra High Pressure  
to 152,000 psi (10,500 bar)

Technical  
Information  
Valve Actuators

Ball Valves  
to 21,000 psi (1,500 bar)

# MAXIMATOR®

## Coned and Threaded Nipples

Pressures to 101,000 psi (7,000 bar)



**MAXIMATOR** offers a line of coned and threaded ultra high pressure tube nipples in a variety of lengths for all standard tube sizes.

The coned and threaded ultra high pressure tube nipples are available in 316 stainless steel. See chart below for ordering information.

Special length coned and threaded nipples are available upon request. Consult **MAXIMATOR** for availability and price.

Catalog Numbers are 316 Stainless Steel material							Fits Connection Type	Tube Size in. (mm)		Working Pressure at 100°F psi (mm)
2.75" (69.85) Length	3" (76.2) Length	4" (101.6) Length	6" (152.4) Length	8" (203.2) Length	10" (254) Length	12" (304.8) Length		O.D.	I.D.	
101N4U-2.75-HP160	101N4U-3-HP160	101N4U-4-HP160	101N4U-6-HP160	101N4U-8-HP160	101N4U-10-HP160	101N4U-12-HP160	4UF	1/4	0.06 (1.59)	101,000 (7,000)
	101N6U-3-HP160	101N6U-4-HP160	101N6U-6-HP160	101N6U-8-HP160	101N6U-10-HP160	101N6U-12-HP160	6UF	3/8	0.125 (3.20)	101,000 (7,000)
		101N9U-4-HP160	101N9U-6-HP160	101N9U-8-HP160	101N9U-10-HP160	101N9U-12-HP160	9UF	9/16	0.188 (4.77)	101,000 (7,000)

Standard nipples are not supplied with glands and collars, see Fittings on page 2 for these components.

See adjacent Tubing page 4, for pressure/temperature rating chart.

All dimensions are for reference only and subject to change.

Sour Service Products  
Pipe Valves & Fittings  
to 15,200 psi (1,050 bar)

Adapters and Couplings  
Medium Pressure  
to 21,000 psi (1,500 bar)

Accessories  
High Pressure  
to 65,000 psi (4,500 bar)

Tools and Installation  
Ultra High Pressure  
to 152,000 psi (10,500 bar)

Technical Information  
Valve Actuators

Ball Valves  
to 21,000 psi (1,500 bar)

# MAXIMATOR®

## Ultra High Pressure Valves Pressures to 101,000 psi (7,000 bar)



### Ordering Information

Typical catalog number: **101V5U071**

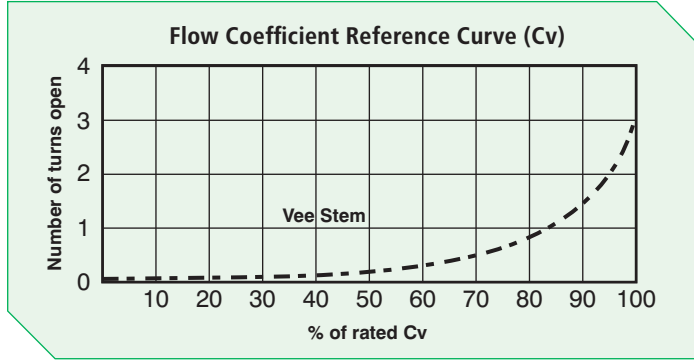
101V	5U	07	1
------	----	----	---

Valve Series	O.D. Tube Size	Stem Type	Body Pattern
101V	5U – 5/16"	07 – VEE stem	1 – two-way straight 2 – two-way angle 3 – three-way, two on pressure

O.D. Size in. (mm)	Connection Type	Orifice Size in. (mm)	Rated Cv*	Pressure/Temp. Rating psi (bar) @ R.T. **
5/16 (7.94)	5UF	0.062 (1.58)	0.09	101,000 (10,500)

\* Cv values shown are for 2-way straight pattern vee stem valves.  
For 2-way angle patterns, increase the Cv value by 50%

\*\* See page 2 in the Technical Section for Pressure/Temperature Rating Chart.



### Temperature Ranges

Standard valves are supplied with Teflon/Carbon packing and may be operated to 450°F (230°C). Consult **MAXIMATOR** for higher temperature packing ratings.

Valve Pattern	Catalog Number	Stem type	O.D. Tube in.	Orifice in. (mm)	Dimensions in. (mm)										Valve Panel Hole	Block Thickness
					A	B	C	D	E	F	H	I	J	K		

#### 2-Way Straight

	101V5U071	Vee	5/16	0.062 (1.6)	5.43 (138.3)	2.24 (57)	1.75 (44.5)	0.33 (8.4)	0.51 (13)	1.77 (45)	3.94 (100)	1.44 (36.6)	3.03 (77)	1.12 (28.5)	1.26 (32)
--	-----------	-----	------	----------------	-----------------	--------------	----------------	---------------	--------------	--------------	---------------	----------------	--------------	----------------	--------------

#### 2-Way Angle

	101V5U072	Vee	5/16	0.062 (1.6)	6.18 (157)	2.99 (76)	1.44 (36.6)	0.33 (8.4)	0.51 (13)	1.97 (50)	3.94 (100)	1.50 (38.1)	2.28 (57.9)	0.51 (13)	1.12 (28.5)	1.26 (32)
--	-----------	-----	------	----------------	---------------	--------------	----------------	---------------	--------------	--------------	---------------	----------------	----------------	--------------	----------------	--------------

#### 3-Way / 2 on Pressure

	101V5U073	Vee	5/16	0.062 (1.6)	6.44 (163.6)	3.25 (82.6)	1.75 (44.5)	0.33 (8.4)	0.51 (13)	1.77 (45)	3.94 (100)	1.52 (38.6)	3.03 (77)	1.44 (36.6)	1.12 (28.5)	1.26 (32)
--	-----------	-----	------	----------------	-----------------	----------------	----------------	---------------	--------------	--------------	---------------	----------------	--------------	----------------	----------------	--------------

G - Panel mounting screw size 10-24 UNC (screw included).  
All dimensions are for reference only and subject to change.

All technical and dimensional information subject to change. All general Terms and Conditions of sale, including limitations of our liability, apply to all products and services sold.

**Sour Service Products**  
 to 15,200 psi (1,050 bar)

**Adapters and Couplings**  
 to 21,000 psi (1,500 bar)

**Accessories**  
 to 65,000 psi (4,500 bar)

**Tools and Installation**  
 to 152,000 psi (10,500 bar)

**Technical Information**  
 to 152,000 psi (10,500 bar)

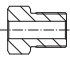
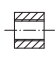
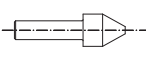
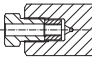
**Ball Valves**  
 to 21,000 psi (1,500 bar)

# MAXIMATOR®

## Ultra High Pressure Fittings Pressures to 152,000 psi (10,500 bar)

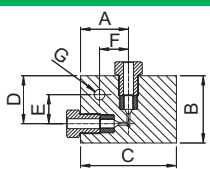
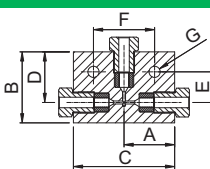
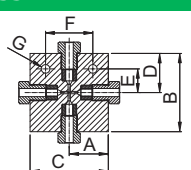
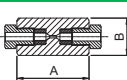
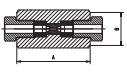
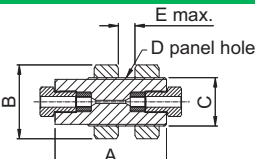
**MAXIMATOR** ultra high pressure fittings are designed to be used with the 101V series ultra high pressure valves and ultra high pressure tubing. All ultra high pressure fittings have coned and threaded type connections and are supplied with glands and collars. Mounting holes are standard on all elbows, tees, and crosses.



Tubing Size	Gland	Collar	Plug	Tubing Cap
$5/16$				
	<b>152G5U</b>	<b>152C5U</b>	<b>152P5U</b>	<b>152TC5U</b>

### Connection Components

All ultra high pressure fittings are supplied with glands and collars. Refer to the adjacent chart for ordering any of the connection components individually. When using the plug, the collar is not needed.

Fitting Pattern	Catalog Number	Connection Type	O.D. Tube Size in.	Orifice in. (mm)	Dimensions in. (mm)							Block Thickness
					A	B	C	D	E	F	G	
<b>Elbow</b>												
	<b>152L5U</b>	5UF	$5/16$	0.094 (2.4)	1.52 (38.6)	2.13 (54.1)	3.03 (77)	1.52 (38.6)	0.92 (23.4)	0.92 (23.4)	0.33 (8.4)	1.26 (32)
<b>Tee</b>												
	<b>152T5U</b>	5UF	$5/16$	0.094 (2.4)	1.52 (38.6)	2.13 (54.1)	3.03 (77)	1.52 (38.6)	0.92 (23.4)	1.83 (46.5)	0.33 (8.4)	1.26 (32)
<b>Cross</b>												
	<b>152X5U</b>	5UF	$5/16$	0.094 (2.4)	1.52 (38.6)	3.03 (77)	3.03 (77)	1.52 (38.6)	0.92 (23.4)	1.83 (46.5)	0.33 (8.4)	1.26 (32)
<b>Straight Coupling / Union Coupling</b>												
	<b>152F5U</b>	5UF	$5/16$	0.094 (2.4)	2.64 (67.1)	1.19 (30.2)	Straight Coupling					
	<b>152UF5U</b>						Union Coupling					
<b>Bulkhead Coupling</b>												
	<b>152BF5U</b>	5UF	$5/16$	0.094 (2.4)	3.27 (83.1)	2.17 (55.1)	1.42 (36.1)	1.43 (36.3)	0.87 (22.1)			

See page 2 in the Technical Section for pressure/temperature rating chart.  
All dimensions for reference only and are subject to change.

All technical and dimensional information subject to change. All general Terms and Conditions of sale, including limitations of our liability, apply to all products and services sold.

**Sour Service Products**  
 to 15,200 psi (1,050 bar)

**Adapters and Couplings**  
 to 21,000 psi (1,500 bar)

**High Pressure Accessories**  
 to 65,000 psi (4,500 bar)

**Ultra High Pressure Installation**  
 to 152,000 psi (10,500 bar)

**Technical Information**  
 Valve Actuators

**Ball Valves**  
 to 21,000 psi (1,500 bar)

# MAXIMATOR®

## Ultra High Pressure Tubing & Threaded Nipples

Pressures to 152,000 psi (10,500 bar)

**MAXIMATOR** offers a line of cold drawn thick wall tubing, with flow areas to compliment the ultra high pressure valve and fitting line. This tubing is made under strict manufacturing and quality control standards and inspections, with dimensional tolerances to match the requirements of the ultra high pressure coned and threaded connections. The standard material is 316 stainless steel.



### Tubing Tolerances

Normal Tubing Size in. (mm)	Tolerance O.D. in. (mm)
5/16 (7.94)	0.310 / 0.306 (7.874 / 7.72)

Catalog Number	Tube Material	Fits Connection Type	Tube Size in. (mm)		Working Pressure psi (bar)				
			O.D.	I.D.	-325 to 100°F (-198°C to 37°C)	200°F (93°C)	400°F (204°C)	600°F (315°C)	800°F (426°C)
152TU5U-316	316SS	5UF	5/16 (7.94)	0.062 (1.58)	152,000 (10,500)	136,800 (9,500)	126,160 (8,700)	115,520 (8,000)	109,44 (7,600)
152TU5U-HP160	HP160	5UF	5/16 (7.94)	0.062 (1.58)	152,000 (10,500)	124,000 (8,600)	108,800 (7,560)	99,800 (6,930)	92,200 (6,400)

All dimensions are for reference only and subject to change.

## Coned and Threaded Nipples

**MAXIMATOR** offers a line of coned and threaded ultra high pressure tube nipples in a variety of lengths.

The coned and threaded ultra high pressure tube nipples are available in 316 stainless steel. See chart below for ordering information.

Special length coned and threaded nipples are available upon request. Consult **MAXIMATOR** for availability and price.



Catalog Numbers are 316 Stainless Steel material					Fits Connection Type	Tube Size in. (mm)		Working Pressure at 100°F psi (bar)
4" (101.6) Length	6" (152.4) Length	8" (203.2) Length	10" (254) Length	12" (304.8) Length		O.D.	I.D.	
152N5U-4-316	152N5U-6-316	152N5U-8-316	152N5U-10-316	152N5U-12-316	5UF	5/16 (7.94)	0.062 (1.58)	152,000 (10,500)

Standard nipples are not supplied with glands and collars, see Fittings on page 3 for these components.

See the above chart for Pressure/Temperature Rating.

All dimensions are for reference only and subject to change.

All technical and dimensional information subject to change. All general Terms and Conditions of sale, including limitations of our liability, apply to all products and services sold.

**Sour Service Products**  
 Pipe Valves & Fittings  
 to 15,200 psi (1,050 bar)

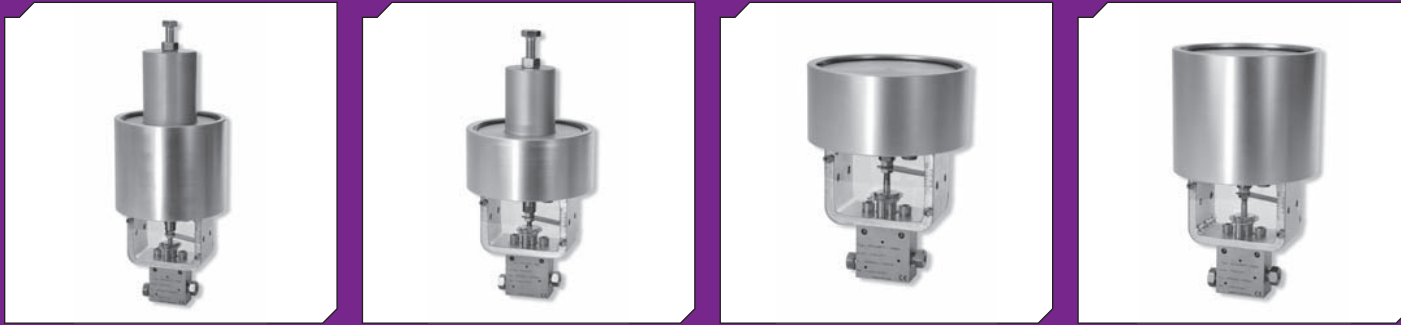
**Adapters and Couplings**  
 Medium Pressure  
 to 21,000 psi (1,500 bar)

**Accessories**  
 High Pressure  
 to 65,000 psi (4,500 bar)

**Tools and Installation**  
 Ultra High Pressure  
 to 152,000 psi (10,500 bar)

**Technical Information**  
 Valve Actuators

**Ball Valves**  
 to 21,000 psi (1,500 bar)



## Valve Actuators

**MAXIMATOR** air operated valve actuators are piston type design, and are mounted on a manual valve to provide remote control capability. There are two air to open actuators and two air to close actuators available, and selection is based on the valve size, system pressure, and air pressure available.

### Valves Actuator features:

- ▶ Piston style valve actuator design offers dependable operation and longer actuator cycle life.
- ▶ Two different size actuators are available to cover varying plant air supplies.
- ▶ Actuators are made of anodized aluminum, which provides good corrosion resistance.
- ▶ Actuators are available in normally open or normally closed configuration.

**MAXIMATOR** offers a complete line of high pressure valves, fittings and tubing to compliment the valve actuator line.

**Note:** When selecting multiple items, the pressure rating would be that of the lowest rated component.

### Valve Actuators Index

Air to Close / Normally Open . . . . . 2-3  
Air to Open / Normally Closed . . . . . 4-6

**Factory**  
**MAXIMATOR GmbH**  
Lange Straße 6  
99734 Nordhausen  
Germany

Telephone: +49 (0) 3631 9533-0  
Facsimile: +49 (0) 3631 9533-5010  
E-Mail: info@maximator.de  
Internet: www.maximator.de

All technical and dimensional information subject to change. All general Terms and Conditions of sale, including limitations of our liability, apply to all products and services sold.

Sour Service  
Products  
Pipe Valves & Fittings  
to 15,200 psi (1,050 bar)

Adapters and  
Couplings  
Medium Pressure  
to 21,000 psi (1,500 bar)

Accessories  
High Pressure  
to 65,000 psi (4,500 bar)

Tools and  
Installation  
Ultra High Pressure  
to 152,000 psi (10,500 bar)

Technical  
Information  
Valve Actuators

Ball Valves  
to 21,000 psi (1,500 bar)

# MAXIMATOR®

## Valve Actuators

Air to Close, Normally Open

### Order Information

Select the basic manual valve from the appropriate pressure section, then add the actuator suffix number to the end of the manual valve catalog number.

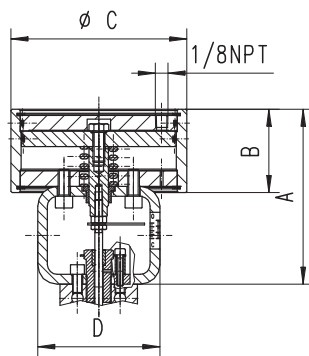
Example: 21V4M071-**YMNO**, medium duty actuator, normally open. This valve can be operated at 21,000 psi with an air supply of 100 psi to the valve actuator.

### Technical Information

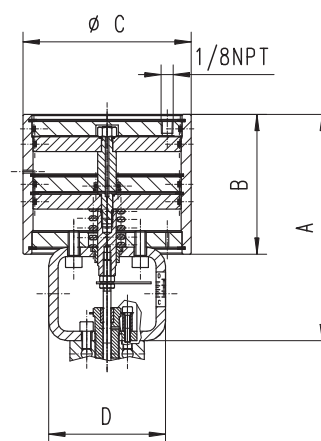
Maximum allowable working pressure for actuator: See table below for specific valve type  
 Maximum operation temperature range for actuator: -20°F to +200°F (-30°C to +95°C)  
 Actuator material: Anodized Aluminum  
 Air connection size: 1/8NPT



Medium Duty Valve Actuator



Heavy Duty Valve Actuator



Actuator type	Ordering suffix	Piston area in. <sup>2</sup> (mm <sup>2</sup> )	A in. (mm)	B in. (mm)	C in. (mm)	D in. (mm)	F in. (mm)	G in. (mm)	H in. (mm)
Medium duty	4;6;9-YMNO	19.6 (12.645)	5.64 (143.3)	2.69 (68.3)	5.67 (144.)	3.94 (100.1)	0.28 (7)	1.57 (39.9)	1.13 (28.7)
Heavy duty	4;6;9-YHNO	39.2 (25.290)	7.63 (193.8)	4.72 (119.9)	5.67 (144.)	3.94 (100.1)	0.28 (7)	1.57 (39.9)	1.13 (28.7)
Medium duty	12;16-YMNO	19.6 (12.645)	6.43 (163.3)	2.69 (68.3)	5.67 (144.)	3.94 (100.1)	0.28 (7)	2.47 (62.7)	1.13 (28.7)
Heavy duty	12;16-YHNO	39.2 (25.290)	8.42 (213.9)	4.72 (119.9)	5.67 (144.)	3.94 (100.1)	0.28 (7)	2.47 (62.7)	1.13 (28.7)

\* E dimension is an approximation only.

All technical and dimensional information subject to change. All general Terms and Conditions of sale, including limitations of our liability, apply to all products and services sold.

**Sour Service Products**  
 Pipe Valves & Fittings  
 to 15,200 psi (1,050 bar)

**Adapters and Couplings**  
 Medium Pressure  
 to 21,000 psi (1,500 bar)

**Accessories**  
 High Pressure  
 to 65,000 psi (4,500 bar)

**Tools and Installation**  
 Ultra High Pressure  
 to 152,000 psi (10,500 bar)

**Technical Information**  
 Valve Actuators

**Ball Valves**  
 to 21,000 psi (1,500 bar)

# MAXIMATOR®

## Valve Actuators Air to Close, Normally Open

Sour Service  
Products  
Pipe Valves & Fittings  
to 15,200 psi (1,050 bar)

Adapters and  
Couplings  
Medium Pressure  
to 21,000 psi (1,500 bar)

Accessories  
High Pressure  
to 65,000 psi (4,500 bar)

Tools and  
Installation  
Ultra High Pressure  
to 152,000 psi (10,500 bar)

Technical  
Information  
Valve Actuators

Ball Valves  
to 21,000 psi (1,500 bar)

Valve Series	Air Actuator		Air pressure required to close Valve at: System Pressure ksi (bar)											Max. Pressure psi (bar)	Stem Travel in. (mm)	Flow Value Cv*
	Type	Ordering Suffix	1-3 (68-200)	4 (275)	6 (400)	8 (550)	10 (700)	12 (830)	14 (970)	16 (1,100)	18 (1,250)	20 (1,400)	21 (1,500)			
21V4	Medium Duty	-YMNO	40 (2.8)	40 (2.8)	40 (2.8)	40 (2.8)	50 (3.5)	60 (4.2)	70 (4.9)	80 (5.6)	85 (5.9)	95 (6.6)	100 (6.9)	21,000 (1,500)	0.25 (6.4)	0.31
	Heavy Duty	-YHNO	20 (1.4)	20 (1.4)	20 (1.4)	20 (1.4)	25 (1.7)	30 (2.1)	35 (2.4)	40 (2.8)	45 (3.1)	50 (3.5)	55 (3.8)			
21V6	Medium Duty	-YMNO	45 (3.1)	45 (3.1)	45 (3.1)	45 (3.1)	55 (3.8)	65 (4.5)	75 (5.2)	85 (5.9)	95 (6.6)	100 (6.9)	20,000 (1,400)	0.25 (6.4)	0.75	
	Heavy Duty	-YHNO	25 (1.7)	25 (1.7)	25 (1.7)	25 (1.7)	30 (2.1)	35 (2.4)	40 (2.8)	45 (3.1)	50 (3.5)	55 (3.8)	60 (4.2)			
21V9	Medium Duty	-YMNO	60 (4.2)	60 (4.2)	65 (4.5)	80 (5.6)	100 (6.9)						10,700 (700)	0.38 (9.7)	1.30	
	Heavy Duty	-YHNO	30 (2.1)	30 (2.1)	30 (2.1)	40 (2.8)	50 (3.5)	55 (3.8)	60 (4.2)	70 (4.9)	80 (5.6)	85 (5.9)	90 (6.2)			
21V12	Medium Duty	-YMNO	80 (5.6)	80 (5.6)	100 (6.9)								6,100 (400)	0.44 (11.2)	2.50	
	Heavy Duty	-YMNO	40 (2.8)	40 (2.8)	50 (3.5)	60 (4.2)	75 (5.2)	90 (6.2)	100 (6.9)				13,600 (970)			
21V16	Medium Duty	-YMNO	100 (6.9)	100 (6.9)									3,900 (275)	0.56 (14.2)	3.40	
	Heavy Duty	-YHNO	50 (3.5)	50 (3.5)	70 (4.9)	100 (6.9)							8,800 (550)			
36V4	Medium Duty	-YMNO	25 (1.7)	25 (1.7)	30 (2.1)	35 (2.4)	35 (2.4)	40 (2.8)	45 (3.1)	50 (3.5)	50 (3.5)	55 (3.8)	65 (4.5)	36,000 (2,500)	0.19 (4.8)	0.12
	Heavy Duty	-YHNO	15 (1)	15 (1)	15 (1)	20 (1.4)	20 (1.4)	20 (1.4)	25 (1.7)	25 (1.7)	25 (1.7)	30 (2.1)	35 (2.4)			
36V6 & 36V9	Medium Duty	-YMNO	30 (2.1)	35 (2.4)	40 (2.8)	45 (3.1)	50 (3.5)	55 (3.8)	60 (4.2)	65 (4.5)	70 (4.9)	72 (5)	85 (5.9)	65,000 (4,500)	0.25 (6.4)	0.23
	Heavy Duty	-YHNO	15 (1)	20 (1.4)	20 (1.4)	25 (1.7)	25 (1.7)	30 (2.1)	30 (2.1)	35 (2.4)	35 (2.4)	40 (2.8)	50 (3.5)			
65V4 & 65V6	Medium Duty	-YMNO	30 (2.1)	30 (2.1)	30 (2.1)	35 (2.4)	45 (3.1)	50 (3.5)	55 (3.8)	60 (4.2)	70 (4.9)	75 (5.2)	80 (5.6)	65,000 (4,500)	0.25 (6.4)	0.08
	Heavy Duty	-YHNO	15 (1)	15 (1)	15 (1)	20 (1.4)	25 (1.7)	25 (1.7)	30 (2.1)	30 (2.1)	35 (2.4)	40 (2.8)	45 (3.1)			
65V9	Medium Duty	-YMNO	35 (2.4)	35 (2.4)	40 (2.8)	50 (3.5)	55 (3.8)	65 (4.5)	70 (4.9)	75 (5.2)	85 (5.9)	90 (6.2)	95 (6.6)	65,000 (4,500)	0.25 (6.4)	0.14
	Heavy Duty	-YHNO	20 (1.4)	20 (1.4)	20 (1.4)	25 (1.7)	30 (2.1)	35 (2.4)	35 (2.4)	40 (2.8)	45 (3.1)	45 (3.1)	50 (3.5)			
101V5	Medium Duty	-YMNO	50 (3.5)	50 (3.5)	50 (3.5)	50 (3.5)	55 (3.8)	65 (4.5)	75 (5.2)	85 (5.9)	95 (6.6)	100 (6.9)		101,000 (7,000)	0.12 (3)	0.09
	Heavy Duty	-YHNO	30 (2.1)	30 (2.1)	30 (2.1)	30 (2.1)	30 (2.1)	35 (2.4)	40 (2.8)	40 (2.8)	45 (3.1)	50 (3.5)				

\* Cv values are for straight pattern valves, increase this value by 50% for angle pattern valves.



# MAXIMATOR®

## Valve Actuators

Air to Open, Normally Closed

### Order Information

Select the basic manual valve from the appropriate pressure section, then add the actuator suffix number to the end of the manual valve catalog number.

Example: 21V4M071-YMNC, medium duty actuator, normally closed. This valve can be operated at 21,000 psi with an air supply of 100 psi to the valve actuator.

### Technical Information

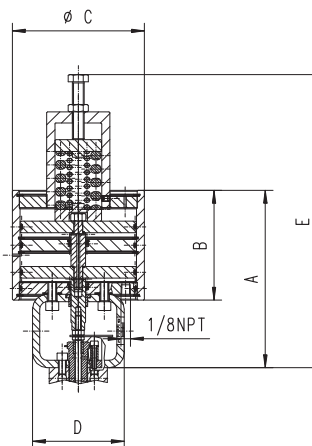
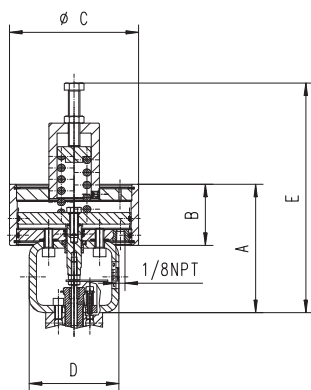
Maximum allowable working pressure for actuator:	See table below for specific valve type
Maximum operation temperature range for actuator:	-20°F to +200°F (-30°C to +95°C)
Actuator material:	Anodized Aluminum
Air connection size:	1/8NPT



Medium Duty Valve Actuator



Heavy Duty Valve Actuator



Actuator type	Ordering Suffix	Piston area in. <sup>2</sup> (mm <sup>2</sup> )	B in. (mm)	C in. (mm)	D in. (mm)	E* in. (mm)	F in. (mm)	G in. (mm)	H in. (mm)
Medium duty	4;6;9-YMNC	19.6 (12,645)	2.69 (68.3)	5.67 (144)	3.94 (100)	10.09 (256.3)	0.28 (7.1)	1.57 (39.9)	1.13 (28.7)
Heavy duty	4;6;9-YHNC	39.2 (25,290)	4.72 (119.9)	5.67 (144)	3.94 (100)	12.59 (320)	0.28 (7.1)	1.57 (39.9)	1.13 (28.7)
Heavy duty	12;16-YHNC	39.2 (25,290)	4.72 (119.9)	5.67 (144)	3.94 (100)	13.27 (337.8)	0.28 (7.1)	2.47 (62.7)	1.13 (28.7)

\* E dimension is an approximation only.

All technical and dimensional information subject to change. All general Terms and Conditions of sale, including limitations of our liability, apply to all products and services sold.

3999.1826 – DSB 09/2010

**Sour Service Products**  
 Pipe Valves & Fittings  
 to 15,200 psi (1,050 bar)

**Adapters and Couplings**  
 Medium Pressure  
 to 21,000 psi (1,500 bar)

**Accessories**  
 High Pressure  
 to 65,000 psi (4,500 bar)

**Tools and Installation**  
 Ultra High Pressure  
 to 152,000 psi (10,500 bar)

**Technical Information**  
 Valve Actuators

**Ball Valves**  
 to 21,000 psi (1,500 bar)

# MAXIMATOR®

## Valve Actuators Air to Open, Normally Closed

Sour Service Products  
Pipe Valves & Fittings  
to 15,200 psi (1,050 bar)

Adapters and Couplings  
Medium Pressure  
to 21,000 psi (1,500 bar)

Accessories  
High Pressure  
to 65,000 psi (4,500 bar)

Tools and Installation  
Ultra High Pressure  
to 152,000 psi (10,500 bar)

Technical Information  
Valve Actuators

Ball Valves  
to 21,000 psi (1,500 bar)

Valve Series	Air Actuator			Air pressure required to open Valve at: System Pressure ksi (bar)									Max. Pressure psi (bar)	Flow Value Cv*	
	Type	Ordering Suffix	Data	6 (410)	8 (550)	10 (700)	12 (830)	14 (970)	16 (1,100)	18 (1,250)	20 (1,400)	21 (1,500)			
21V4	Medium Duty	-YMNC	Air Pressure psi (bar)	65 (4.5)	65 (4.5)	75 (5.2)	85 (5.9)	95 (6.6)	95 (6.6)	95 (6.6)	95 (6.6)	100 (6.9)	21,000 (1,500)	0.31 - 0.22	
			Spring Pre-compression in. (mm)	0.19 (4.8)	0.19 (4.8)	0.25 (6.4)	0.31 (7.9)	0.38 (9.7)	0.44 (11.2)	0.5 (12.7)	0.56 (14.2)	0.59 (15)			
			Stem Travel in. (mm)	0.25 (6.4)	0.25 (6.4)	0.25 (6.4)	0.25 (6.4)	0.25 (6.4)	0.19 (4.8)	0.12 (3)	0.06 (1.5)	0.03 (0.8)			
	Heavy Duty	-YHNC	Air Pressure psi (bar)	35 (2.4)	35 (2.4)	40 (2.8)	45 (3.1)	50 (3.5)	50 (3.5)	50 (3.5)	50 (3.5)	55 (3.8)			21,000 (1,500)
			Spring Pre-compression in. (mm)	0.19 (4.8)	0.19 (4.8)	0.25 (6.4)	0.31 (7.9)	0.38 (9.7)	0.44 (11.2)	0.5 (12.7)	0.56 (14.2)	0.59 (15)			
			Stem Travel in. (mm)	0.25 (6.4)	0.25 (6.4)	0.25 (6.4)	0.25 (6.4)	0.25 (6.4)	0.19 (4.8)	0.12 (3)	0.06 (1.5)	0.03 (0.8)			
21V6	Medium Duty	-YMNC	Air Pressure psi (bar)	65 (4.5)	75 (5.2)	85 (5.9)	95 (6.6)	95 (6.6)	95 (6.6)	95 (6.6)			18,250 (1,250)	0.75 - 0.57	
			Spring Pre-compression in. (mm)	0.19 (4.8)	0.25 (6.4)	0.31 (7.9)	0.38 (9.7)	0.44 (11.2)	0.5 (12.7)	0.56 (14.2)					
			Stem Travel in. (mm)	0.25 (6.4)	0.25 (6.4)	0.25 (6.4)	0.25 (6.4)	0.19 (4.8)	0.12 (3)	0.06 (1.5)					
	Heavy Duty	-YHNC	Air Pressure psi (bar)	35 (2.4)	40 (2.8)	45 (3.1)	50 (3.5)	50 (3.5)	50 (3.5)	50 (3.5)			18,250 (1,250)		
			Spring Pre-compression in. (mm)	0.19 (4.8)	0.25 (6.4)	0.31 (7.9)	0.38 (9.7)	0.44 (11.2)	0.5 (12.7)	0.56 (14.2)					
			Stem Travel in. (mm)	0.25 (6.4)	0.25 (6.4)	0.25 (6.4)	0.25 (6.4)	0.19 (4.8)	0.12 (3)	0.06 (1.5)					
21V9	Medium Duty	-YMNC	Air Pressure psi (bar)	90 (6.2)	95 (6.6)	95 (6.6)							9,800 (675)	1.29 - 0.53	
			Spring Pre-compression in. (mm)	0.34 (8.6)	0.47 (11.9)	0.56 (14.2)									
			Stem Travel in. (mm)	0.25 (6.4)	0.15 (3.8)	0.06 (1.5)									
	Heavy Duty	-YHNC	Air Pressure psi (bar)	55 (3.8)	65 (4.5)	70 (4.9)	75 (5.2)	75 (5.2)	75 (5.2)				15,700 (1080)		
			Spring Pre-compression in. (mm)	0.22 (5.6)	0.28 (7.1)	0.34 (8.6)	0.44 (11.2)	0.5 (12.7)	0.56 (14.2)						
			Stem Travel in. (mm)	0.25 (6.4)	0.25 (6.4)	0.25 (6.4)	0.19 (4.8)	0.12 (3)	0.06 (1.5)						
21V12	Heavy Duty	-YHNC	Air Pressure psi (bar)	75 (5.2)	75 (5.2)								9,200 (630)	0.80 - 0.78	
			Spring Pre-compression in. (mm)	0.38 (9.7)	0.56 (14.2)										
			Stem Travel in. (mm)	0.25 (6.4)	0.06 (1.5)										
21V16	Heavy Duty	-YHNC	Air Pressure psi (bar)	75 (5.2)									6,100 (420)	2.73 - 0.15	
			Spring Pre-compression in. (mm)	0.56 (14.2)											
			Stem Travel in. (mm)	0.06 (1.5)											

\* Cv values are for straight pattern valves, increase this value by 50% for angle pattern valves.  
Cv values vary due to compression of actuator spring, and are adjusted based on system pressure.  
Values shown are for maximum to minimum stem travel position.

All technical and dimensional information subject to change. All general Terms and Conditions of sale, including limitations of our liability, apply to all products and services sold.

# MAXIMATOR®

## Valve Actuators

Air to Open, Normally Closed

Valve Series	Air Actuator			Air pressure required to open Valve at: System Pressure ksi (bar)											Max. Pressure psi (bar)	Flow Value Cv*
	Type	Ordering Suffix	Data	1-12 (68-830)	14 (970)	16 (1,100)	18 (1,250)	20 (1,400)	22 (1,500)	24 (1,650)	26 (1,800)	28 (1,900)	30 (2,000)	36 (2,500)		
36V4	Medium Duty	-YMNC	Air Pressure psi (bar)	45 (3.1)	55 (3.8)	55 (3.8)	55 (3.8)	55 (3.8)	65 (4.5)	65 (4.5)	65 (4.5)	65 (4.5)	75 (5.2)	85 (5.9)	36,000 (2,500)	0.12
			Spring Pre-compression in. (mm)	0.12 (3)	0.19 (4.8)	0.19 (4.8)	0.19 (4.8)	0.19 (4.8)	0.25 (6.4)	0.25 (6.4)	0.25 (6.4)	0.25 (6.4)	0.31 (7.9)	0.37 (9.4)		
			Stem Travel in. (mm)	0.19 (4.8)	0.19 (4.8)	0.19 (4.8)	0.19 (4.8)	0.19 (4.8)	0.19 (4.8)	0.19 (4.8)	0.19 (4.8)	0.19 (4.8)	0.19 (4.8)	0.19 (4.8)		
	Heavy Duty	-YHNC	Air Pressure psi (bar)	25 (1.7)	30 (2.1)	30 (2.1)	30 (2.1)	30 (2.1)	35 (2.4)	35 (2.4)	35 (2.4)	35 (2.4)	40 (2.8)	45 (3.1)	36,000 (2,500)	
			Spring Pre-compression in. (mm)	0.12 (3)	0.19 (4.8)	0.19 (4.8)	0.19 (4.8)	0.19 (4.8)	0.25 (6.4)	0.25 (6.4)	0.25 (6.4)	0.25 (6.4)	0.31 (7.9)	0.37 (9.4)		
			Stem Travel in. (mm)	0.19 (4.8)	0.19 (4.8)	0.19 (4.8)	0.19 (4.8)	0.19 (4.8)	0.19 (4.8)	0.19 (4.8)	0.19 (4.8)	0.19 (4.8)	0.19 (4.8)	0.19 (4.8)		
36V6 & 36V9	Medium Duty	-YMNC	Air Pressure psi (bar)	55 (3.8)	55 (3.8)	65 (4.5)	65 (4.5)	75 (5.2)	75 (5.2)	75 (5.2)	85 (5.9)	85 (5.9)	95 (6.6)	100 (6.9)	36,000 (2,500)	0.12
			Spring Pre-compression in. (mm)	0.19 (4.8)	0.19 (4.8)	0.25 (6.4)	0.25 (6.4)	0.31 (7.9)	0.31 (7.9)	0.31 (7.9)	0.38 (9.7)	0.38 (9.7)	0.44 (11.2)	0.5 (12.7)		
			Stem Travel in. (mm)	0.19 (4.8)	0.19 (4.8)	0.19 (4.8)	0.19 (4.8)	0.19 (4.8)	0.19 (4.8)	0.19 (4.8)	0.19 (4.8)	0.19 (4.8)	0.19 (4.8)	0.19 (4.8)		
	Heavy Duty	-YHNC	Air Pressure psi (bar)	30 (2.1)	30 (2.1)	35 (2.4)	35 (2.4)	40 (2.8)	40 (2.8)	40 (2.8)	45 (3.1)	45 (3.1)	50 (3.5)	55 (3.8)	36,000 (2,500)	
			Spring Pre-compression in. (mm)	0.19 (4.8)	0.19 (4.8)	0.25 (6.4)	0.25 (6.4)	0.31 (7.9)	0.31 (7.9)	0.31 (7.9)	0.38 (9.7)	0.38 (9.7)	0.44 (11.2)	0.5 (12.7)		
			Stem Travel in. (mm)	0.19 (4.8)	0.19 (4.8)	0.19 (4.8)	0.19 (4.8)	0.19 (4.8)	0.19 (4.8)	0.19 (4.8)	0.19 (4.8)	0.19 (4.8)	0.19 (4.8)	0.19 (4.8)		
65V4 & 65V6	Medium Duty	-YMNC	Air Pressure psi (bar)	55 (3.8)	65 (4.5)	65 (4.5)	65 (4.5)	75 (5.2)	75 (5.2)	85 (5.9)	85 (5.9)	85 (5.9)	95 (6.6)	100 (6.9)	65,000 (4,500)	0.08
			Spring Pre-compression in. (mm)	0.12 (3)	0.19 (4.8)	0.19 (4.8)	0.19 (4.8)	0.25 (6.4)	0.25 (6.4)	0.31 (7.9)	0.31 (7.9)	0.31 (7.9)	0.38 (9.7)	0.38 (9.7)		
			Stem Travel in. (mm)	0.25 (6.4)	0.25 (6.4)	0.25 (6.4)	0.25 (6.4)	0.25 (6.4)	0.25 (6.4)	0.25 (6.4)	0.25 (6.4)	0.25 (6.4)	0.25 (6.4)	0.25 (6.4)		
	Heavy Duty	-YHNC	Air Pressure psi (bar)	30 (2.1)	35 (2.4)	35 (2.4)	35 (2.4)	40 (2.8)	40 (2.8)	45 (3.1)	45 (3.1)	45 (3.1)	50 (3.5)	55 (3.8)	65,000 (4,500)	
			Spring Pre-compression in. (mm)	0.12 (3)	0.19 (4.8)	0.19 (4.8)	0.19 (4.8)	0.25 (6.4)	0.25 (6.4)	0.31 (7.9)	0.31 (7.9)	0.31 (7.9)	0.38 (9.7)	0.44 (11.2)		
			Stem Travel in. (mm)	0.25 (6.4)	0.25 (6.4)	0.25 (6.4)	0.25 (6.4)	0.25 (6.4)	0.25 (6.4)	0.25 (6.4)	0.25 (6.4)	0.25 (6.4)	0.25 (6.4)	0.25 (6.4)		
65V9	Medium Duty	-YMNC	Air Pressure psi (bar)	55 (3.8)	65 (4.5)	65 (4.5)	75 (5.2)	75 (5.2)	85 (5.9)	95 (6.6)	95 (6.6)	95 (6.6)	95 (6.6)	100 (6.9)	65,000 (4,500)	1.04
			Spring Pre-compression in. (mm)	0.12 (3)	0.19 (4.8)	0.19 (4.8)	0.25 (6.4)	0.25 (6.4)	0.31 (7.9)	0.38 (9.7)	0.38 (9.7)	0.44 (11.2)	0.50 (12.7)	0.56 (14.2)		
			Stem Travel in. (mm)	0.25 (6.4)	0.25 (6.4)	0.25 (6.4)	0.25 (6.4)	0.25 (6.4)	0.25 (6.4)	0.25 (6.4)	0.25 (6.4)	0.19 (4.8)	0.12 (3)	0.06 (1.5)		
	Heavy Duty	-YHNC	Air Pressure psi (bar)	30 (2.1)	35 (2.4)	35 (2.4)	40 (2.8)	40 (2.8)	45 (3.1)	50 (3.5)	50 (3.5)	50 (3.5)	50 (3.5)	55 (3.8)	65,000 (4,500)	
			Spring Pre-compression in. (mm)	0.12 (3)	0.19 (4.8)	0.19 (4.8)	0.25 (6.4)	0.25 (6.4)	0.31 (7.9)	0.38 (9.7)	0.38 (9.7)	0.44 (11.2)	0.50 (12.7)	0.56 (14.2)		
			Stem Travel in. (mm)	0.25 (6.4)	0.25 (6.4)	0.25 (6.4)	0.25 (6.4)	0.25 (6.4)	0.25 (6.4)	0.25 (6.4)	0.25 (6.4)	0.19 (4.8)	0.12 (3)	0.66 (16.8)		
101V5	Heavy Duty	-YHNC	Air Pressure psi (bar)	35 (2.4)	35 (2.4)	40 (2.8)	40 (2.8)	45 (3.1)	50 (3.5)	55 (3.8)	60 (4.2)	70 (4.9)			90,000 (6,200)	0.09 - 0.07
			Spring Pre-compression in. (mm)	0.12 (3)	0.12 (3)	0.19 (4.8)	0.19 (4.8)	0.22 (5.6)	0.25 (6.4)	0.28 (7.1)	0.31 (7.9)	0.38 (9.7)				
			Stem Travel in. (mm)	0.12 (3)	0.12 (3)	0.12 (3)	0.12 (3)	0.12 (3)	0.12 (3)	0.12 (3)	0.12 (3)	0.12 (3)				

\* Cv values are for straight pattern valves, increase this value by 50% for angle pattern valves. Cv values vary due to compression of actuator spring, and are adjusted based on system pressure. Values shown are for maximum to minimum stem travel position.

All technical and dimensional information subject to change. All general Terms and Conditions of sale, including limitations of our liability, apply to all products and services sold.

**Sour Service Products**  
 to 15,200 psi (1,050 bar)

**Medium Pressure**  
 to 21,000 psi (1,500 bar)

**High Pressure**  
 to 65,000 psi (4,500 bar)

**Ultra High Pressure**  
 to 152,000 psi (10,500 bar)

**Ball Valves**  
 to 21,000 psi (1,500 bar)

**Accessories**

**Technical Information**

**Tools and Installation**

**Adapters and Couplings**

**Pipe Valves & Fittings**



## Ball Valves

Pressures to 21,000 psi (1,500 bar)

**MAXIMATOR** ball valves provide superior quality and performance with a variety of valve styles and process connections. All medium and high pressure connections are supplied with glands and collars.

Ball Valves feature:

- ▶ One-piece, trunnion mounted style stem design eliminates shear failure found in two-piece stem designs.
- ▶ Choice of 3/16" and 1/4" ball orifices provides minimal pressure drops.
- ▶ Re-torqueable seat glands for longer seat life and dependability.
- ▶ Torlon Ball Seat material offers excellent sealing capabilities.
- ▶ 316 cold worked stainless steel body, and 17-4 PH stem offers excellent corrosion resistance.
- ▶ Ball valves are available in 90° and 180° open to close with a positive stop.
- ▶ Available with Pneumatic or Electric actuators.
- ▶ Available in medium, high and FNPT pressure connections.
- ▶ Full materials traceability.
- ▶ Safety weep holes for all pressure connections and packing area.

**MAXIMATOR** offers a complete line of high pressure components to compliment the 2-way and 3-way Ball Valve line.

Note: When selecting multiple items, the pressure rating would be that of the lowest rated component.

### Ball Valve Index

2-Way Ball Valves .....	2
3-Way Ball Valves .....	3
Pneumatic Actuators .....	4
Electric Actuators .....	5

#### Factory

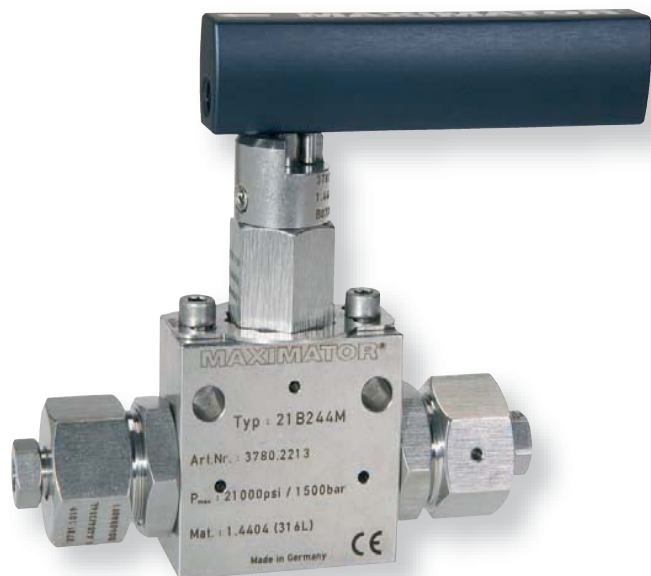
**MAXIMATOR GmbH**  
Lange Straße 6  
99734 Nordhausen  
Germany

Telephone: +49 (0) 3631 9533-0  
Facsimile: +49 (0) 3631 9533-5010  
E-Mail: [info@maximator.de](mailto:info@maximator.de)  
Internet: [www.maximator.de](http://www.maximator.de)

All technical and dimensional information subject to change. All general Terms and Conditions of sale, including limitations of our liability, apply to all products and services sold.

# MAXIMATOR®

## 2-Way Ball Valves - 1/4" Orifice Pressures to 21,000 psi (1,500 bar)



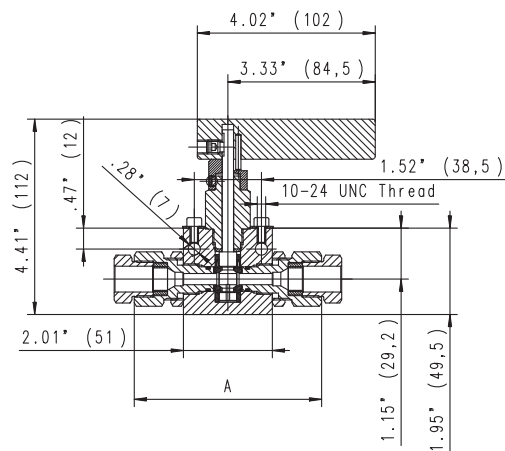
**MAXIMATOR** 2-Way Ball Valves have 1/4" orifices and are capable of safe handling of liquids and gases up to 21,000 psi (1,500 bar) pressure. Their 90° handle rotation allows for full flow capabilities with minimal pressure drop. Robust one-piece trunnion style stem design eliminates shear failure that is found in a two-piece stem design. Ball seats are made of Torlon material providing excellent sealing capabilities with low handle operating torque. Re-torqueable seat glands provide longer valve life and dependability. Standard valves are supplied with Viton O-Rings rated to 300°F (150°C).

### Ordering Information

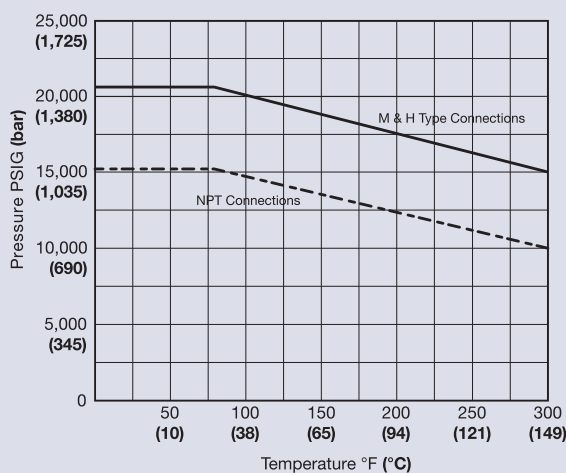
Typical catalog number: **21B244M**

21	B2	4	4M	-
<b>Pressure (x 1000 psi)</b>	<b>Valve Series</b>	<b>Orifice Diameter</b>	<b>Connection Type</b>	<b>Options</b>
15 = 15,200 psi (1,050 bar) 21 = 21,000 psi (1,500 bar)	B2 = Ball Valve 2-way	4 = 1/4"	See chart below	See Ball Valve Actuators (page 4 & 5)

### Manually Operated 2-Way Ball Valve



### Pressure Temperature Ratings



Catalog Number	Pressure Rating @ RT psi. (bar)	O.D Tubing Size in.	Connection Type	Orifice Size in. (mm)	Cv	Dimension A in. (mm)	Valve Panel Hole in. (mm)	Block Thickness in. (mm)
21B244M	21,000 (1,500)	1/4	4MF	0.106 (2.7)	0.31	4.21 (107)	1.03 (26.2)	1.02 (26)
21B246M	21,000 (1,500)	3/8	6MF	0.201 (5.1)	1.70	4.21 (107)	1.03 (26.2)	1.02 (26)
21B249M	21,000 (1,500)	9/16	9MF	0.250 (6.4)	2.70	4.21 (107)	1.03 (26.2)	1.02 (26)
21B244H	21,000 (1,500)	1/4	4HF	0.091 (2.3)	0.20	4.21 (107)	1.03 (26.2)	1.02 (26)
21B246H	21,000 (1,500)	3/8	6HF	0.118 (3.0)	0.45	4.21 (107)	1.03 (26.2)	1.02 (26)
21B249H	21,000 (1,500)	9/16	9HF	0.188 (4.8)	1.45	4.84 (123)	1.03 (26.2)	1.02 (26)
15B242P	15,200 (1,050)	1/8	FNPT	0.250 (6.4)	2.70	4.21 (107)	1.03 (26.2)	1.02 (26)
15B244P	15,200 (1,050)	1/4	FNPT	0.250 (6.4)	2.70	4.21 (107)	1.03 (26.2)	1.02 (26)
15B246P	15,200 (1,050)	3/8	FNPT	0.250 (6.4)	2.70	4.21 (107)	1.03 (26.2)	1.02 (26)
15B248P	15,200 (1,050)	1/2	FNPT	0.250 (6.4)	2.70	4.84 (123)	1.03 (26.2)	1.02 (26)

Caution: Ball valves are not recommended for small molecular gases (Hydrogen, Helium).  
All dimensions are for reference only and subject to change.

All technical and dimensional information subject to change. All general Terms and Conditions of sale, including limitations of our liability, apply to all products and services sold.

Sour Service Products  
Pipe Valves & Fittings to 15,200 psi (1,050 bar)  
Adapters and Couplings  
Medium Pressure to 21,000 psi (1,500 bar)  
Accessories  
High Pressure to 65,000 psi (4,500 bar)  
Tools and Installation  
Ultra High Pressure to 152,000 psi (10,500 bar)  
Technical Information  
Valve Actuators  
Ball Valves to 21,000 psi (1,500 bar)

# MAXIMATOR®

## 3-Way Ball Valves - 3/16" Orifice Pressures to 21,000 psi (1,500 bar)



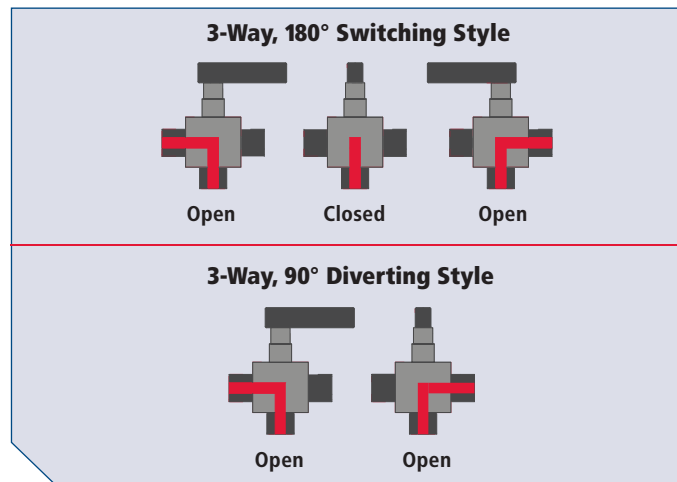
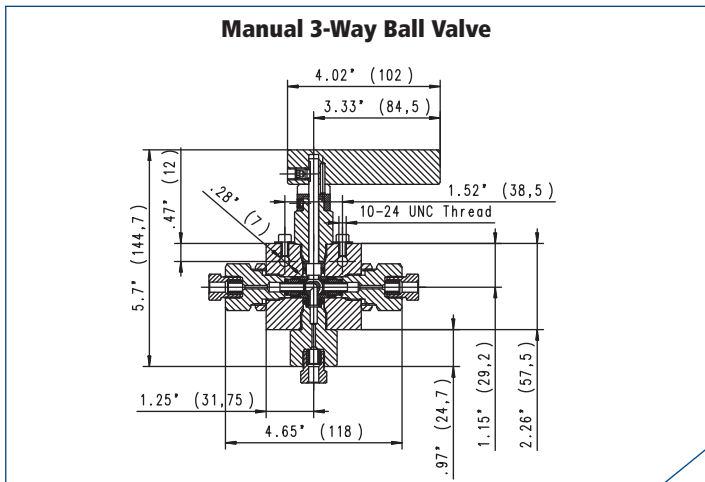
**MAXIMATOR** 3-Way Ball Valves have 3/16" orifices and are capable of safe handling of liquids and gases up to 21,000 psi (1,500 bar) pressure. Robust one-piece trunnion style stem design eliminates shear failure that is found in a two-piece stem design. There are two styles in the 3-way design:

- The 180° rotating Switching Ball Valve is designed to have fluid enter in through the bottom connection and can be switched to either side connection. Also, the valve can be closed in the center "Off" position.
- The 90° rotating Diverting Ball Valve is designed to have fluid enter in through the bottom connection and can be diverted to either side connection. There is no center off position in the diverting design.

### Ordering Information

Typical catalog number: **21B3S34M**

21	B3S	3	4M	-
Pressure (x 1000 psi)	Valve Series	Orifice Diam-	Connec-tion	Options
15 = 15,200 psi (1,050 bar) 21 = 21,000 psi (1,500 bar)	B3S = 180°Switching B3D = 90°Diverting	3 = 3/16	See chart below	See Ball Valve Actuators (page 4 & 5)



Catalog Number		Pressure Rating @ RT psi. (bar)*	O.D Tubing Size in.	Connection Type	Orifice Size in. (mm)	Cv	Valve Panel Hole in. (mm)	Block Thickness in. (mm)
3-Way 180° Switching	3-Way 90° Diverting							
21B3S34M	21B3D34M	21,000 (1,500)	1/4	4MF	0.109 (2.8)	0.15	1.03 (26.2)	1.00 (25.4)
21B3S36M	21B3D36M	21,000 (1,500)	3/8	6MF	0.188 (4.8)	0.71	1.03 (26.2)	1.00 (25.4)
21B3S39M	21B3D39M	21,000 (1,500)	9/16	9MF	0.188 (4.8)	0.71	1.03 (26.2)	1.00 (25.4)
21B3S34H	21B3D34H	21,000 (1,500)	1/4	4HF	0.094 (2.4)	0.10	1.03 (26.2)	1.00 (25.4)
21B3S36H	21B3D36H	21,000 (1,500)	3/8	6HF	0.125 (3.2)	0.22	1.03 (26.2)	1.00 (25.4)
21B3S39H	21B3D39H	21,000 (1,500)	9/16	9HF	0.188 (4.8)	0.71	1.03 (26.2)	1.00 (25.4)
15B3S32P	15B3D32P	15,200 (1,050)	1/8	FNPT	0.188 (4.8)	0.71	1.03 (26.2)	1.00 (25.4)
15B3S34P	15B3D34P	15,200 (1,050)	1/4	FNPT	0.188 (4.8)	0.71	1.03 (26.2)	1.00 (25.4)
15B3S36P	15B3D36P	15,200 (1,050)	3/8	FNPT	0.188 (4.8)	0.71	1.03 (26.2)	1.00 (25.4)
15B3S38P	15B3D38P	15,200 (1,050)	1/2	FNPT	0.188 (4.8)	0.71	1.03 (26.2)	1.00 (25.4)

\* Maximum side connection inlet pressure is 15,000 psig.

Caution: Ball valves are not recommended for small molecular gases (Hydrogen, Helium).

See page 2 for pressure/temperature rating chart.  
All dimensions are for reference only and subject to change.

All technical and dimensional information subject to change. All general Terms and Conditions of sale, including limitations of our liability, apply to all products and services sold.

**Sour Service Products**  
 to 15,200 psi (1,050 bar)

**Adapters and Couplings**  
 to 21,000 psi (1,500 bar)

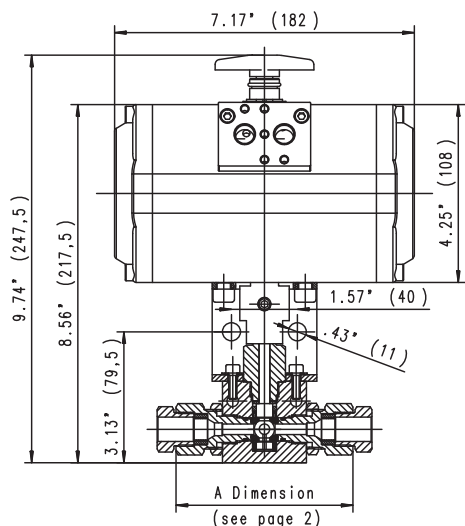
**Accessories**  
 to 65,000 psi (4,500 bar)

**Tools and Installation**  
 to 152,000 psi (10,500 bar)

**Technical Information**

**Ball Valves**  
 to 21,000 psi (1,500 bar)

**Air Operated 2-Way Ball Valve**



**Pneumatic Actuator Features**

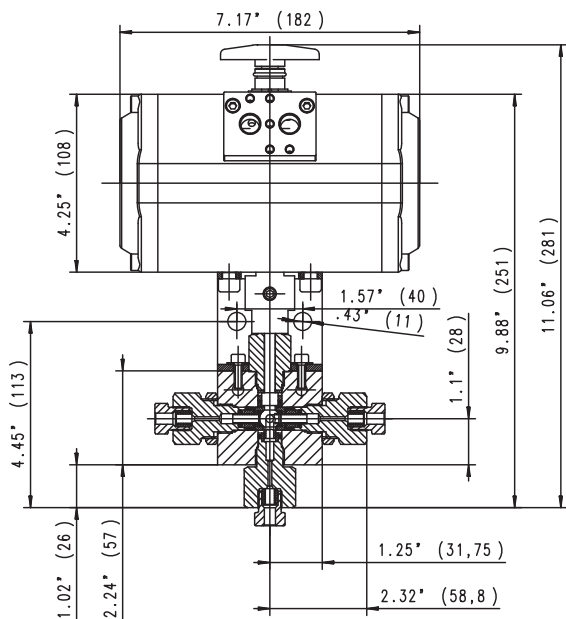
- ▶ Pneumatic actuators are designed to be used with 2-way & 3-way style ball valves for remote operation.
- ▶ Two styles available:
  - Double acting: (air to open / air to close)
  - Single acting: (air to open / spring to close)
- ▶ Optional limit switches with visual indication available.
- ▶ Actuators are anodized aluminum, which provides good corrosion resistance. Stainless steel material is available upon request.
- ▶ Maximum operating air pressure is 145 psi (10 bar).
- ▶ Inlet air supply connection is 1/8" FNPT
- ▶ Actuator operating temperature:
  - 4°F to 203°F (-20°C to 95°C).
- ▶ Minimal required air pressure is 80 psi (5.5 bar).
- ▶ Opening & closing time is less than one second.

**Ordering Information**

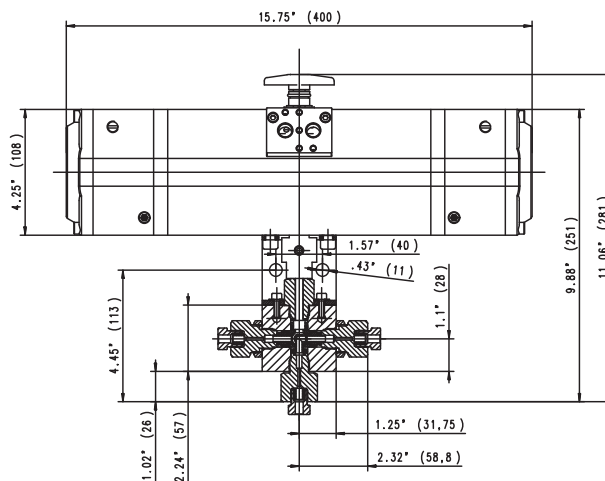
Simply add suffix to the manual ball valve catalog number:

- DA (Double Acting Air Actuators)
- SA (Single Acting Air Actuators)

**Air Operated 3-Way Ball Valve,  
90° Diverter Style**



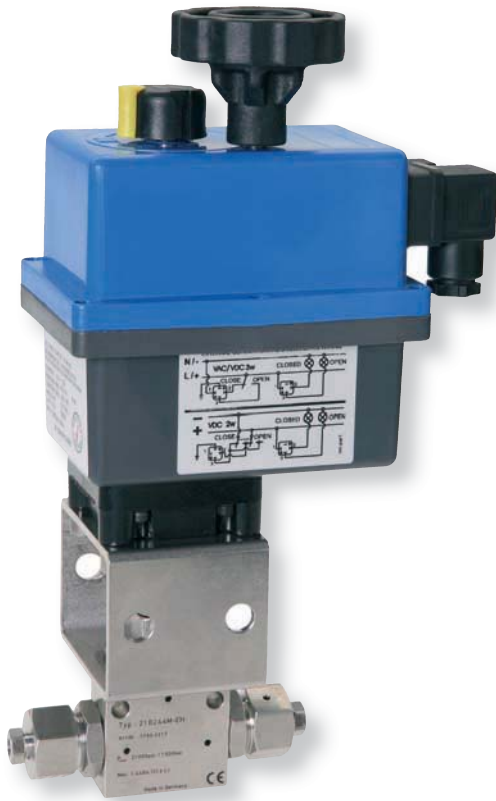
**Air Operated 3-Way Ball Valve,  
180° Switching Style**



(Available in double acting only)

All dimensions are for reference only and are subject to change.

All technical and dimensional information subject to change. All general Terms and Conditions of sale, including limitations of our liability, apply to all products and services sold.



### Electric Actuator Features

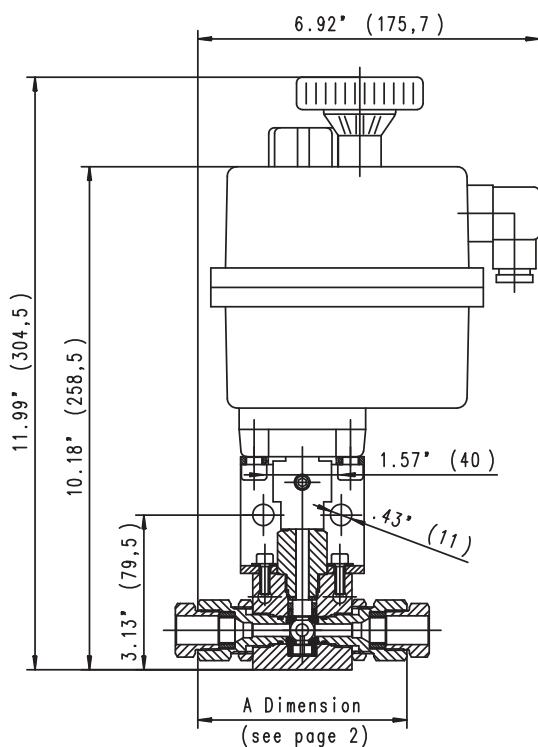
- ▶ Electric actuators are designed to be used with 2-way & 3-way style ball valves for remote operation.
- ▶ Actuators will accept a wide range of single phase input voltages from 12 to 240 volts DC or AC current.
- ▶ Optional limit switches with visual indication available.
- ▶ Manual override option is standard.
- ▶ Actuators are made with polyamide material, which provides good corrosion resistance.
- ▶ Actuator operating temperature:  
-0°F to 160°F (-18°C to 70°C).
- ▶ Opening & closing time is less than ten seconds with 90° actuators.

### Ordering Information

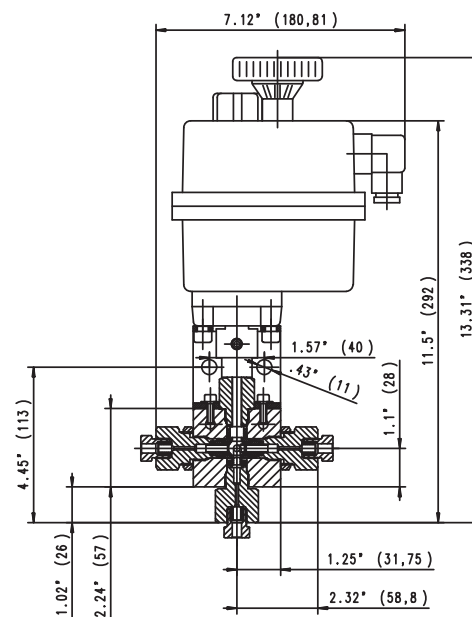
Simply add suffix to the manual ball valve catalog number:

- **EL** = Electric Actuator, lower voltage,  
(12 - 48 Volts AC or DC)
- **EH** = Electric Actuator, higher voltage,  
(80 - 240 Volts AC or DC)

**Electrically Operated 2-Way Ball Valve**



**Electrically Operated 3-Way Ball Valve**



*All dimensions are for reference only and are subject to change*





## Valves, Fittings and Tubing for Sour Gas Applications Pressures to 30,000 psi (2,070 bar)

MAXIMATOR has been designing and manufacturing high pressure equipment for more than thirty years and has a worldwide reputation for quality and reliability, backed by one of the best service organizations in the industry.

### Oil & Gas Products feature:

- ▶ Rising stem design, both solid and 2piece configuration are available.
- ▶ All pressure-containing materials comply with the requirements of NACE MR0175.
- ▶ Annealed 316 L (1.4404) wetted parts for excellent corrosion resistance.
- ▶ Metal-to-metal seating achieves bubble-tight shut-off, longer stem and seat life, greater durability for repeated open and close cycles.
- ▶ PTFE and carbon packing with metal back-up rings offers reliable stem to body sealing.
- ▶ Safety weep holes for all pressure connections and packing area.
- ▶ Six different valve body patterns, with choice of vee or regulating type stem tip.

MAXIMATOR offers a complete line of high pressure fittings, tubing, check valves and line filters for standard oil field service where H<sub>2</sub>S is present. All high pressure valves and fittings use the high pressure style connection.

**Note:** When selecting multiple items, the pressure rating would be that of the lowest rated component.

### Index

Valves rated to 22,500 psi (1,560 bar) .....	2-3
Valves rated to 30,000 psi (2,070 bar) .....	4-5
Fittings .....	6-7
Tubing .....	8
Coned and Threaded Nipples .....	9
Check Valves .....	10
Line Filters .....	11
Adapters and Couplings .....	12



**Factory**  
**MAXIMATOR GmbH**  
 Lange Straße 6  
 99734 Nordhausen  
 Germany

Telephone: +49 (0) 3631 9533-0  
 Facsimile: +49 (0) 3631 9533-5010  
 E-Mail: info@maximator.de  
 Internet: www.maximator.de

**Sour Service Products**  
 Pipe Valves & Fittings  
 to 15,200 psi (1,050 bar)

**Adapters and Couplings**  
 Medium Pressure  
 to 21,000 psi (1,500 bar)

**Accessories**  
 High Pressure  
 to 65,000 psi (4,500 bar)

**Tools and Installation**  
 Ultra High Pressure  
 to 152,000 psi (10,500 bar)

**Valve Actuators**  
 Technical Information

**Ball Valves**  
 to 21,000 psi (1,500 bar)

# MAXIMATOR®

## High Pressure Valves for Sour Gas Applications

Pressures to 22,500 psi (1,560 bar)



**MAXIMATOR Sour Gas Valves** are designed for oil and gas service where H<sub>2</sub>S is present. All pressure containing components are made from annealed 316 stainless steel material in compliance with NACE MR0175. These needle valves with metal to metal seats have a high level of safety and reliability under harsh operating conditions. These valves may be used both with gases and liquids.

Traceability is ensured through extensively documented data (batch number, maximum pressure, material number, type designation). All Sour Gas components are supplied with collars and glands unless otherwise specified.

### Ordering Information

Typical catalog number: **22V4H071-SOG**

22V	4H	07	1	SOG
Valve Series	O.D. Tube Size	Stem Type	Body Pattern	SOG – Sour Gas
22V	4H – 1/4" 6H – 3/8" 9H – 9/16"	00 – One piece rotating Vee stem 01 – One piece rotating Regulating stem 07 – non rotating Vee stem (on-off service) 08 – non-rotating Regulating stem (tapered tip for regulating and shutoff) 80 – One piece Vee stem with replaceable seat 81 – One piece Regulating stem with replaceable seat	1 – two-way straight 2 – two-way angle 3 – three-way, two on pressure 4 – three-way, one on pressure 5 – three-way, two-stem manifold	<b>SOGWO – Sour Gas without Glands &amp; Collars</b>

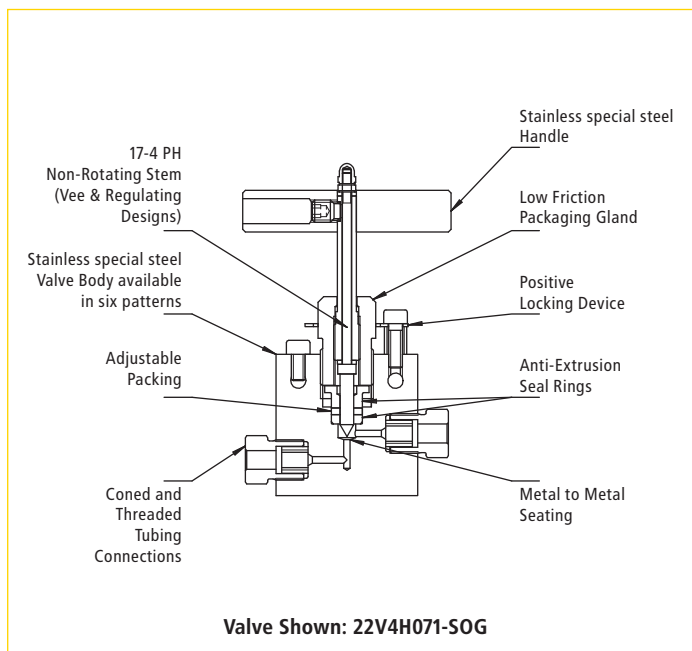
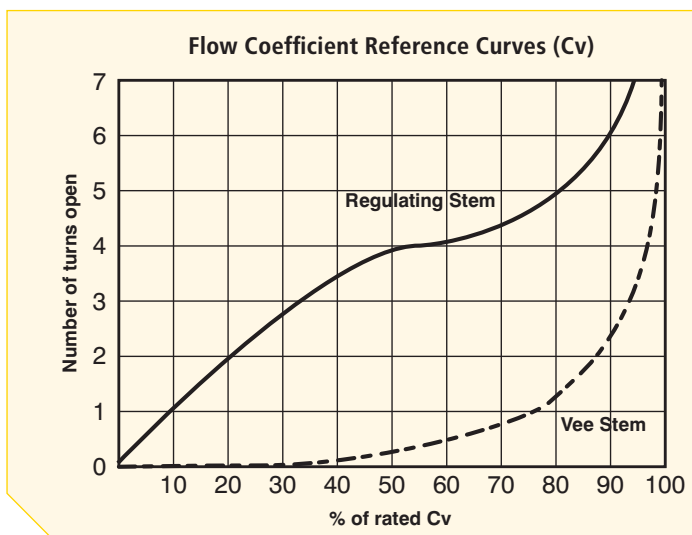
### Repair Kits

Consult your **MAXIMATOR** representative for repair kits and valve bodies. Refer to the Tools and Installation section for proper maintenance procedures.

O.D. Size in. (mm)	Connection Type	Orifice Size in. (mm)	Rated Cv*	Pressure/Temp. Rating psi @ R.T. ** (bar)
1/4 (6.35)	4HF	0.094 (2.3)	0.12	22,500 (1,560)
3/8 (9.53)	6HF	0.125 (3.2)	0.23	22,500 (1,560)
9/16 (14.3)	9HF	0.125 (3.2)	0.33	22,500 (1,560)

\* Cv valves shown are for 2-way straight pattern vee stem valves. For 2-way angle patterns, increase the Cv value by 50%.

\*\* See page 2 in the Technical Section for Pressure/Temperature Rating Chart.



Sour Service Products  
Pipe Valves & Fittings  
to 15,200 psi (1,050 bar)

Adapters and Couplings  
Medium Pressure  
to 21,000 psi (1,500 bar)

Accessories  
High Pressure  
to 65,000 psi (4,500 bar)

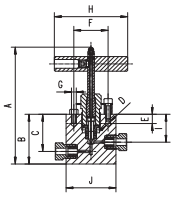
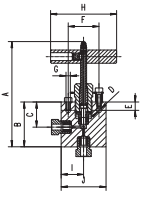
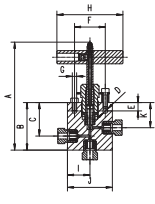
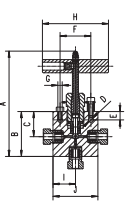
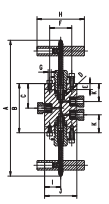
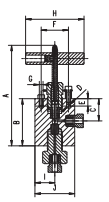
Tools and Installation  
Ultra High Pressure  
to 152,000 psi (10,500 bar)

Technical Information  
Valve Actuators

Ball Valves  
to 21,000 psi (1,500 bar)

# MAXIMATOR®

## High Pressure Valves for Sour Gas Applications Pressures to 22,500 psi (1,560 bar)

Valve Pattern	Catalog Number	Stem Type	O.D. Tube in.	Orifice in. (mm.)	Dimensions in. (mm)										Valve Panel Hole	Block Thickness
					A	B	C	D	E	F	H	I	J	K		
<b>2-Way Straight</b>																
	22V4H001-SOG	Vee	1/4	0.094	4.96	2.01	1.50	0.22	0.37	1.38	2.95	1.12	2.01		1.00	1.02
	22V4H081-SOG	Reg		(2.3)	(126)	(51)	(38)	(5.6)	(9.5)	(35)	(75)	(28.5)	(51)		(25.4)	(25.9)
	22V6H001-SOG	Vee	3/8	0.125	4.96	2.01	1.50	0.22	0.37	1.38	2.95	1.12	2.01		1.00	1.02
	22V6H081-SOG	Reg		(3.2)	(126)	(51)	(38)	(5.6)	(9.5)	(35)	(75)	(28.5)	(51)		(25.4)	(25.9)
	22V9H001-SOG	Vee	9/16	0.125	5.00	2.44	1.56	0.22	0.37	1.38	2.95	1.12	2.64		1.00	1.54
	22V9H081-SOG	Reg		(3.2)	(127)	(62)	(39.6)	(5.6)	(9.5)	(35)	(75)	(28.5)	(57)		(25.4)	(39.1)
<b>2-Way Angle</b>																
	22V4H002-SOG	Vee	1/4	0.094	4.96	2.01	1.12	0.22	0.37	1.38	2.95	1.00	2.01		1.00	1.02
	22V4H082-SOG	Reg		(2.3)	(126)	(51)	(28.5)	(5.6)	(9.5)	(35)	(75)	(25.4)	(51)		(25.4)	(25.9)
	22V6H002-SOG	Vee	3/8	0.125	4.78	2.20	1.10	0.22	0.37	1.38	2.95	1.00	2.01		1.00	1.02
	22V6H082-SOG	Reg		(3.2)	(121.5)	(56)	(28)	(5.6)	(9.5)	(35)	(75)	(25.4)	(51)		(25.4)	(25.9)
	22V9H002-SOG	Vee	9/16	0.125	5.00	2.44	1.12	0.22	0.37	1.38	2.95	1.32	2.64		1.00	1.54
	22V9H082-SOG	Reg		(3.2)	(127)	(62)	(28.5)	(5.6)	(9.5)	(35)	(75)	(33.5)	(57)		(25.4)	(39.1)
<b>3-Way / 2 on Pressure</b>																
	22V4H003-SOG	Vee	1/4	0.094	4.69	2.13	1.50	0.22	0.37	1.38	2.95	1.00	2.01	1.12	1.00	1.02
	22V4H083-SOG	Reg		(2.3)	(119.1)	(54.1)	(38)	(5.6)	(9.5)	(35)	(75)	(25.4)	(51)	(28.5)	(25.4)	(25.9)
	22V6H003-SOG	Vee	3/8	0.125	5.08	2.50	1.50	0.22	0.37	1.38	2.95	1.00	2.01	1.12	1.00	1.02
	22V6H083-SOG	Reg		(3.2)	(129)	(63.5)	(38)	(5.6)	(9.5)	(35)	(75)	(25.4)	(51)	(28.5)	(25.4)	(25.9)
	22V9H003-SOG	Vee	9/16	0.125	5.45	2.87	1.56	0.22	0.37	1.38	2.95	1.32	2.64	1.12	1.00	1.54
	22V9H083-SOG	Reg		(3.2)	(138.5)	(72.9)	(39.6)	(5.6)	(9.5)	(35)	(75)	(33.5)	(57)	(28.5)	(25.4)	(39.1)
<b>3-Way / 1 on Pressure</b>																
	22V4H004-SOG	Vee	1/4	0.094	4.96	2.01	1.12	0.22	0.37	1.38	2.95	1.00	2.01		1.00	1.02
	22V4H084-SOG	Reg		(2.3)	(126)	(51)	(28.5)	(5.6)	(9.5)	(35)	(75)	(25.4)	(51)		(25.4)	(25.9)
	22V6H004-SOG	Vee	3/8	0.125	4.76	2.20	1.12	0.22	0.37	1.38	2.95	1.00	2.01		1.00	1.02
	22V6H084-SOG	Reg		(3.2)	(121)	(56)	(28.5)	(5.6)	(9.5)	(35)	(75)	(25.4)	(51)		(25.4)	(25.9)
	22V9H004-SOG	Vee	9/16	0.125	5.00	2.44	1.12	0.22	0.37	1.38	2.95	1.32	2.64		1.00	1.54
	22V9H084-SOG	Reg		(3.2)	(127)	(62)	(28.5)	(5.6)	(9.5)	(35)	(75)	(33.5)	(57)		(25.4)	(39.1)
<b>3-Way / 2-Stem Manifold</b>																
	22V4H005-SOG	Vee	1/4	0.094	8.23	3.07	1.54	0.22	0.37	1.38	2.95	1.00	2.01	1.12	1.00	1.02
	22V4H085-SOG	Reg		(2.3)	(209)	(78)	(39.1)	(5.6)	(9.5)	(35)	(75)	(25.4)	(51)	(28.5)	(25.4)	(25.9)
	22V6H005-SOG	Vee	3/8	0.125	8.39	3.25	1.61	0.22	0.37	1.38	2.95	1.00	2.01	1.12	1.00	1.02
	22V6H085-SOG	Reg		(3.2)	(213)	(82.5)	(40.9)	(5.6)	(9.5)	(35)	(75)	(25.4)	(51)	(28.5)	(25.4)	(25.9)
	22V9H005-SOG	Vee	9/16	0.125	8.90	3.74	1.88	0.22	0.37	1.38	2.95	1.32	2.64	1.12	1.00	1.54
	22V9H085-SOG	Reg		(3.2)	(226)	(95)	(47.8)	(5.6)	(9.5)	(35)	(75)	(33.5)	(57)	(28.5)	(25.4)	(39.1)
<b>2-Way Angle / Replaceable Seat</b>																
	22V4H802-SOG	Vee	1/4	0.094	4.96	2.38	1.12	0.22	0.37	1.38	2.95	1.00	2.01		1.00	1.02
	22V4H882-SOG	Reg		(2.3)	(126)	(60.5)	(28.5)	(5.6)	(9.5)	(35)	(75)	(25.4)	(51)		(25.4)	(25.9)
	22V6H802-SOG	Vee	3/8	0.125	4.96	2.38	1.12	0.22	0.37	1.38	2.95	1.00	2.01		1.00	1.02
	22V6H882-SOG	Reg		(3.2)	(126)	(60.5)	(28.5)	(5.6)	(9.5)	(35)	(75)	(25.4)	(51)		(25.4)	(25.9)
	22V9H802-SOG	Vee	9/16	0.125	5.00	2.44	1.18	0.22	0.37	1.38	2.95	1.32	2.64		1.00	1.54
	22V9H882-SOG	Reg		(3.2)	(127)	(62)	(30)	(5.6)	(9.5)	(35)	(75)	(33.5)	(57)		(25.4)	(39.1)

G - Panel mounting screw thread size 10-24 UNC (screw included).  
All dimensions are for reference only and subject to change.

All technical and dimensional information subject to change. All general Terms and Conditions of sale, including limitations of our liability, apply to all products and services sold.

**Sour Service Products**  
 to 15,200 psi (1,050 bar)

**Adapters and Couplings**  
 to 21,000 psi (1,500 bar)

**High Pressure Accessories**  
 to 65,000 psi (4,500 bar)

**Ultra High Pressure Installation**  
 to 152,000 psi (10,500 bar)

**Technical Information**  
 Valve Actuators

**Ball Valves**  
 to 21,000 psi (1,500 bar)

# MAXIMATOR®

## High Pressure Valves for Sour Gas Applications

Pressures to 30,000 psi (2,070 bar)



**MAXIMATOR** Sour Gas Valves are designed for oil and gas service where H<sub>2</sub>S is present. All pressure containing components are made from annealed 316 stainless steel material in compliance with NACE MR0175. These needle valves with metal to metal seats have a high level of safety and reliability under harsh operating conditions. These valves may be used both with gases and liquids.

Traceability is ensured through extensively documented data (batch number, maximum pressure, material number, type designation). All Sour Gas components are supplied with collars and glands unless otherwise specified.

### Ordering Information

Typical catalog number: **30V4H071-SOG**

30V	4H	07	1	SOG
Valve Series	O.D. Tube Size	Stem Type	Body Pattern	SOG – Sour Gas
30V	4H – 1/4" 6H – 3/8" 9H – 9/16"	00 – One piece rotating Vee stem 01 – One piece rotating Regulating stem 07 – non rotating Vee stem (on-off service) 08 – non-rotating Regulating stem (tapered tip for regulating and shutoff) 80 – One piece Vee stem with replaceable seat 81 – One piece Regulating stem with replaceable seat	1 – two-way straight 2 – two-way angle 3 – three-way, two on pressure 4 – three-way, one on pressure 5 – three-way, two-stem manifold	<b>SOGWO – Sour Gas without Glands &amp; Collars</b>

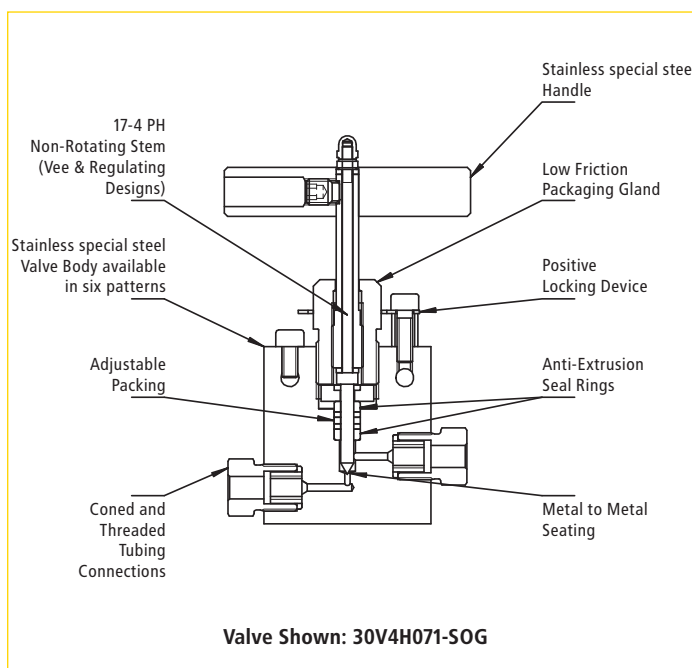
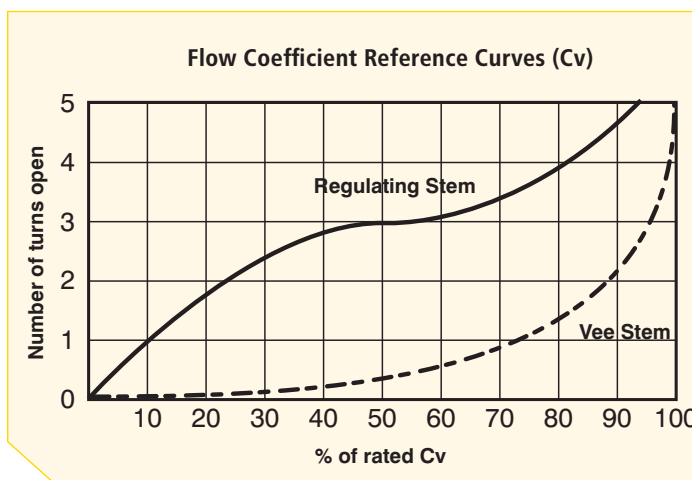
### Repair Kits

Consult your **MAXIMATOR** representative for repair kits and valve bodies. Refer to the Tools and Installation section for proper maintenance procedures.

O.D. Size in. (mm)	Connection Type	Orifice Size in. (mm)	Rated Cv*	Pressure/Temp. Rating psi @ R.T. ** (bar)
1/4 (6.35)	4HF	0.062 (1.6)	0.08	30,000 (2,070)
3/8 (9.53)	6HF	0.062 (1.6)	0.09	30,000 (2,070)
9/16 (14.3)	9HF	0.078 (2.0)	0.14	30,000 (2,070)

\* Cv valves shown are for 2-way straight pattern vee stem valves. For 2-way angle patterns, increase the Cv value by 50%.

\*\* See page 2 in the Technical Section for Pressure/Temperature Rating Chart.



Sour Service Products  
Pipe Valves & Fittings  
to 15,200 psi (1,050 bar)

Adapters and Couplings  
Medium Pressure  
to 21,000 psi (1,500 bar)

Accessories  
High Pressure  
to 65,000 psi (4,500 bar)

Tools and Installation  
Ultra High Pressure  
to 152,000 psi (10,500 bar)

Technical Information  
Valve Actuators

Ball Valves  
to 21,000 psi (1,500 bar)

All technical and dimensional information subject to change. All general Terms and Conditions of sale, including limitations of our liability, apply to all products and services sold.

# MAXIMATOR®

## High Pressure Valves for Sour Gas Applications Pressures to 30,000 psi (2,070 bar)

Valve Pattern	Catalog Number	Stem Type	O.D. Tube in.	Orifice in. (mm.)	Dimensions in. (mm)										Valve Panel Hole	Block Thickness
					A	B	C	D	E	F	H	I	J	K		
<b>2-Way Straight</b>																
	30V4H001-SOG	Vee	1/4	0.062	4.67	2.13	1.69	0.22	0.37	1.38	2.95	1.32	2.01	1.00	1.02	
	30V4H081-SOG	Reg		(1.6)	(118.6)	(54.1)	(43)	(5.6)	(9.5)	(35)	(75)	(33.5)	(51)			(25.4)
	30V6H001-SOG	Vee	3/8	0.062	4.80	2.24	1.69	0.22	0.37	1.38	2.95	1.32	2.01	1.00	1.02	
	30V6H081-SOG	Reg		(1.6)	(122)	(56.9)	(43)	(5.6)	(9.5)	(35)	(75)	(33.5)	(51)			(25.4)
	30V9H001-SOG	Vee	9/16	0.078	5.04	2.50	1.75	0.22	0.37	1.38	2.95	1.30	2.64	1.00	1.54	
	30V9H081-SOG	Reg		(2)	(128)	(63.5)	(44.5)	(5.6)	(9.5)	(35)	(75)	(33)	(57)			(25.4)
<b>2-Way Angle</b>																
	30V4H002-SOG	Vee	1/4	0.062	4.96	2.38	1.34	0.22	0.37	1.38	2.95	1.00	2.01	1.00	1.02	
	30V4H082-SOG	Reg		(1.6)	(126)	(60.5)	(34)	(5.6)	(9.5)	(35)	(75)	(25.4)	(51)			(25.4)
	30V6H002-SOG	Vee	3/8	0.062	5.16	2.62	1.32	0.22	0.37	1.38	2.95	1.00	2.01	1.00	1.02	
	30V6H082-SOG	Reg		(1.6)	(131)	(66.5)	(33.5)	(5.6)	(9.5)	(35)	(75)	(25.4)	(51)			(25.4)
	30V9H002-SOG	Vee	9/16	0.078	5.35	2.80	1.32	0.22	0.37	1.38	2.95	1.32	2.64	1.00	1.54	
	30V9H082-SOG	Reg		(2)	(136)	(71.1)	(33.5)	(5.6)	(9.5)	(35)	(75)	(33.5)	(57)			(25.4)
<b>3-Way / 2 on Pressure</b>																
	30V4H003-SOG	Vee	1/4	0.062	4.96	2.38	1.69	0.22	0.37	1.38	2.95	1.00	2.01	1.32	1.00	1.02
	30V4H083-SOG	Reg		(1.6)	(126)	(60.5)	(43)	(5.6)	(9.5)	(35)	(75)	(25.4)	(51)	(33.5)	(25.4)	(25.9)
	30V6H003-SOG	Vee	3/8	0.062	5.31	2.76	1.69	0.22	0.37	1.38	2.95	1.00	2.01	1.32	1.00	1.02
	30V6H083-SOG	Reg		(1.6)	(134.9)	(70.1)	(43)	(5.6)	(9.5)	(35)	(75)	(25.4)	(51)	(33.5)	(25.4)	(25.9)
	30V9H003-SOG	Vee	9/16	0.078	5.71	3.15	1.75	0.22	0.37	1.38	2.95	1.32	2.64	1.30	1.00	1.54
	30V9H083-SOG	Reg		(2)	(145)	(80)	(44.5)	(5.6)	(9.5)	(35)	(75)	(33.5)	(57)	(33)	(25.4)	(39.1)
<b>3-Way / 1 on Pressure</b>																
	30V4H004-SOG	Vee	1/4	0.062	4.96	2.38	1.32	0.22	0.37	1.38	2.95	1.00	2.01	1.00	1.02	
	30V4H084-SOG	Reg		(1.6)	(126)	(60.5)	(33.5)	(5.6)	(9.5)	(35)	(75)	(25.4)	(51)			(25.4)
	30V6H004-SOG	Vee	3/8	0.062	5.16	2.62	1.32	0.22	0.37	1.38	2.95	1.00	2.01	1.00	1.02	
	30V6H084-SOG	Reg		(1.6)	(131)	(66.5)	(33.5)	(5.6)	(9.5)	(35)	(75)	(25.4)	(51)			(25.4)
	30V9H004-SOG	Vee	9/16	0.078	5.35	2.80	1.32	0.22	0.37	1.38	2.95	1.32	2.64	1.00	1.54	
	30V9H084-SOG	Reg		(2)	(136)	(71.1)	(33.5)	(5.6)	(9.5)	(35)	(75)	(33.5)	(57)			(25.4)
<b>3-Way / 2-Stem Manifold</b>																
	30V4H005-SOG	Vee	1/4	0.062	8.56	3.44	1.72	0.22	0.37	1.38	2.95	1.00	2.01	1.32	1.00	1.02
	30V4H085-SOG	Reg		(1.6)	(217.4)	(87.4)	(43.7)	(5.6)	(9.5)	(35)	(75)	(25.4)	(51)	(33.5)	(25.4)	(25.9)
	30V6H005-SOG	Vee	3/8	0.062	8.56	3.76	1.89	0.22	0.37	1.38	2.95	1.00	2.01	1.32	1.00	1.02
	30V6H085-SOG	Reg		(1.6)	(217.4)	(95.5)	(48)	(5.6)	(9.5)	(35)	(75)	(25.4)	(51)	(33.5)	(25.4)	(25.9)
	30V9H005-SOG	Vee	9/16	0.078	9.25	4.13	2.07	0.22	0.37	1.38	2.95	1.32	2.64	1.30	1.00	1.54
	30V9H085-SOG	Reg		(2)	(235)	(105)	(52.6)	(5.6)	(9.5)	(35)	(75)	(33.5)	(57)	(33)	(25.4)	(39.1)
<b>2-Way Angle / Replaceable Seat</b>																
	30V4H802-SOG	Vee	1/4	0.062	5.16	2.62	1.32	0.22	0.37	1.38	2.95	1.00	2.01	1.00	1.02	
	30V4H882-SOG	Reg		(1.6)	(131)	(66.5)	(33.5)	(5.6)	(9.5)	(35)	(75)	(25.4)	(51)			(25.4)
	30V6H802-SOG	Vee	3/8	0.062	5.16	2.62	1.32	0.22	0.37	1.38	2.95	1.00	2.01	1.00	1.02	
	30V6H882-SOG	Reg		(1.6)	(131)	(66.5)	(33.5)	(5.6)	(9.5)	(35)	(75)	(25.4)	(51)			(25.4)
	30V9H802-SOG	Vee	9/16	0.078	5.16	2.62	1.32	0.22	0.37	1.38	2.95	1.32	2.64	1.00	1.54	
	30V9H882-SOG	Reg		(2)	(131)	(66.5)	(33.5)	(5.6)	(9.5)	(35)	(75)	(33.5)	(57)			(25.4)

G - Panel mounting screw thread size 10-24 UNC (screw included).  
All dimensions are for reference only and subject to change.

All technical and dimensional information subject to change. All general Terms and Conditions of sale, including limitations of our liability, apply to all products and services sold.

Sour Service  
Products  
Pipe Valves & Fittings  
to 15,200 psi (1,050 bar)

Adapters and  
Couplings  
Medium Pressure  
to 21,000 psi (1,500 bar)

Accessories  
High Pressure  
to 65,000 psi (4,500 bar)

Tools and  
Installation  
Ultra High Pressure  
to 152,000 psi (10,500 bar)

Technical  
Information  
Valve Actuators

Ball Valves  
to 21,000 psi (1,500 bar)

# MAXIMATOR®

## High Pressure Fittings for Sour Gas Applications

Pressures to 30,000 psi (2,070 bar)

**MAXIMATOR** Sour Gas Fittings are designed for oil and gas services where H<sub>2</sub>S is present. All pressure containing components are made from annealed 316 stainless steel material in compliance with NACE MR0175. All High Pressure fittings are supplied with collars and glands. Mounting holes are standard on all elbows, tees, and crosses.

Tubing Size	Gland	Collar	Plug	Tubing Cap
1/4	30G4H-SOG	30C4H-SOG	30P4H-SOG	30TC4H-SOG
3/8	30G6H-SOG	30C6H-SOG	30P6H-SOG	30TC6H-SOG
9/16	30G9H-SOG	30C9H-SOG	30P9H-SOG	30TC9H-SOG



### Connection Components

All high pressure fittings are supplied with glands and collars. Refer to the adjacent chart for ordering any of the connection components individually. When using the plug, the collar is not needed.

Fitting Pattern	Catalog Number	Connection Type	O.D. Tube Size in.	Orifice in. (mm)	Dimensions in. (mm)							Block Thickness
					A	B	C	D	E	F	G	

Elbow												
	30L4H-SOG	4HF	1/4	0.094 (2.3)	0.89 (22.6)	1.02 (25.9)	1.54 (39.1)	0.63 (16)	0.46 (11.7)	0.65 (16.5)	0.22 (5.6)	1.02 (25.9)
	30L6H-SOG	6HF	3/8	0.125 (3.2)	1.26 (32)	1.50 (38.1)	2.01 (51)	0.98 (24.9)	0.72 (18.3)	0.69 (18.3)	0.26 (6.6)	1.02 (25.9)
	30L9H-SOG	9HF	9/16	0.188 (4.8)	1.89 (48)	1.89 (48)	2.64 (67)	1.10 (28)	0.83 (21.1)	0.94 (23.9)	0.33 (8.4)	1.54 (39.1)

Tee												
	30T4H-SOG	4HF	1/4	0.094 (2.3)	1.00 (25.4)	1.26 (32)	2.01 (51)	0.89 (22.6)	0.46 (11.7)	1.30 (33)	0.22 (5.6)	1.02 (25.9)
	30T6H-SOG	6HF	3/8	0.125 (3.2)	1.00 (25.4)	1.57 (39.9)	2.01 (51)	1.06 (26.9)	0.72 (18.3)	1.38 (35)	0.26 (6.6)	1.02 (25.9)
	30T9H-SOG	9HF	9/16	0.188 (4.8)	1.32 (33.5)	2.13 (54.1)	2.64 (67)	1.38 (35)	0.83 (21.1)	1.89 (48)	0.33 (8.4)	1.54 (39.1)

See page 2 in the Technical Section for pressure/temperature rating chart.  
All dimensions are for reference only and are subject to change.

All technical and dimensional information subject to change. All general Terms and Conditions of sale, including limitations of our liability, apply to all products and services sold.

**Sour Service Products**  
 Pipe Valves & Fittings  
 to 15,200 psi (1,050 bar)

**Adapters and Couplings**  
 Medium Pressure  
 to 21,000 psi (1,500 bar)

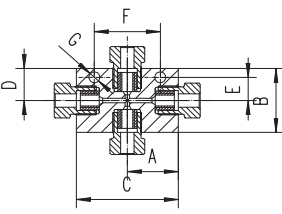
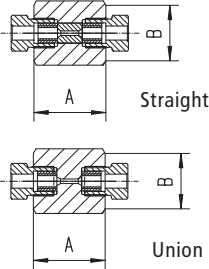
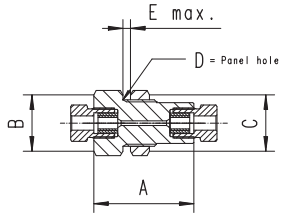
**Accessories**  
 High Pressure  
 to 65,000 psi (4,500 bar)

**Tools and Installation**  
 Ultra High Pressure  
 to 152,000 psi (10,500 bar)

**Technical Information**  
 Valve Actuators

**Ball Valves**  
 to 21,000 psi (1,500 bar)

## High Pressure Fittings for Sour Gas Applications Pressures to 30,000 psi (2,070 bar)

Fitting Pattern	Catalog Number	Connection Type	O.D. Tube Size in.	Orifice in. (mm)	Dimensions in. (mm)							Block Thickness
					A	B	C	D	E	F	G	
<b>Cross</b>												
	30X4H-SOG	4HF	1/4	0.094 (2.3)	1.00 (25.4)	1.26 (32)	2.01 (51.1)	0.63 (16)	0.46 (11.7)	1.30 (33)	0.22 (5.6)	1.02 (25.9)
	30X6H-SOG	6HF	3/8	0.125 (3.2)	1.00 (25.4)	2.13 (54.1)	2.01 (51.1)	1.06 (27)	0.72 (18.3)	1.38 (35)	0.26 (6.6)	1.02 (25.9)
	30X9H-SOG	9HF	9/16	0.188 (4.8)	1.32 (33.5)	2.76 (70.1)	2.64 (67)	1.38 (35)	0.83 (21.1)	1.89 (48)	0.33 (8.4)	1.54 (39.1)
<b>Straight Coupling / Union Coupling</b>												
	30F4H-SOG	4HF	1/4	0.094 (2.3)	1.38 (35)	1.06 (27)	Straight Coupling					
	30UF4H-SOG						Union Coupling					
	30F6H-SOG	6HF	3/8	0.125 (3.2)	1.77 (45)	1.06 (27)	Straight Coupling					
	30UF6H-SOG						Union Coupling					
	30F9H-SOG	9HF	9/16	0.188 (4.8)	2.19 (55.6)	1.44 (36.6)	Straight Coupling					
	30UF9H-SOG						Union Coupling					
<b>Bulkhead Coupling</b>												
	30BF4H-SOG	4HF	1/4	0.094 (2.3)	1.89 (48)	1.06 (27)	1.06 (27)	0.94 (23.9)	0.16 (4)			
	30BF6H-SOG	6HF	3/8	0.125 (3.2)	2.38 (60.5)	1.44 (36.6)	1.44 (36.6)	1.12 (28.5)	0.35 (8.9)			
	30BF9H-SOG	9HF	9/16	0.188 (4.8)	2.76 (70.1)	1.63 (41.3)	1.63 (41.3)	1.43 (36.3)	0.67 (17)			

See page 2 in the Technical Section for pressure/temperature rating chart.  
All dimensions are for reference only and are subject to change.

Sour Service  
Products  
Pipe Valves & Fittings  
to 15,200 psi (1,050 bar)

Adapters and  
Couplings  
Medium Pressure  
to 21,000 psi (1,500 bar)

Accessories  
High Pressure  
to 65,000 psi (4,500 bar)

Tools and  
Installation  
Ultra High Pressure  
to 152,000 psi (10,500 bar)

Technical  
Information  
Valve Actuators

Ball Valves  
to 21,000 psi (1,500 bar)

# MAXIMATOR®

## High Pressure Tubing for Sour Gas Applications

Pressures to 30,000 psi (2,070 bar)

**MAXIMATOR** Sour Gas Tubing is designed for oil and gas services where H<sub>2</sub>S is present. All tubing is seamless annealed 316 stainless steel material in compliance with NACE MR0175. This tubing is made under strict manufacturing and quality control standards and inspections, with dimensional tolerances to match the requirements of the high pressure coned and threaded connections.



### Tubing Tolerances

Normal Tubing Size in. (mm)	Tolerance O.D. in. (mm)
1/4 (6.35)	0.248 / 0.243 (6.299 / 6.172)
3/8 (9.53)	0.370 / 0.365 (9.398 / 9.271)
9/16 (14.29)	0.557 / 0.552 (14.148 / 14.021)

Catalog Number	Tube Material	Fits Connection Type	Tube Size in. (mm)		Working Pressure psi (bar)				
			O.D.	I.D.	-325 to 100°F (-198°C to 57°C)	200°F (93°C)	400°F (204°C)	600°F (315°C)	800°F (426°C)
30TU4H-316-SOG	316SS	4HF	1/4 (6.35)	0.06 (1.59)	30,000 (2,070)	27,000 (1,850)	24,900 (1,700)	22,800 (1,600)	21,600 (1,500)
30TU6H-316-SOG	316SS	6HF	3/8 (9.53)	0.125 (3.20)	30,000 (2,070)	27,000 (1,850)	24,900 (1,700)	22,800 (1,600)	21,600 (1,500)
30TU9H-316-SOG	316SS	9HF	9/16 (14.29)	0.188 (4.77)	30,000 (2,070)	27,000 (1,850)	24,900 (1,700)	22,800 (1,600)	21,600 (1,500)

All dimensions are for reference only and subject to change.

All technical and dimensional information subject to change. All general Terms and Conditions of sale, including limitations of our liability, apply to all products and services sold.

3999.1833 – DSB 09/2010

Sour Service  
Products  
Pipe Valves & Fittings  
to 15,200 psi (1,050 bar)

Adapters and  
Couplings  
Medium Pressure  
to 21,000 psi (1,500 bar)

Accessories  
High Pressure  
to 65,000 psi (4,500 bar)

Tools and  
Installation  
Ultra High Pressure  
to 152,000 psi (10,500 bar)

Technical  
Information  
Valve Actuators

Ball Valves  
to 21,000 psi (1,500 bar)



## Coned and Threaded Nipples for Sour Gas Applications Pressures to 30,000 psi (2,070 bar)



**MAXIMATOR** offers a line of coned and threaded high pressure tube nipples in a variety of lengths for all standard tube sizes.

The coned and threaded high pressure tube nipples are available in annealed 316 stainless steel. See chart below for ordering information.

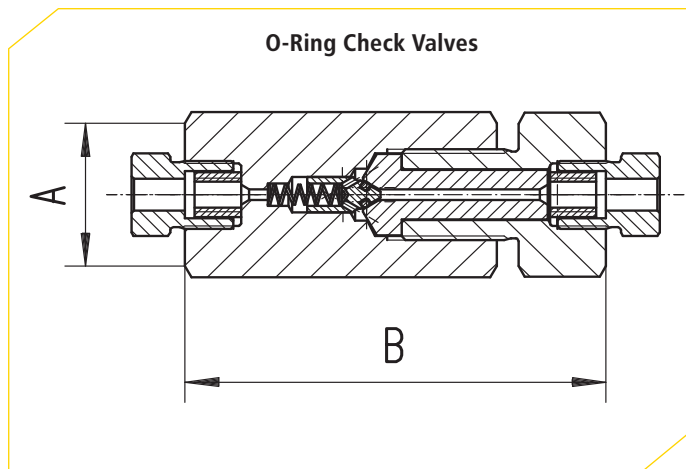
Special length coned and threaded nipples are available upon request. Consult **MAXIMATOR** for availability and price.

Catalog Numbers are 316 Stainless Steel material							Fits Connection Type	Tube Size in. (mm)		Working Pressure at 100°F psi (mm)
2.75" (69.85) Length	3" (76.2) Length	4" (101.6) Length	6" (152.4) Length	8" (203.2) Length	10" (254) Length	12" (304.8) Length		O.D.	I.D.	
30N4H-2.75-316-SOG	30N4H-3-316-SOG	30N4H-4-316-SOG	30N4H-6-316-SOG	30N4H-8-316-SOG	30N4H-10-316-SOG	30N4H-12-316-SOG	4HF	1/4	0.083 (2.11)	30,000 (2,070)
	30N6H-3-316-SOG	30N6H-4-316-SOG	30N6H-6-316-SOG	30N6H-8-316-SOG	30N6H-10-316-SOG	30N6H-12-316-SOG	6HF	3/8	0.125 (3.17)	30,000 (2,070)
		30N9H-4-316-SOG	30N9H-6-316-SOG	30N9H-8-316-SOG	30N9H-10-316-SOG	30N9H-12-316-SOG	9HF	9/16	0.188 (4.77)	30,000 (2,070)

*Standard nipples are not supplied with glands and collars, see Fittings on page 6 for these components.*

*See adjacent Tubing page 8, for pressure/temperature rating chart.*

*All dimensions are for reference only and subject to change.*



### O-Ring Check Valves

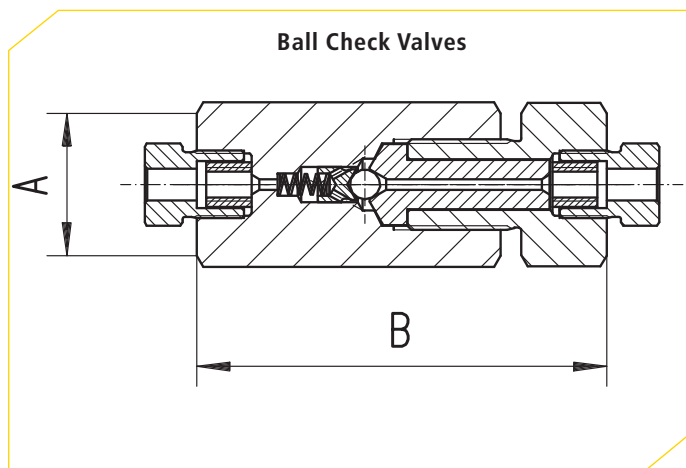
**MAXIMATOR** o-ring check valves provide high quality directional flow control and bubble tight shutoff for liquids and gases. These check valves are not to be used as a relief device. The opening pressure of the O-Ring Check Valves is approx. 10 psi (1.5 bar).

**Materials:**

Body, cover, poppet, cover gland: annealed 316 stainless steel

Spring: Inconel X-750

O-ring: Viton "A" (-4°F to 392°F)



### Ball Check Valves

**MAXIMATOR** ball check valves prevent reverse flow where bubble tight shutoff is not mandatory. These check valves are designed to operate to 660°F. These check valves are not to be used as a relief device. The opening pressure of the Ball Check Valves is approx. 10 psi (1.5 bar).

**Materials:**

Body, cover, poppet, cover gland: annealed 316 stainless steel

Ball: annealed 316 stainless steel

Spring: Inconel X-750

Catalog Number	Connection Type	Pressure Rating psi (bar)	Orifice in. (mm)	Rated (Cv)	Dimensions in. (mm)	
					A (Hex.)	B

O-Ring Check Valves							
300C4H-SOG	4HF	30,000 (2,070)	0.094 (2.3)	0.15	1.19 (30.2)	3.40 (86.4)	
300C6H-SOG	6HF	30,000 (2,070)	0.125 (3.2)	0.28	1.19 (30.2)	3.81 (96.8)	
300C9H-SOG	9HF	30,000 (2,070)	0.188 (4.8)	0.63	1.63 (41.4)	4.61 (117.1)	

Ball Check Valves							
30BC4H-SOG	4HF	30,000 (2,070)	0.094 (2.3)	0.15	1.19 (30.2)	3.40 (86.4)	
30BC6H-SOG	6HF	30,000 (2,070)	0.125 (3.2)	0.28	1.19 (30.2)	3.81 (96.8)	
30BC9H-SOG	9HF	30,000 (2,070)	0.188 (4.8)	0.63	1.63 (41.3)	4.61 (117.1)	

*CAUTION: FREQUENT INSPECTIONS of O-Rings are necessary to ensure proper service of the check valve. O-Rings have shown satisfactory service life in testing, however different service conditions may lead to variations in cycle and shelf life.*

*All dimensions are for reference only and subject to change.*

All technical and dimensional information subject to change. All general Terms and Conditions of sale, including limitations of our liability, apply to all products and services sold.

## Line Filters for Sour Gas Applications (2,070 bar)

### Dual-Disc Line Filters

MAXIMATOR dual-disc line filters are used to filter process fluids in high pressure systems. This design helps remove the large particles first through a coarse primary disc, which then allows a secondary disc to provide a smaller micron filtration. These filter elements are designed to withstand pressure surges without cracking, flaking, or rupturing. Filter elements come standard in the following micron sizes: 5/8, 8/30, 30/56 (secondary/primary). Filters are rated for temperatures -60°F to 660°F (-50°C to 350°C). All line filters come with glands and collars.

#### Materials

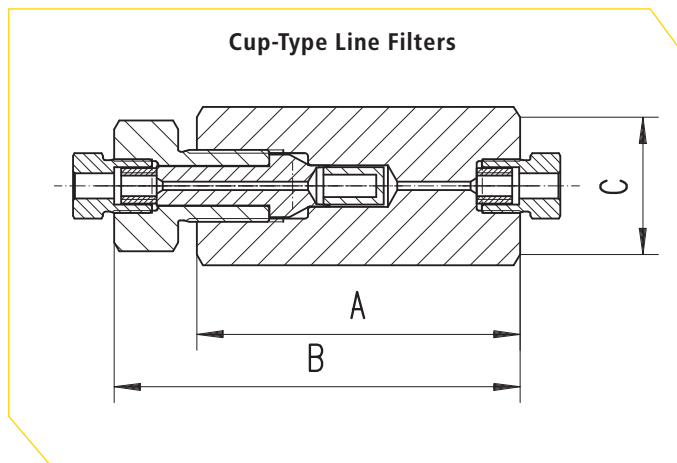
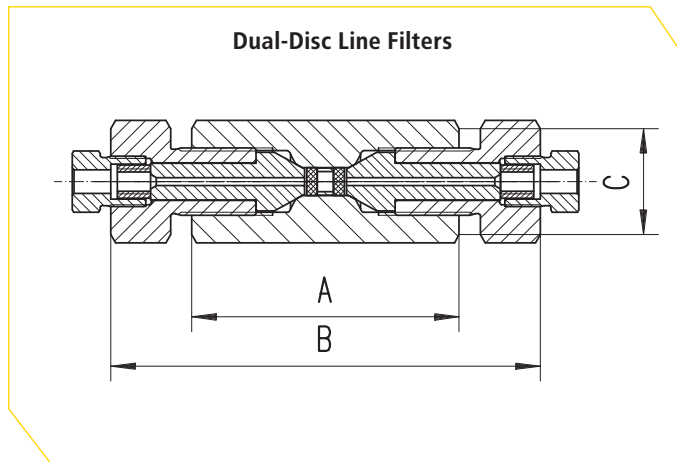
Body, cover, cover gland: annealed 316 series stainless steel  
Element: 300 series stainless steel

### Cup-Type Line Filters

MAXIMATOR cup-type line filters are used when maximum filtration surface area and a single micron size element is preferred. This design increases the filter area as much as 6 times the area of the disc type filter, and will permit higher flow rates with a lower pressure drop, and longer intervals between element changes. Filter elements come standard in 5, 30, or 56 micron sizes and are easily replaced. Filters are rated for temperatures -60°F to 660°F (-50°C to 350°C). All line filters come with glands and collars.

#### Materials:

Body, cover, cover gland: annealed 316 series stainless steel  
Element: 300 series stainless steel



Catalog Number	Pressure Rating psi (bar)	Orifice in. (mm)	Micron Size	Connection Type	Filter Element Areas in. <sup>2</sup> (mm <sup>2</sup> )	Dimensions in. (mm)		
						A	B	C (Hex.)
<b>Dual-Disc Line Filters</b>								
30DF4H-5/8-SOG	30,000 (2,070)	0.094 (2.3)	5/8	4HF	0.07 (50)	2.99 (76)	4.8 (121.9)	1.19 (30.2)
30DF4H-8/30-SOG			8/30					
30DF4H-30/56-SOG			30/56					
30DF6H-5/8-SOG	30,000 (2,070)	0.125 (3.2)	5/8	6HF	0.07 (50)	2.99 (76)	5.29 (134.4)	1.19 (30.2)
30DF6H-8/30-SOG			8/30					
30DF6H-30/56-SOG			30/56					
30DF9H-5/8-SOG	30,000 (2,070)	0.188 (4.8)	5/8	9HF	0.15 (95)	3.39 (86.1)	5.75 (146)	1.44 (36.6)
30DF9H-8/30-SOG			8/30					
30DF9H-30/56-SOG			30/56					
<b>Cup-Type Line Filters</b>								
30CF4H-5-SOG	30,000 (2,070)	0.094 (2.3)	5	4HF	0.82 (530)	3.39 (86.1)	4.25 (108)	1.44 (36.6)
30CF4H-30-SOG			30					
30CF4H-56-SOG			56					
30CF6H-5-SOG	30,000 (2,070)	0.125 (3.2)	5	6HF	0.82 (530)	3.39 (86.1)	4.44 (112.8)	1.44 (36.6)
30CF6H-30-SOG			30					
30CF6H-56-SOG			56					
30CF9H-5-SOG	30,000 (2,070)	0.188 (4.8)	5	9HF	0.82 (530)	4.06 (103.1)	5.28 (134.1)	1.63 (41.3)
30CF9H-30-SOG			30					
30CF9H-56-SOG			56					

*It is recommended that all fluids entering a high pressure system be thoroughly cleaned. Maximator filters are designed to remove small amounts of process particles. Pressure differential should not exceed 1000 psi across the filter elements.*

*All dimensions for reference only and are subject of change.*

All technical and dimensional information subject to change. All general Terms and Conditions of sale, including limitations of our liability, apply to all products and services sold.

**Sour Service Products**  
 Pipe Valves & Fittings  
 to 15,200 psi (1,050 bar)

**Adapters and Couplings**  
 Medium Pressure  
 to 21,000 psi (1,500 bar)

**Accessories**  
 High Pressure  
 to 65,000 psi (4,500 bar)

**Tools and Installation**  
 Ultra High Pressure  
 to 152,000 psi (10,500 bar)

**Technical Information**  
 Valve Actuators

**Ball Valves**  
 to 21,000 psi (1,500 bar)

# MAXIMATOR®

## Sour Gas Adapters and Couplings

### Adapters (male to female)

#### Adapters (male to female)

MAXIMATOR sour gas adapters and couplings are designed to join a variety of pressure connections where H<sub>2</sub>S is present. All adapters are made of annealed 316 stainless steel material that meets NACE MR0175 specification.

#### Instructions

Find the male connection you want on the adapter in the "A" column and the female connection of the adapter in the "B" column. At the intersection of the two columns is the appropriate catalog number.



Pressure Series	Male Connection "A"			Female Connection "B"					
	Tube Size in.	Connection Type	Maximum Pressure psi (bar)*	Female High Pressure 30,000 psi (2,070 bar)			Female Pipe 10,000 psi (700 bar)		
				1/4" 4HF	3/8" 6HF	9/16" 9HF	1/8" FNPT	1/4" FNPT	3/8" FNPT
Male High	1/4	4HM	30,000 (2,070)		30A4H6H-SOG	30A4H9H-SOG	10A4H2P-SOG	10A4H4P-SOG	10A4H6P-SOG
	3/8	6HM	30,000 (2,070)	30A6H4H-SOG		30A6H9H-SOG	10A6H2P-SOG	10A6H4P-SOG	10A6H6P-SOG
	9/16	9HM	30,000 (2,070)	30A9H4H-SOG	30A9H6H-SOG		10A9H2P-SOG	10A9H4P-SOG	10A9H6P-SOG
Male Pipe	1/8	MNPT	10,000 (700)	10A2P4H-SOG	10A2P6H-SOG	10A2P9H-SOG			
	1/4	MNPT	10,000 (700)	10A4P4H-SOG	10A4P6H-SOG	10A4P9H-SOG			
	3/8	MNPT	10,000 (700)	10A6P4H-SOG	10A6P6H-SOG	10A6P9H-SOG			
	1/2	MNPT	10,000 (700)	10A8P4H-SOG	10A8P6H-SOG	10A8P9H-SOG			
	3/4	MNPT	10,000 (700)	10A12P4H-SOG	10A12P6H-SOG	10A12P9H-SOG			
	1	MNPT	10,000 (700)	10A16P4H-SOG	10A16P6H-SOG	10A16P9H-SOG			
Male British Standard Pipe	1/8	MBSP	10,000 (700)	10A2B4H-SOG	10A2B6H-SOG	10A2B9H-SOG			
	1/4	MBSP	10,000 (700)	10A4B4H-SOG	10A4B6H-SOG	10A4B9H-SOG			
	3/8	MBSP	10,000 (700)	10A6B4H-SOG	10A6B6H-SOG	10A6B9H-SOG			
	1/2	MBSP	10,000 (700)	10A8B4H-SOG	10A8B6H-SOG	10A8B9H-SOG			
	3/4	MBSP	10,000 (700)	10A12B4H-SOG	10A12B6H-SOG	10A12B9H-SOG			
	1	MBSP	10,000 (700)	10A16B4H-SOG	10A16B6H-SOG	10A16B9H-SOG			

\* The pressure rating of any adapter is the value of the lowest rated connection in the fitting. Note: All Maximator adapters come standard in the "one-piece" design style. Adapters with the two piece design are available by adding a suffix -2P after the part numbers listed above. Both designs are identical in length, and are interchangeable with each other.

All technical and dimensional information subject to change. All general Terms and Conditions of sale, including limitations of our liability, apply to all products and services sold.

**Sour Service Products**  
 Pipe Valves & Fittings  
 to 15,200 psi (1,050 bar)

**Adapters and Couplings**  
 Medium Pressure  
 to 21,000 psi (1,500 bar)

**Accessories**  
 High Pressure  
 to 65,000 psi (4,500 bar)

**Tools and Installation**  
 Ultra High Pressure  
 to 152,000 psi (10,500 bar)

**Technical Information**  
 Valve Actuators

**Ball Valves**  
 to 21,000 psi (1,500 bar)

# MAXIMATOR®

## Sour Gas Adapters and Couplings Adapters (male to female)

Sour Service  
Products  
Pipe Valves & Fittings  
to 15,200 psi (1,050 bar)

Adapters and  
Couplings  
Medium Pressure  
to 21,000 psi (1,500 bar)

Accessories  
High Pressure  
to 65,000 psi (4,500 bar)

Tools and  
Installation  
Ultra High Pressure  
to 152,000 psi (10,500 bar)

Technical  
Information  
Valve Actuators

Ball Valves  
to 21,000 psi (1,500 bar)

Female Connection "B"									
Female Pipe 10,000 psi (700 bar)			Female British Standard Pipe 10,000 psi (700 bar)						
1/2" FNPT	3/4" FNPT	1" FNPT	1/8" FBSP	1/4" FBSP	3/8" FBSP	1/2" FBSP	3/4" FBSP	1" FBSP	
10A4H8P-SOG	10A4H12P-SOG	10A4H16P-SOG	10A4H2B-SOG	10A4H4B-SOG	10A4H6B-SOG	10A4H8B-SOG	10A4H12B-SOG	10A4H16B-SOG	
10A6H8P-SOG	10A6H12P-SOG	10A6H16P-SOG	10A6H2B-SOG	10A6H4B-SOG	10A6H6B-SOG	10A6H8B-SOG	10A6H12B-SOG	10A6H16B-SOG	
10A9H8P-SOG	10A9H12P-SOG	10A9H16P-SOG	10A9H2B-SOG	10A9H4B-SOG	10A9H6B-SOG	10A9H8B-SOG	10A9H12B-SOG	10A9H16B-SOG	

\* The pressure rating of any adapter is the value of the lowest rated connection in the fitting.

# MAXIMATOR®

## Sour Gas Adapters and Couplings

### Couplings and Adapters

### Couplings (female to female)

MAXIMATOR sour gas adapters and couplings are designed to join a variety of pressure connections where H<sub>2</sub>S is present. All adapters are made of annealed 316 stainless steel material that meets NACE MR0175 specification.



Pressure Series	Female Connection "A"			Female Connection "B"					
	Tube Size in.	Connection Type	Maximum Pressure psi (bar)*	Female High Pressure 30,000 psi (2,070 bar)			Female Pipe 10,000 psi (700 bar)		
				1/4" 4HF	3/8" 6HF	9/16" 9HF	1/8" FNPT	1/4" FNPT	3/8" FNPT
Female High	1/4	4HF	30,000 (2,070)	30F4H-SOG	30F4H6H-SOG	30F4H9H-SOG	10F4H2P-SOG	10F4H4P-SOG	10F4H6P-SOG
	3/8	6HF	30,000 (2,070)		30F6H-SOG	30F6H9H-SOG	10F6H2P-SOG	10F6H4P-SOG	10F6H6P-SOG
	9/16	9HF	30,000 (2,070)			30F9H-SOG	10F9H2P-SOG	10F9H4P-SOG	10F9H6P-SOG

\* The pressure rating of any adapter is the value of the lowest rated connection in the fitting.

### Adapters (male to male)

MAXIMATOR male to male adapters allow the joining of two different sizes and/or type of tube or pipe female connections.



Pressure Series	Male Connection "A"			Male Connection "B"					
	Tube Size in.	Connection Type	Maximum Pressure psi (bar)*	Male High Pressure 30,000 psi (2,070 bar)			Male Pipe 10,000 psi (700 bar)		
				1/4" 4HF	3/8" 6HF	9/16" 9HF	1/8" FNPT	1/4" FNPT	3/8" FNPT
Male High	1/4	4HM	30,000 (2,070)	30M4H-SOG	30M4H6H-SOG	30M4H9H-SOG	10M4H2P-SOG	10M4H4P-SOG	10M4H6P-SOG
	3/8	6HM	30,000 (2,070)		30M6H-SOG	30M6H9H-SOG	10M6H2P-SOG	10M6H4P-SOG	10M6H6P-SOG
	9/16	9HM	30,000 (2,070)			30M9H-SOG	10M9H2P-SOG	10M9H4P-SOG	10M9H6P-SOG

\* The pressure rating of any adapter is the value of the lowest rated connection in the fitting.

All technical and dimensional information subject to change. All general Terms and Conditions of sale, including limitations of our liability, apply to all products and services sold.

**Sour Service Products**  
**Adapters and Couplings**  
**Accessories**  
**Tools and Installation**  
**Technical Information**  
**Valve Actuators**  
**Ball Valves**

Pipe Valves & Fittings  
 to 15,200 psi (1,050 bar)

Medium Pressure  
 to 21,000 psi (1,500 bar)

High Pressure  
 to 65,000 psi (4,500 bar)

Ultra High Pressure  
 to 152,000 psi (10,500 bar)

to 21,000 psi (1,500 bar)

# MAXIMATOR®

## Sour Gas Adapters and Couplings (Couplings and Adapters)

Sour Service  
Products  
Pipe Valves & Fittings  
to 15,200 psi (1,050 bar)

Adapters and  
Couplings  
Medium Pressure  
to 21,000 psi (1,500 bar)

Accessories  
High Pressure  
to 65,000 psi (4,500 bar)

Tools and  
Installation  
Ultra High Pressure  
to 152,000 psi (10,500 bar)

Technical  
Information  
Valve Actuators

Ball Valves  
to 21,000 psi (1,500 bar)

Female Connection "B"									
Female Pipe 10,000 psi (700 bar)			Female British Standard Pipe 10,000 psi (700 bar)						
1/2" FNPT	3/4" FNPT	1" FNPT	1/8" FBSP	1/4" FBSP	3/8" FBSP	1/2" FBSP	3/4" FBSP	1" FBSP	
10F4H8P-SOG	10F4H12P-SOG	10F4H16P-SOG	10F4H2B-SOG	10F4H4B-SOG	10F4H6B-SOG	10F4H8B-SOG	10F4H12B-SOG	10F4H16B-SOG	
10F6H8P-SOG	10F6H12P-SOG	10F6H16P-SOG	10F6H2B-SOG	10F6H4B-SOG	10F6H6B-SOG	10F6H8B-SOG	10F6H12B-SOG	10F6H16B-SOG	
10F9H8P-SOG	10F9H12P-SOG	10F9H16P-SOG	10F9H2B-SOG	10F9H4B-SOG	10F9H6B-SOG	10F9H8B-SOG	10F9H12B-SOG	10F9H16B-SOG	

\* The pressure rating of any adapter is the value of the lowest rated connection in the fitting.

Male Connection "B"									
Male Pipe 10,000 psi (700 bar)			Male British Standard Pipe 10,000 psi (700 bar)						
1/2" FNPT	3/4" FNPT	1" FNPT	1/8" FBSP	1/4" FBSP	3/8" FBSP	1/2" FBSP	3/4" FBSP	1" FBSP	
10M4H8P-SOG	10M4H12P-SOG	10M4H16P-SOG	10M4H2B-SOG	10M4H4B-SOG	10M4H6B-SOG	10M4H8B-SOG	10M4H12B-SOG	10M4H16B-SOG	
10M6H8P-SOG	10M6H12P-SOG	10M6H16P-SOG	10M6H2B-SOG	10M6H4B-SOG	10M6H6B-SOG	10M6H8B-SOG	10M6H12B-SOG	10M6H16B-SOG	
10M9H8P-SOG	10M9H12P-SOG	10M9H16P-SOG	10M9H2B-SOG	10M9H4B-SOG	10M9H6B-SOG	10M9H8B-SOG	10M9H12B-SOG	10M9H16B-SOG	

\* The pressure rating of any adapter is the value of the lowest rated connection in the fitting.

All technical and dimensional information subject to change. All general Terms and Conditions of sale, including limitations of our liability, apply to all products and services sold.



## Adapters and Couplings

Pressures to 152,000 psi (10,500 bar)

**MAXIMATOR** designs and manufactures a wide variety of adapters and couplings in an array of styles and sizes. The adapters in this section are considered standard and readily available. Other materials and configurations are available upon request.

### Adapters, Couplings & Accessories feature:

- ▶ Adapters & Couplings are 316 cold worked stainless steel material.
- ▶ Traceability is ensured by component laser etching, and through extensive documentation which includes: part number, pressure, material batch numbers, and connection type.
- ▶ Adapters are available in one or two-piece designs.
- ▶ Safety weep holes come standard on all pressure connections.
- ▶ All medium, high and ultra high pressure Adapters and Couplings come complete with glands and collars.

**MAXIMATOR** offers a complete line of standard high pressure adapters and couplings to compliment our valve line. Special design adapters and materials are available upon request.

**Note:** When selecting multiple items, the pressure rating would be that of the lowest rated component.

### Adapters, Couplings & Accessories Index

Adapters (male to female) . . . . .	2-4
Couplings (female to female) & Adapters (male to male) . . . . .	5-8

**Factory**      **MAXIMATOR GmbH**  
Lange Straße 6  
99734 Nordhausen  
Germany

Telephone: +49 (0) 3631 9533-0  
Facsimile: +49 (0) 3631 9533-5010  
E-Mail: info@maximator.de  
Internet: www.maximator.de

All technical and dimensional information subject to change. All general Terms and Conditions of sale, including limitations of our liability, apply to all products and services sold.



## Adapters and Couplings

### Adapters (male to female)

#### Adapters (male to female)

MAXIMATOR male to female adapters allow the joining of male to female connections. The two connections can be a variety of tube or pipe connection types, with different size combinations possible. All adapters are made of 316 cold worked stainless steel material; other materials are available upon request. Glands and collars are included with each female tube connection.



#### Instructions

Find the male connection you want on the adapter in the "A" column and the female connection of the adapter in the "B" column. At the intersection of the two columns is the appropriate catalog number.

Pressure Series	Male Connection "A"			Female Connection "B"				
	Tube Size in.	Connection Type	Maximum Pressure psi (bar)*	Female Medium Pressure 21,000 psi (1,500 bar)				
				1/4" 4MF	3/8" 6MF	9/16" 9MF	3/4" 12MF	1" 16MF
Male Medium	1/4	4MM	21,000 (1,500)		21A4M6M	21A4M9M	21A4M12M	21A4M16M
	3/8	6MM	21,000 (1,500)	21A6M4M		21A6M9M	21A6M12M	21A6M16M
	9/16	9MM	21,000 (1,500)	21A9M4M	21A9M6M		21A9M12M	21A9M16M
	3/4	12MM	21,000 (1,500)	21A12M4M	21A12M6M	21A12M9M		21A12M16M
	1	16MM	21,000 (1,500)	21A16M4M	21A16M6M	21A16M9M	21A16M12M	
Male High	1/4	4HM	65,000 (4,500)	21A4H4M	21A4H6M	21A4H9M	21A4H12M	21A4H16M
	3/8	6HM	65,000 (4,500)	21A6H4M	21A6H6M	21A6H9M	21A6H12M	21A6H16M
	9/16	9HM	65,000 (4,500)	21A9H4M	21A9H6M	21A9H9M	21A9H12M	21A9H16M
Male Ultra High	5/16	5UM	152,000 (10,500)	21A5U4M	21A5U6M	21A5U9M	21A5U12M	21A5U16M
Male Pipe	1/8	MNPT	15,200 (1,050)	15A2P4M	15A2P6M	15A2P9M	15A2P12M	15A2P16M
	1/4	MNPT	15,200 (1,050)	15A4P4M	15A4P6M	15A4P9M	15A4P12M	15A4P16M
	3/8	MNPT	15,200 (1,050)	15A6P4M	15A6P6M	15A6P9M	15A6P12M	15A6P16M
	1/2	MNPT	15,200 (1,050)	15A8P4M	15A8P6M	15A8P9M	15A8P12M	15A8P16M
	3/4	MNPT	15,200 (1,050)	15A12P4M	15A12P6M	15A12P9M	15A12P12M	15A12P16M
	1	MNPT	15,200 (1,050)	15A16P4M	15A16P6M	15A16P9M	15A16P12M	15A16P16M
Male British Standard Pipe	1/8	MBSP	15,200 (1,050)	15A2B4M	15A2B6M	15A2B9M	15A2B12M	15A2B16M
	1/4	MBSP	15,200 (1,050)	15A4B4M	15A4B6M	15A4B9M	15A4B12M	15A4B16M
	3/8	MBSP	15,200 (1,050)	15A6B4M	15A6B6M	15A6B9M	15A6B12M	15A6B16M
	1/2	MBSP	15,200 (1,050)	15A8B4M	15A8B6M	15A8B9M	15A8B12M	15A8B16M
	3/4	MBSP	15,200 (1,050)	15A12B4M	15A12B6M	15A12B9M	15A12B12M	15A12B16M
	1	MBSP	15,200 (1,050)	15A16B4M	15A16B6M	15A16B9M	15A16B12M	15A16B16M

\* The pressure rating of any adapter is the value of the lowest rated connection in the fitting. Note: All Maximator adapters come standard in the "one-piece" design style. Adapters with the two piece design are available by adding a suffix -2P after the part numbers listed above. Both designs are identical in length, and are interchangeable with each other.

**Sour Service Products**  
 Pipe Valves & Fittings to 15,200 psi (1,050 bar)  
**Adapters and Couplings**  
 Medium Pressure to 21,000 psi (1,500 bar)  
**Accessories**  
 High Pressure to 65,000 psi (4,500 bar)  
**Tools and Installation**  
 Ultra High Pressure to 152,000 psi (10,500 bar)  
**Technical Information**  
 Valve Actuators  
**Ball Valves**  
 to 21,000 psi (1,500 bar)



Female Connection "B"

Female High Pressure 65,000 psi (4,500 bar)				Female Ultra-High Pressure 152,000 psi (10,500 bar)	Female Pipe 15,200 psi (1,050 bar)					
1/4" 4HF	3/8" 6HF	9/16" 9HF	5/16" 5UF		1/8" FNPT	1/4" FNPT	3/8" FNPT	1/2" FNPT	3/4" FNPT	1" FNPT
21A4M4H	21A4M6H	21A4M9H	21A4M5U		15A4M2P	15A4M4P	15A4M6P	15A4M8P	15A4M12P	15A4M16P
21A6M4H	21A6M6H	21A6M9H	21A6M5U		15A6M2P	15A6M4P	15A6M6P	15A6M8P	15A6M12P	15A6M16P
21A9M4H	21A9M6H	21A9M9H	21A9M5U		15A9M2P	15A9M4P	15A9M6P	15A9M8P	15A9M12P	15A9M16P
21A12M4H	21A12M6H	21A12M9H	21A12M5U		15A12M2P	15A12M4P	15A12M6P	15A12M8P	15A12M12P	15A12M16P
21A16M4H	21A16M6H	21A16M9H	21A16M5U		15A16M2P	15A16M4P	15A16M6P	15A16M8P	15A16M12P	15A16M16P
	65A4H6H	65A4H9H	65A4H5U		15A4H2P	15A4H4P	15A4H6P	15A4H8P	15A4H12P	15A4H16P
65A6H4H		65A6H9H	65A6H5U		15A6H2P	15A6H4P	15A6H6P	15A6H8P	15A6H12P	15A6H16P
65A9H4H	65A9H6H		65A9H5U		15A9H2P	15A9H4P	15A9H6P	15A9H8P	15A9H12P	15A9H16P
65A5U4H	65A5U6H	65A5U9H			15A5U2P	15A5U4P	15A5U6P	15A5U8P	15A5U12P	15A5U16P
15A2P4H	15A2P6H	15A2P9H	15A2P5U							
15A4P4H	15A4P6H	15A4P9H	15A4P5U							
15A6P4H	15A6P6H	15A6P9H	15A6P5U							
15A8P4H	15A8P6H	15A8P9H	15A8P5U							
15A12P4H	15A12P6H	15A12P9H	15A12P5U							
15A16P4H	15A16P6H	15A16P9H	15A16P5U							
15A2B4H	15A2B6H	15A2B9H	15A2B5U							
15A4B4H	15A4B6H	15A4B9H	15A4B5U							
15A6B4H	15A6B6H	15A6B9H	15A6B5U							
15A8B4H	15A8B6H	15A8B9H	15A8B5U							
15A12B4H	15A12B6H	15A12B9H	15A12B5U							
15A16B4H	15A16B6H	15A16B9H	15A16B5U							

All technical and dimensional information subject to change. All general Terms and Conditions of sale, including limitations of our liability, apply to all products and services sold.

# MAXIMATOR®

## Adapters and Couplings Adapters (male to female)

Female British Standard Pipe 15,200 psi (1,050 bar)						
	1/8" FBSP	1/4" FBSP	3/8" FBSP	1/2" FBSP	3/4" FBSP	1" FBSP
	15A4M2B	15A4M4B	15A4M6B	15A4M8B	15A4M12B	15A4M16B
	15A6M2B	15A6M4B	15A6M6B	15A6M8B	15A6M12B	15A6M16B
	15A9M2B	15A9M4B	15A9M6B	15A9M8B	15A9M12B	15A9M16B
	15A12M2B	15A12M4B	15A12M6B	15A12M8B	15A12M12B	15A12M16B
	15A16M2B	15A16M4B	15A16M6B	15A16M8B	15A16M12B	15A16M16B
	15A4H2B	15A4H4B	15A4H6B	15A4H8B	15A4H12B	15A4H16B
	15A6H2B	15A6H4B	15A6H6B	15A6H8B	15A6H12B	15A6H16B
	15A9H2B	15A9H4B	15A9H6B	15A9H8B	15A9H12B	15A9H16B
	15A5U2B	15A5U4B	15A5U6B	15A5U8B	15A5U12B	15A5U16B

\* The pressure rating of any adapter is the value of the lowest rated connection in the fitting.

**Sour Service Products**  
Pipe Valves & Fittings  
to 15,200 psi (1,050 bar)

**Adapters and Couplings**  
Medium Pressure  
to 21,000 psi (1,500 bar)

**Accessories**  
High Pressure  
to 65,000 psi (4,500 bar)

**Tools and Installation**  
Ultra High Pressure  
to 152,000 psi (10,500 bar)

**Technical Information**  
Valve Actuators

**Ball Valves**  
to 21,000 psi (1,500 bar)

## Adapters and Couplings

### Couplings and Adapters

### Couplings (female to female)

MAXIMATOR couplings are female to female fittings that allow the joining of two different sizes and/or types of connections for a variety of size combinations. All couplings and adapters are made of 316 cold worked stainless steel material; other materials are available upon request. Glands and collars are included with each female tube connection.



### Instructions

Find the first connection you want in the "A" column and the other connection in the "B" column. At the intersection of the two columns is the appropriate catalog number.

Pressure Series	Female Connection "A"			Female Connection "B"				
	Tube Size in.	Connection Type	Maximum Pressure psi (bar)*	Female Medium Pressure 21,000 psi (1,500 bar)				
				1/4" 4MF	3/8" 6MF	9/16" 9MF	3/4" 12MF	1" 16MF
Female Medium	1/4	4MF	21,000 (1,500)	21F4M	21F4M6M	21F4M9M	21F4M12M	21F4M16M
	3/8	6MF	21,000 (1,500)		21F6M	21F6M9M	21F6M12M	21F6M16M
	9/16	9MF	21,000 (1,500)			21F9M	21F9M12M	21F9M16M
	3/4	12MF	21,000 (1,500)				21F12M	21F12M16M
	1	16MF	21,000 (1,500)					21F16M
Female High	1/4	4HF	65,000 (4,500)					
	3/8	6HF	65,000 (4,500)					
	9/16	9HF	65,000 (4,500)					
Female Ultra High	5/16	5UF	152,000 (10,500)					

\* The pressure rating of any adapter is the value of the lowest rated connection in the fitting.

### Adapters (male to male)

MAXIMATOR male to male adapters allow the joining of two different sizes and/or types of tube or pipe female connections.



Pressure Series	Male Connection "A"			Male Connection "B"				
	Tube Size in.	Connection Type	Maximum Pressure psi (bar)*	Male Medium Pressure 21,000 psi (1,500 bar)				
				1/4" 4MM	3/8" 6MM	9/16" 9MM	3/4" 12MM	1" 16MM
Male Medium	1/4	4MM	21,000 (1,500)	21M4M	21M4M6M	21M4M9M	21M4M12M	21M4M16M
	3/8	6MM	21,000 (1,500)		21M6M	21M6M9M	21M6M12M	21M6M16M
	9/16	9MM	21,000 (1,500)			21M9M	21M9M12M	21M9M16M
	3/4	12MM	21,000 (1,500)				21M12M	21M12M16M
	1	16MM	21,000 (1,500)					21M16M
Male High	1/4	4HM	65,000 (4,500)					
	3/8	6HM	65,000 (4,500)					
	9/16	9HM	65,000 (4,500)					
Male Ultra High	5/16	5UM	152,000 (10,500)					

\* The pressure rating of any adapter is the value of the lowest rated connection in the fitting.

All technical and dimensional information subject to change. All general Terms and Conditions of sale, including limitations of our liability, apply to all products and services sold.



Female Connection "B"

Female High Pressure 65,000 psi (4,500 bar)			Female Ultra High Pressure 152,000 psi (10,500 bar)	Female Pipe 15,200 psi (1,050 bar)					
1/4" 4HF	3/8" 6HF	9/16" 9HF	5/16" 5UF	1/8" FNPT	1/4" FNPT	3/8" FNPT	1/2" FNPT	3/4" FNPT	1" FNPT
21F4M4H	21F4M6H	21F4M9H	21F4M5U	15F4M2P	15F4M4P	15F4M6P	15F4M8P	15F4M12P	15F4M16P
21F6M4H	21F6M6H	21F6M9H	21F6M5U	15F6M2P	15F6M4P	15F6M6P	15F6M8P	15F6M12P	15F6M16P
21F9M4H	21F9M6H	21F9M9H	21F9M5U	15F9M2P	15F9M4P	15F9M6P	15F9M8P	15F9M12P	15F9M16P
21F12M4H	21F12M6H	21F12M9H	21F12M5U	15F12M2P	15F12M4P	15F12M6P	15F12M8P	15F12M12P	15F12M16P
21F16M4H	21F16M6H	21F16M9H	21F16M5U	15F16M2P	15F16M4P	15F16M6P	15F16M8P	15F16M12P	15F16M16P
65F4H	65F4H6H	65F4H9H	65F4H5U	15F4H2P	15F4H4P	15F4H6P	15F4H8P	15F4H12P	15F4H16P
	65F6H	65F6H9H	65F6H5U	15F6H2P	15F6H4P	15F6H6P	15F6H8P	15F6H12P	15F6H16P
		65F9H	65F9H5U	15F9H2P	15F9H4P	15F9H6P	15F9H8P	15F9H12P	15F9H16P
			152F5U	15F5U2P	15F5U4P	15F5U6P	15F5U8P	15F5U12P	15F5U16P

\* The pressure rating of any adapter is the value of the lowest rated connection in the fitting.



Male Connection "B"

Male High Pressure 65,000 psi (4,500 bar)			Male Ultra High Pressure 152,000 psi (10,500 bar)	Male Pipe 15,200 psi (1,050 bar)					
1/4" 4HM	3/8" 6HM	9/16" 9HM	5/16" 5UM	1/8" MNPT	1/4" MNPT	3/8" MNPT	1/2" MNPT	3/4" MNPT	1" MNPT
21M4M4H	21M4M6H	21M4M9H	21M4M5U	15M4M2P	15M4M4P	15M4M6P	15M4M8P	15M4M12P	15M4M16P
21M6M4H	21M6M6H	21M6M9H	21M6M5U	15M6M2P	15M6M4P	15M6M6P	15M6M8P	15M6M12P	15M6M16P
21M9M4H	21M9M6H	21M9M9H	21M9M5U	15M9M2P	15M9M4P	15M9M6P	15M9M8P	15M9M12P	15M9M16P
21M12M4H	21M12M6H	21M12M9H	21M12M5U	15M12M2P	15M12M4P	15M12M6P	15M12M8P	15M12M12P	15M12M16P
21M16M4H	21M16M6H	21M16M9H	21M16M5U	15M16M2P	15M16M4P	15M16M6P	15M16M8P	15M16M12P	15M16M16P
65M4H	65M4H6H	65M4H9H	65M4H5U	15M4H2P	15M4H4P	15M4H6P	15M4H8P	15M4H12P	15M4H16P
	65M6H	65M6H9H	65M6H5U	15M6H2P	15M6H4P	15M6H6P	15M6H8P	15M6H12P	15M6H16P
		65M9H	65M9H5U	15M9H2P	15M9H4P	15M9H6P	15M9H8P	15M9H12P	15M9H16P
			152M5U	15M5U2P	15M5U4P	15M5U6P	15M5U8P	15M5U12P	15M5U16P

\* The pressure rating of any adapter is the value of the lowest rated connection in the fitting.  
All technical and dimensional information subject to change. All general Terms and Conditions of sale, including limitations of our liability, apply to all products and services sold.

# MAXIMATOR®

## Adapters and Couplings Couplings and Adapters

Female British Standard Pipe 15,200 psi (1,050 bar)						
	1/8" FBSP	1/4" FBSP	3/8" FBSP	1/2" FBSP	3/4" FBSP	1" FBSP
	15F4M2B	15F4M4B	15F4M6B	15F4M8B	15F4M12B	15F4M16B
	15F6M2B	15F6M4B	15F6M6B	15F6M8B	15F6M12B	15F6M16B
	15F9M2B	15F9M4B	15F9M6B	15F9M8B	15F9M12B	15F9M16B
	15F12M2B	15F12M4B	15F12M6B	15F12M8B	15F12M12B	15F12M16B
	15F16M2B	15F16M4B	15F16M6B	15F16M8B	15F16M12B	15F16M16B
	15F4H2B	15F4H4B	15F4H6B	15F4H8B	15F4H12B	15F4H16B
	15F6H2B	15F6H4B	15F6H6B	15F6H8B	15F6H12B	15F6H16B
	15F9H2B	15F9H4B	15F9H6B	15F9H8B	15F9H12B	15F9H16B
	15F5U2B	15F5U4B	15F5U6B	15F5U8B	15F5U12B	15F5U16B

Male British Standard Pipe 15,200 psi (1,050 bar)						
	1/8" MBSP	1/4" MBSP	3/8" MBSP	1/2" MBSP	3/4" MBSP	1" MBSP
	15M4M2B	15M4M4B	15M4M6B	15M4M8B	15M4M12B	15M4M16B
	15M6M2B	15M6M4B	15M6M6B	15M6M8B	15M6M12B	15M6M16B
	15M9M2B	15M9M4B	15M9M6B	15M9M8B	15M9M12B	15M9M16B
	15M12M2B	15M12M4B	15M12M6B	15M12M8B	15M12M12B	15M12M16B
	15M16M2B	15M16M4B	15M16M6B	15M16M8B	15M16M12B	15M16M16B
	15M4H2B	15M4H4B	15M4H6B	15M4H8B	15M4H12B	15M4H16B
	15M6H2B	15M6H4B	15M6H6B	15M6H8B	15M6H12B	15M6H16B
	15M9H2B	15M9H4B	15M9H6B	15M9H8B	15M9H12B	15M9H16B
	15M5U2B	15M5U4B	15M5U6B	15M5U8B	15M5U12B	15M5U16B

Sour Service  
Products  
Pipe Valves & Fittings  
to 15,200 psi (1,050 bar)

Adapters and  
Couplings  
Medium Pressure  
to 21,000 psi (1,500 bar)

Accessories  
High Pressure  
to 65,000 psi (4,500 bar)

Tools and  
Installation  
Ultra High Pressure  
to 152,000 psi (10,500 bar)

Technical  
Information  
Valve Actuators

Ball Valves  
to 21,000 psi (1,500 bar)



## Accessories

Pressure gauges, transducers and high pressure hoses

MAXIMATOR has been designing and manufacturing high pressure equipment for more than thirty years and has a worldwide reputation for quality and reliability, backed by one of the best service organizations in the industry.

### High Pressure Valves feature:

- ▶ pressure gauges up to max. 101,000 psi (**7,000 bar**)
- ▶ robust and safe pressure transducers up to max. 116,000 psi (**8,000 bar**)
- ▶ comprehensive range of HP hoses for max. 58,000 psi (**4,000 bar**)

**Note:** When selecting multiple items, the pressure rating would be that of the lowest rated component.

### High Pressure Index

Gauges rated to 101,000 psi ( <b>7,000 bar</b> ) .....	2
Transducers rated to 116,000 psi ( <b>8,000 bar</b> ) .....	2
Connections .....	3
High pressure hoses rated to 58,000 psi ( <b>4,000 bar</b> ) .....	4

**Factory**  
**MAXIMATOR GmbH**  
 Lange Straße 6  
 99734 Nordhausen  
 Germany

Telephone: +49 (0) 3631 9533-0  
 Facsimile: +49 (0) 3631 9533-5010  
 E-Mail: info@maximator.de  
 Internet: www.maximator.de

All technical and dimensional information subject to change. All general Terms and Conditions of sale, including limitations of our liability, apply to all products and services sold.

**Sour Service Products**  
 Pipe Valves & Fittings  
 to 15,200 psi (1,050 bar)

**Adapters and Couplings**  
 Medium Pressure  
 to 21,000 psi (1,500 bar)

**Accessories**  
 High Pressure  
 to 65,000 psi (4,500 bar)

**Tools and Installation**  
 Ultra High Pressure  
 to 152,000 psi (10,500 bar)

**Technical Information**  
 Valve Actuators

**Ball Valves**  
 to 21,000 psi (1,500 bar)

# MAXIMATOR®

## Pressure gauges and transducers

**MAXIMATOR** provides pressure gauges up to max. 101,000 psi (**7,000 bar**). Their connections are adjusted to the **MAXIMATOR** high pressure program (cf. the table below).

All pressure gauges are liquid damped and conform to accuracy class 1.0.



Pressure range	Catalog Number	Connection Type	Diameter in. (mm)	Accuracy class
<b>bar (psi)</b>				
0–1,000 bar (0–14,500 psi)	3300.0152	1/2" BSP	3.9" (100)	1.0
0–1,000 bar (0–14,500 psi)	3300.0164	1/2" BSP	6.3" (160)	1.0
0–1,600 bar (0–23,200 psi)	3300.0108	1/2" BSP	3.9" (100)	1.0
0–1,600 bar (0–23,200 psi)	3300.0165	1/2" BSP	6.3" (160)	1.0
0–2,500 bar (0–36,000 psi)	3300.0153	1/2" BSP	3.9" (100)	1.0
0–2,500 bar (0–36,000 psi)	3300.0166	1/2" BSP	6.3" (160)	1.0
0–4,000 bar (0–58,000 psi)	3300.0167	4 H (9/16"-18 UNF)	6.3" (160)	1.0
0–6,000 bar (0–87,000 psi)	3300.1497	5 U (5/8"-18 UNF)	6.3" (160)	1.0
0–7,000 bar (0–101,000 psi)	3300.3251	5 U (5/8"-18 UNF)	6.3" (160)	1.0

*Gauges with different pressure ranges, diameters and accuracy classes upon request.*

**MAXIMATOR** supplies robust and safe pressure transducers up to max. 116,000 psi (**8,000 bar**). Main features of the transducers are their high accuracy and good longevity.

Their connections are adjusted to the **MAXIMATOR** HP system. Output 0 to 10 VDC.



Pressure range psi (bar)	Catalog Number	Connection Type	Temperature	Accuracy class
36,000 (2,500)	3503.4475	4 H (9/16"-18 UNF)	-4°F to 170°F (-20°C to 80°C)	0.5
58,000 (4,000)	3503.0974	4 H (9/16"-18 UNF)	-4°F to 170°F (-20°C to 80°C)	0.5
116,000 (8,000)	3503.4477	5 U (5/8"-18 UNF)	-4°F to 170°F (-20°C to 80°C)	0.5

All technical and dimensional information subject to change. All general Terms and Conditions of sale, including limitations of our liability, apply to all products and services sold.

Sour Service Products  
Pipe Valves & Fittings  
to 15,200 psi (1,050 bar)

Adapters and Couplings  
Medium Pressure  
to 21,000 psi (1,500 bar)

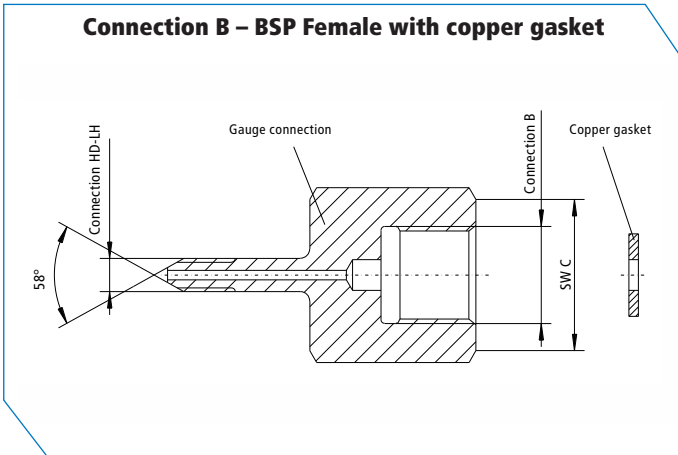
Accessories  
High Pressure  
to 65,000 psi (4,500 bar)

Tools and Installation  
Ultra High Pressure  
to 152,000 psi (10,500 bar)

Technical Information  
Valve Actuators

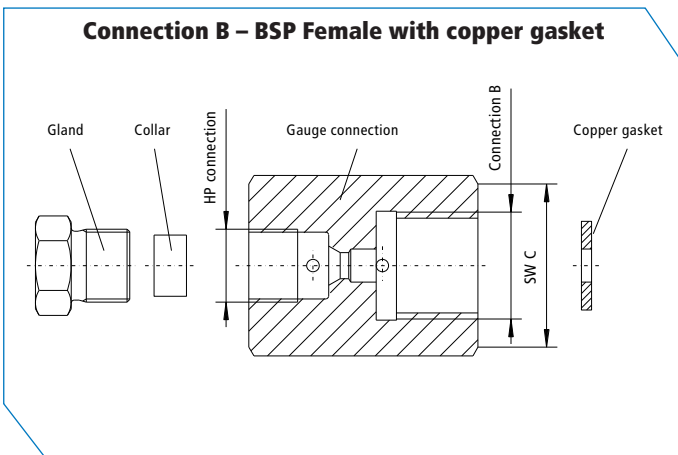
Ball Valves  
to 21,000 psi (1,500 bar)





Typ	Catalog Number	Connection HD-LH	Connection B	SW C
21A4M4GB	3780.2183	4M (1/4-28-UNF-LH)	1/4 BSP	26,99 (1.06")
21A4M8GB	3780.2169	4M (1/4-28-UNF-LH)	1/2 BSP	36,51 (1.44")
21A6M8GB	3780.2170	6M (3/8-24UNF-LH)	1/2 BSP	36,51 (1.44")
21A9M8GB	3780.2179	9M (9/16-18UNF-LH)	1/2 BSP	36,51 (1.44")
21A12M8GB	3780.2193	12M (3/4-16UNF-LH)	1/2 BSP	36,51 (1.44")
21A16M8GB	3780.2194	16M (1-14UNF-LH)	1/2 BSP	36,51 (1.44")
36A4H8GB	3780.2180	4H (1/4-28UNF-LH)	1/2 BSP	36,51 (1.44")
36A6H8GB	3780.2181	6H (3/8-24UNF-LH)	1/2 BSP	36,51 (1.44")
36A9H8GB	3780.2182	9H (9/16-18UNF-LH)	1/2 BSP	36,51 (1.44")

NPT connections see adapters



Typ	Catalog Number	Connection HD-LH	Connection B	SW C	Pressure psi (bar)
21F4M4GB	3780.2187	4M (7/16-20UNF)	1/4 BSP	26,99 (1.06")	21,000 (1,500)
21F4M8GB	3780.2184	4M (7/16-20UNF)	1/2 BSP	36,51 (1.44")	21,000 (1,500)
21F6M4GB	3780.2188	6M (9/16-18UNF)	1/4 BSP	26,99 (1.06")	21,000 (1,500)
21F6M8GB	3780.2185	6M (9/16-18UNF)	1/2 BSP	36,51 (1.44")	21,000 (1,500)
36F4H4GB	3780.2189	4H (9/16-18UNF)	1/4 BSP	26,99 (1.06")	36,000 (2,500)
36F4H8GB	3780.2186	4H (9/16-18UNF)	1/2 BSP	36,51 (1.44")	36,000 (2,500)

NPT connections see adapters

All technical and dimensional information subject to change. All general Terms and Conditions of sale, including limitations of our liability, apply to all products and services sold.

MAXIMATOR provides a comprehensive range of HP hoses in high-quality thermoplastic synthetic materials. Pressure substrates are of steel and compatible materials.

These flexible connections are suited for max. operating pressures of 58,000 psi (4,000 bar).

Upon request, MAXIMATOR also supplies HP hoses with glands and collars to make them fit for integration into a 65,000 psi (4,500 bar) high pressure system. Hoses for other operating pressures and nominal widths as well connection combinations can be supplied upon request.



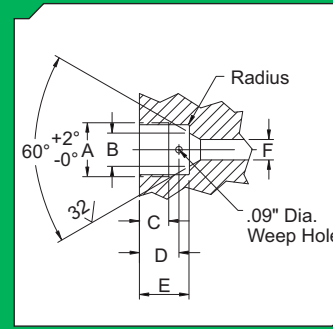
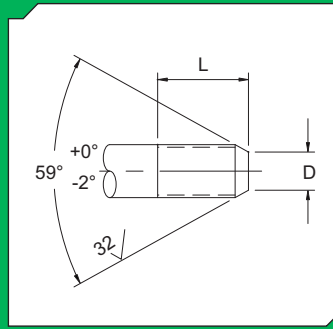
High Pressure Connection

DKR Connection

Pressure range psi (bar)	Catalog Number	Connection Type	Type	Diameter in. (mm)		Length in. (mm)
				outside	inside	
14,000 (1,000)	3300.0233	DKR 1/4" Union Nut	SK2005St	0.37 (9.4)	0.20 (5)	39 (1000)
14,000 (1,000)	3300.4073	DKR 1/4" Union Nut	SK2005St	0.37 (9.4)	0.20 (5)	79 (2000)
14,000 (1,000)	3300.0235	DKR 1/4" Union Nut	SK2005St	0.37 (9.4)	0.20 (5)	118 (3000)
26,000 (1,800)	3300.0191	DKR 1/4" Union Nut	SK4005St	0.44 (11.2)	0.20 (5)	39 (1000)
26,000 (1,800)	3300.1982	DKR 1/4" Union Nut	SK4005St	0.44 (11.2)	0.20 (5)	79 (2000)
26,000 (1,800)	3300.2082	DKR 1/4" Union Nut	SK4005St	0.44 (11.2)	0.20 (5)	118 (3000)
26,000 (1,800)	3300.2197	1/4"-28UNF-LH	SK4005St	0.44 (11.2)	0.20 (5)	39 (1000)
26,000 (1,800)	3300.3987	1/4"-28UNF-LH	SK4005St	0.44 (11.2)	0.20 (5)	79 (2000)
26,000 (1,800)	3300.3815	1/4"-28UNF-LH	SK4005St	0.44 (11.2)	0.20 (5)	118 (3000)
36,000 (2,500)	3300.0206	DKR 1/4" Union Nut	SK6005St	0.53 (13.4)	0.20 (5)	39 (1000)
36,000 (2,500)	3300.0207	DKR 1/4" Union Nut	SK6005St	0.53 (13.4)	0.20 (5)	79 (2000)
36,000 (2,500)	3300.0208	DKR 1/4" Union Nut	SK6005St	0.53 (13.4)	0.20 (5)	118 (3000)
36,000 (2,500)	3300.1278	1/4"-28UNF-LH	SK6005St	0.53 (13.4)	0.20 (5)	39 (1000)
36,000 (2,500)	3300.2384	1/4"-28UNF-LH	SK6005St	0.53 (13.4)	0.20 (5)	79 (2000)
36,000 (2,500)	3300.3423	1/4"-28UNF-LH	SK6005St	0.53 (13.4)	0.20 (5)	118 (3000)
36,000 (2,500)	3300.5599	3/8"-28UNF-LH	SK6005St	0.53 (13.4)	0.20 (5)	39 (1000)
36,000 (2,500)	3300.5887	3/8"-28UNF-LH	SK6005St	0.53 (13.4)	0.20 (5)	79 (2000)
36,000 (2,500)	3300.5416	3/8"-28UNF-LH	SK6005St	0.53 (13.4)	0.20 (5)	118 (3000)
58,000 (4,000)	3300.6042	1/4"-28UNF-LH	SK8005St	0.55 (14.0)	0.18 (4.6)	39 (1000)
58,000 (4,000)	3300.2927	1/4"-28UNF-LH	SK8005St	0.55 (14.0)	0.18 (4.6)	79 (2000)
58,000 (4,000)	3300.6063	1/4"-28UNF-LH	SK8005St	0.55 (14.0)	0.18 (4.6)	118 (3000)
58,000 (4,000)	3300.1409	3/8"-28UNF-LH	SK8005St	0.55 (14.0)	0.18 (4.6)	39 (1000)
58,000 (4,000)	3300.5712	3/8"-28UNF-LH	SK8005St	0.55 (14.0)	0.18 (4.6)	79 (2000)
58,000 (4,000)	3300.3069	3/8"-28UNF-LH	SK8005St	0.55 (14.0)	0.18 (4.6)	118 (3000)
58,000 (4,000)	3300.5713	9/16"-18UNF-LH	SK8005St	0.55 (14.0)	0.18 (4.6)	39 (1000)
58,000 (4,000)	3300.5988	9/16"-18UNF-LH	SK8005St	0.55 (14.0)	0.18 (4.6)	79 (2000)
58,000 (4,000)	3300.2048	9/16"-18UNF-LH	SK8005St	0.55 (14.0)	0.18 (4.6)	118 (3000)

All technical and dimensional information subject to change. All general Terms and Conditions of sale, including limitations of our liability, apply to all products and services sold.

# MAXIMATOR®



## Tools & Installation

MAXIMATOR offers manual Coning and Threading tools that are designed to prepare accurate tubing ends to accept the medium, high and ultra high pressure connections.

### Tools & Installation feature:

- ▶ Manual Coning and Threading Coning tools are designed to thread up to 9/16" OD tubing.
- ▶ One size Coning and Threading tool with interchangeable bushings and thread dies eliminates multiple tool inventories.
- ▶ Internal needle bearings and high strength materials offers ease of operation and extended tool life.
- ▶ Coning blades are designed to cut both the angle and straight areas to insure good concentricity between the sealing surfaces.
- ▶ Precision Reseating Tools to repair damaged female high pressure connections without full disassembly of components.

MAXIMATOR offers a complete line of manual tools for the proper preparation of medium, high and ultra high pressure connections to 9/16" OD tubing. For complete coning and threading instructions see MAXIMATOR's website at [www.maximator.de](http://www.maximator.de).

**Note:** When selecting multiple items, the pressure rating would be that of the lowest rated component.

### Tools & Installation Index

Coning and Threading Tools . . . . .	2
Reseating and Deburr Tools . . . . .	3
Tube Connection Details . . . . .	4
Assembly Instructions . . . . .	5
Tubing Minimum Bend Radius & Valve Torque Values . . . . .	6

**Factory**      **MAXIMATOR GmbH**  
 Lange Straße 6  
 99734 Nordhausen  
 Germany

Telephone: +49 (0) 3631 9533-0  
 Facsimile: +49 (0) 3631 9533-5010  
 E-Mail: [info@maximator.de](mailto:info@maximator.de)  
 Internet: [www.maximator.de](http://www.maximator.de)

All technical and dimensional information subject to change. All general Terms and Conditions of sale, including limitations of our liability, apply to all products and services sold.

**Sour Service Products**  
 Pipe Valves & Fittings  
 to 15,200 psi (1,050 bar)

**Adapters and Couplings**  
 Medium Pressure  
 to 21,000 psi (1,500 bar)

**Accessories**  
 High Pressure  
 to 65,000 psi (4,500 bar)

**Tools and Installation**  
 Ultra High Pressure  
 to 152,000 psi (10,500 bar)

**Technical Information**  
 Valve Actuators

**Ball Valves**  
 to 21,000 psi (1,500 bar)



MAXIMATOR offers tools for coning and threading tubing up to 9/16" O.D. These are precise tools that allow manual coning and threading of medium, high and ultra high pressure tubing. Please refer to the Maximator website, [www.maximator.de](http://www.maximator.de) and click on the VFT button to find detailed instructions for the coning and threading process.

### Coning Tools

The coning tool comes complete with blades, collet and tools. The blades and tool feed nut allow the user to control the cutting feed rate and face the end of the tube when complete. The blades and collet can be changed for other sizes, while using the same base tool.

Tubing Size O.D. x I.D. in. (mm)	Tubing Pressure psi (bar) @ R.T.	Connection Type	Coning Tool Complete Catalog Number	Replacement Part Information	
				Collet Part Number	Coning Blades Part Number
1/4 x .109 (6.35 x 2.77)	21,000 (1,500)	4MM	CT4M	3781.1009	3781.1014
3/8 x .203 (9.53 x 5.17)	21,000 (1,500)	6MM	CT6M	3781.1010	3781.1013
9/16 x .312 (14.29 x 7.93)	21,000 (1,500)	9MM	CT9M	3781.1011	3781.1012
9/16 x .359 (14.29 x 9.13)	15,200 (1,050)	9MM	CT9M.359	3781.1011	3781.1179
1/4 x .083 (6.35 x 2.11)	65,000 (4,500)	4HM	CT4H	3781.1009	3781.0843
3/8 x .125 (9.53 x 3.17)	65,000 (4,500)	6HM	CT6H	3781.1010	3781.1017
9/16 x .188 (14.29 x 4.77)	65,000 (4,500)	9HM	CT9H	3781.1011	3781.1016
5/16 x .062 (7.94 x 1.58)	152,000 (10,500)	5UM	CT5U	3781.0846	3781.0843



### Threading Tools

The threading tool comes complete with the threading die and bushing. The thread is a left hand type. The thread die and bushing can be changed for other sizes, while using the same base tool.

Tubing Size O.D. x I.D. in. (mm)	Tubing Pressure psi (bar) @ R.T.	Connection Type	Left Hand Thread Size (UNF class 2)	Threading Tool Complete Catalog Number	Replacement Part Information	
					Die Part Number	Bushing Part Number
1/4 x .109 (6.35 x 2.77)	21,000 (1,500)	4MM	1/4-28	TT4	3781.1061	3781.1055
3/8 x .203 (9.53 x 5.17)	21,000 (1,500)	6MM	3/8-24	TT6	3781.1059	3781.1053
9/16 x .312 (14.29 x 7.93)	21,000 (1,500)	9MM	9/16-18	TT9	3781.1060	3781.1054
9/16 x .359 (14.29 x 9.13)	15,200 (1,050)	9MM	9/16-18	TT9	3781.1060	3781.1054
1/4 x .083 (6.35 x 2.11)	65,000 (4,500)	4HM	1/4-28	TT4	3781.1061	3781.1055
3/8 x .125 (9.53 x 3.17)	65,000 (4,500)	6HM	3/8-24	TT6	3781.1059	3781.1053
9/16 x .188 (14.29 x 4.77)	65,000 (4,500)	9HM	9/16-18	TT9	3781.1060	3781.1054
5/16 x .062 (7.94 x 1.58)	152,000 (10,500)	5UM	5/16-24	TT5	3781.1058	3781.1052

All technical and dimensional information subject to change. All general Terms and Conditions of sale, including limitations of our liability, apply to all products and services sold.



### Reseating Tools

The reseating tool is designed to rework an existing damaged coned and threaded connection without full disassembly of the component. The reseating tool will resurface the sealing surfaces of the medium, high, and ultra high pressure connections up to 9/16" tubing.

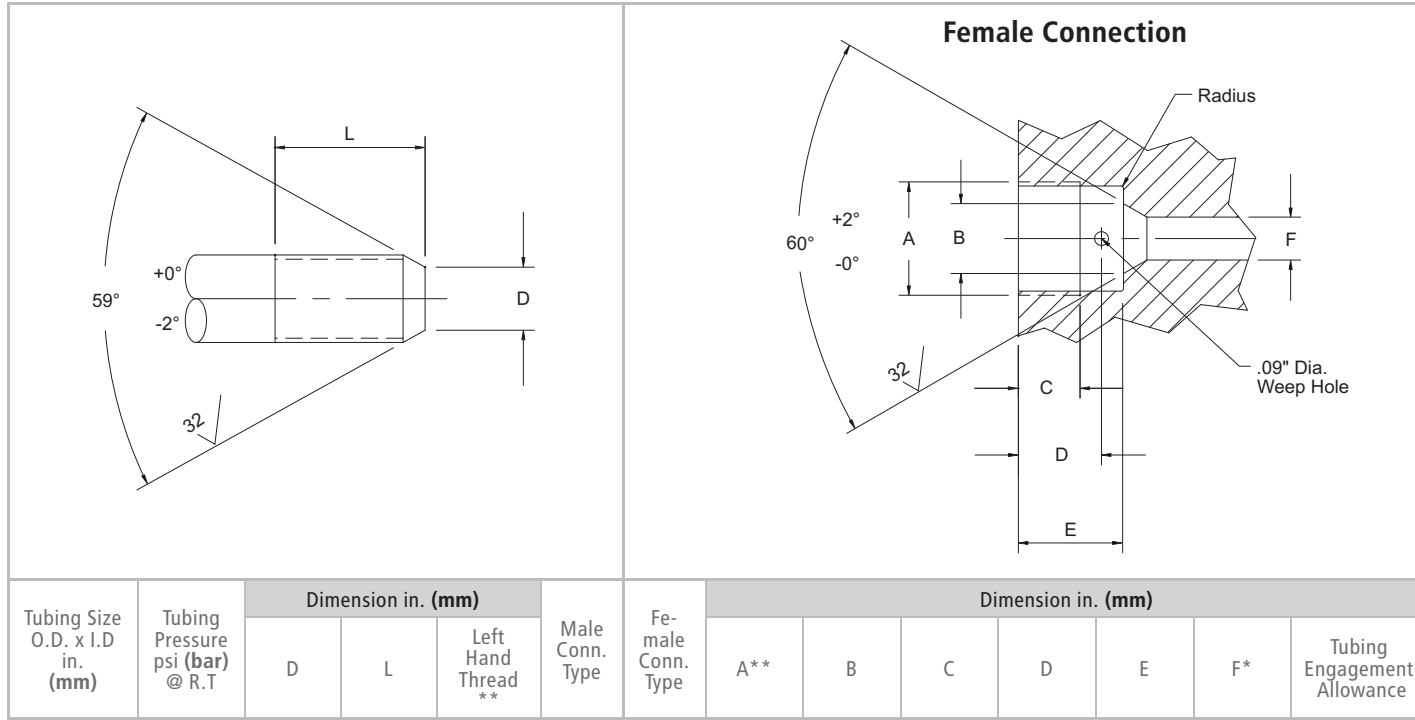
Tubing Size O.D. x I.D. in. (mm)	Tubing Pressure psi (bar) @ R.T.	Connection Type	Reseating Tool Complete Catalog Number	Replacement Part Information		
				Cutter Part Number	Bushing Part Number	Gland Part Number
1/4 x .109 (6.35 x 2.77)	21,000 (1,500)	4MF	RT4M	3781.0647	n/a	3781.0649
3/8 x .203 (9.53 x 5.17)	21,000 (1,500)	6MF	RT6M	3781.0650	n/a	3781.0651
9/16 x .312 (14.29 x 7.93)	21,000 (1,500)	9MF	RT9M	3781.0656	n/a	3781.0655
9/16 x .359 (14.29 x 9.13)	15,200 (1,050)	9MF	RT9M	3781.0656	n/a	3781.0655
1/4 x .083 (6.35 x 2.11)	65,000 (4,500)	4HF	RT4H	3781.0647	1700.0719	3781.0648
3/8 x .125 (9.53 x 3.17)	65,000 (4,500)	6HF	RT6H	3781.0645	1700.0718	3781.0646
9/16 x .188 (14.29 x 4.77)	65,000 (4,500)	9HF	RT9H	3781.0532	1700.0613	3781.0533
5/16 x .062 (7.94 x 1.58)	152,000 (10,500)	5UF	RT5U	3781.0532	n/a	3781.0652



### Deburring Tools

The deburring tool is designed to remove the metal burr on the inside diameter of the tubing after the cutting process. The reseating tool will work on all medium, high, and ultra high pressure connections up to 9/16" tubing.

Tubing Size O.D. x I.D. in. (mm)	Tubing Pressure psi (bar) @ R.T.	Connection Type	Deburring Tool Complete Catalog Number	Replacement Part Information
				Bushing Part Number
1/4 x .109 (6.35 x 2.77)	21,000 (1,500)	4MM	DT4	1452.0821
3/8 x .203 (9.53 x 5.17)	21,000 (1,500)	6MM	DT4	1452.0821
9/16 x .312 (14.29 x 7.93)	21,000 (1,500)	9MM	DT4	1452.0821
9/16 x .359 (14.29 x 9.13)	15,200 (1,050)	9MM	DT5	1452.4605
1/4 x .083 (6.35 x 2.11)	65,000 (4,500)	4HM	DT4	1452.0821
3/8 x .125 (9.53 x 3.17)	65,000 (4,500)	6HM	DT4	1452.0821
9/16 x .188 (14.29 x 4.77)	65,000 (4,500)	9HM	DT4	1452.0821
5/16 x .062 (7.94 x 1.58)	152,000 (10,500)	5UM	DT4	1452.0821



Medium Pressure													
1/4 x .109 (6.35 x 2.77)	21,000 (1,500)	0.141 (3.6)	0.344 (8.7)	1/4-28	4MM	4MF	7/16-20	0.19 (4.7)	0.28 (7)	0.37 (9.5)	0.51 (13)	0.109 (2.7)	0.55 (14)
3/8 x .203 (9.53 x 5.17)	21,000 (1,500)	0.250 (6.4)	0.438 (11.1)	3/8-24	6MM	6MF	9/16-18	0.31 (7.7)	0.38 (9.6)	0.50 (12.7)	0.62 (15.7)	0.203 (5.1)	0.69 (17.5)
9/16 x .312 (14.29 x 7.93)	21,000 (1,500)	0.406 (10.3)	0.500 (12.7)	9/16-18	9MM	9MF	13/16-16	0.50 (12.7)	0.44 (11.2)	0.59 (15.1)	0.75 (19.1)	0.312 (7.8)	0.84 (21.3)
9/16 x .359 (14.29 x 9.13)	15,200 (1,050)	0.438 (11.1)	0.500 (12.7)	9/16-18								0.359 (9.1)	0.83 (21.1)
3/4 x .438 (19.05 x 11.12)	21,000 (1,500)	0.562 (14.3)	0.625 (15.9)	3/4-16	12MM	12MF	3/4-14 NPS	0.62 (15.7)	0.50 (12.7)	0.72 (18.3)	0.94 (23.9)	0.438 (11.1)	1.00 (25.4)
3/4 x .516 (19.05 x 13.1)	15,200 (1,050)	0.578 (14.7)	0.625 (15.9)	3/4-16								0.516 (13.1)	0.99 (25.1)
1 x .562 (25.4 x 14.27)	21,000 (1,500)	0.719 (18.3)	0.781 (19.8)	1-14	16MM	16MF	1-3/8-12	0.88 (22.4)	0.81 (20.6)	1.06 (27)	1.31 (33.3)	0.562 (14.3)	1.44 (36.6)
1 x .688 (25.4 x 17.47)	15,200 (1,050)	0.812 (20.6)	0.781 (19.8)	1-14								0.688 (17.5)	1.38 (35.1)
High Pressure													
1/4 x .083 (6.35 x 2.11)	65,000 (4,500)	0.125 (3.2)	0.562 (14.3)	1/4-28	4HM	4HF	9/16-18	0.17 (4.2)	0.39 (10)	0.39 (10)	0.45 (11.5)	0.094 (2.3)	0.50 (12.7)
3/8 x .125 (9.53 x 3.17)	65,000 (4,500)	0.219 (5.6)	0.750 (19.1)	3/8-24	6HM	6HF	3/4-16	0.26 (6.5)	0.53 (13.5)	0.53 (13.5)	0.63 (16)	0.118 (3)	0.69 (17.5)
9/16 x .188 (14.29 x 4.77)	65,000 (4,500)	0.281 (7.1)	0.938 (23.8)	9/16-18	9HM	9HF	1-1/8-12	0.38 (9.7)	0.62 (15.7)	0.62 (15.7)	0.75 (19.1)	0.188 (4.8)	0.84 (21.3)
Ultra High Pressure													
5/16 x 0.62 (7.95 x 1.58)	152,000 (10,500)	0.125 (3.2)	0.687 (17.4)	5/16-24	5UM	5UF	5/8-18	0.25 (6.2)	0.63 (16)	0.93 (23.5)	1.06 (27)	0.09 (2.3)	1.25 (31.75)

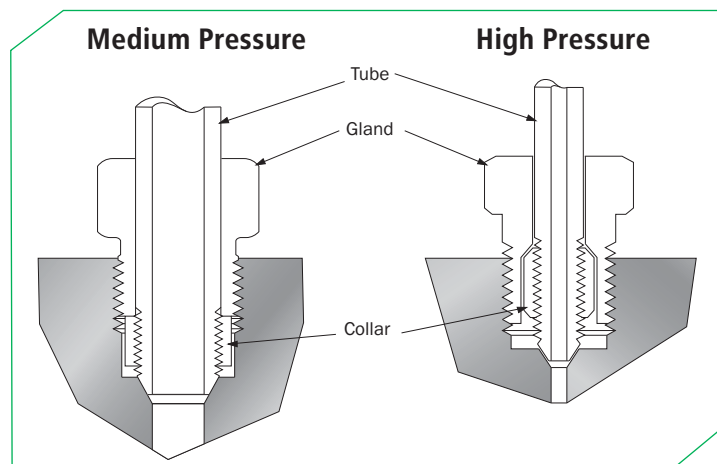
\* Port diameters may vary depending on specific valve or fitting component type. See actual component catalog page for orifice sizes and pressure ratings.

\*\* Unified National Fine thread, Class 2.

All dimensions are for references only and are subject to change.

All technical and dimensional information subject to change. All general Terms and Conditions of sale, including limitations of our liability, apply to all products and services sold.

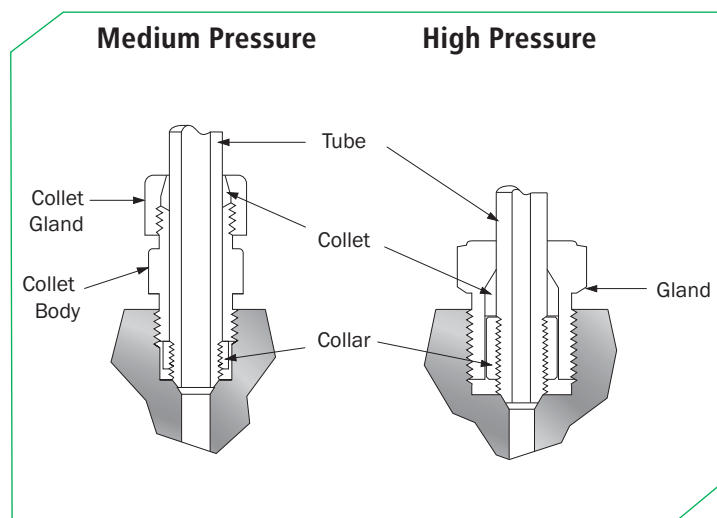
### Assembly of Standard Coned & Threaded Connections



#### Assembly Instructions:

1. Insert the gland onto the tubing. Thread the left handed collar onto the tube until at least one or two threads are exposed from the tapered coned end.
2. Apply a compatible lubricant to the gland threads and the back side of the collar where it comes in contact with the gland. Also lubricate the tapered cone portion of the tube. This will help protect the sealing surfaces from galling during the assembly process.
3. Insert the tubing into the connection and tighten the assembly hand tight. Then use a torque wrench to tighten the connection to the appropriate value in the table below. It is good practice to use an additional wrench to prevent the opposite connection from turning.

### Assembly of Anti-Vibration Collet Gland Connections



#### Assembly Instructions

1. The High Pressure Anti-Vibration Collet Gland Assembly can be installed using the same procedure as the standard coned and threaded connection. (see above steps 1 through 3) The high pressure collet grips the tube when the connection gland is tightened.
2. When using the Medium Pressure Anti-Vibration Collet Assembly, the procedure is the same as that of the standard coned and threaded connection (see above steps 1 through 3) with the additional step below.
3. Once the Collet Body has been tightened to the appropriate torque value in the table below, the Collet Gland can be turned 1 - 1/4 turns past hand tight. This will compress the collet against the tube. After the initial compression of the collet, any additional retightening would only require 3/4 of a turn past hand tight.

### Torque Values

Tubing Size O.D. x I.D. in. (mm)	Tubing Pressure psi (bar) @ R.T.	Connection Type	Tube Gland Hex Size in. (mm)	Required Torque ft-lbs. (Nm)
1/4 x .109 (6.35 x 2.77)	21,000 (1,500)	4M	1/2 (12.7)	20 (30)
3/8 x .203 (9.53 x 5.17)	21,000 (1,500)	6M	5/8 (15.9)	30 (40)
9/16 x .312 (14.29 x 7.93)	21,000 (1,500)	9M	15/16 (23.8)	55 (75)
9/16 x .359 (14.29 x 9.13)	15,200 (1,050)	9M	15/16 (23.8)	55 (75)
3/4 x .438 (19.05 x 11.12)	21,000 (1,500)	12M	1-3/16 (30.2)	90 (120)
3/4 x .516 (19.05 x 13.1)	15,200 (1,050)	12M	1-3/16 (30.2)	90 (120)
1 x .562 (25.4 x 14.27)	21,000 (1,500)	16M	1-3/8 (34.9)	150 (200)
1 x .688 (25.4 x 17.47)	15,200 (1,050)	16M	1-3/8 (34.9)	150 (200)
1/4 x .083 (6.35 x 2.11)	65,000 (4,500)	4H	5/8 (15.9)	25 (35)
3/8 x .125 (9.53 x 3.17)	65,000 (4,500)	6H	13/16 (20.6)	50 (70)
9/16 x .188 (14.29 x 4.77)	65,000 (4,500)	9H	1-3/16 (30.2)	110 (150)
5/16 x .062 (7.94 x 1.58)	152,000 (10,500)	5U	3/4 (19.05)	70 (95)

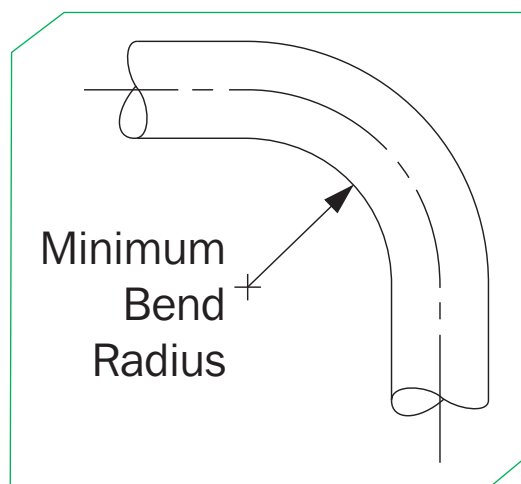
All dimensions are for references only and are subject to change.

All technical and dimensional information subject to change. All general Terms and Conditions of sale, including limitations of our liability, apply to all products and services sold.

#### Minimum Bend Radius for 316SS & 304SS Tubing

Tubing Size O.D. x I.D. in. (mm)	Tubing Pressure psi (bar) @ R.T.	Recommended Minimum Bend Radius in. (mm)
1/4 x .109 (6.35 x 2.77)	21,000 (1,500)	1.25 (31.8)
3/8 x .203 (9.53 x 5.17)	21,000 (1,500)	1.75 (44.5)
9/16 x .312 (14.29 x 7.93)	21,000 (1,500)	2.63 (66.8)
9/16 x .359 (14.29 x 9.13)	15,200 (1,050)	2.63 (66.8)
3/4 x .438 (19.05 x 11.12)	21,000 (1,500)	3.50 (88.9)
3/4 x .516 (19.05 x 13.1)	15,200 (1,050)	3.50 (88.9)
1 x .562 (25.4 x 14.27)	21,000 (1,500)	4.63 (117.6)
1 x .688 (25.4 x 17.47)	15,200 (1,050)	4.63 (117.6)
1/4 x .083 (6.35 x 2.11)	65,000 (4,500)	1.25 (31.8)
3/8 x .125 (9.53 x 3.17)	65,000 (4,500)	1.75 (44.5)
9/16 x .188 (14.29 x 4.77)	65,000 (4,500)	2.63 (66.8)
5/16 x .062 (7.94 x 1.58)	152,000 (10,500)	6.00 (152.4)

All dimensions are for references only and are subject to change.

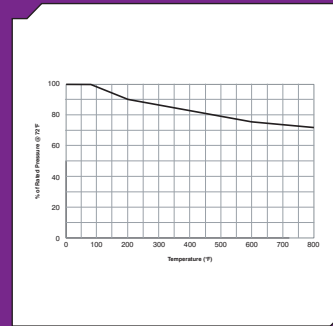


#### Needle Valve Torque Values

Valve Series	Tubing Size in. (mm)	Packing Gland Hex in. (mm) Size	Packing Gland Torque ft.-lbs. (Nm)	Running Torque in.-lbs. (Nm)	Seating Torque in.-lbs. (Nm)
Medium Pressure 21,000 psig @ RT 21V	1/4 (6.35)	5/8 (15.9)	30 (40)	40 (4.5)	55 (6.2)
	3/8 (9.53)	5/8 (15.9)	30 (40)	40 (4.5)	55 (6.2)
	9/16 (14.29)	13/16 (20.6)	60 (80)	60 (6.8)	90 (10.2)
	3/4 (19.05)	15/16 (23.8)	3/4 turn	300 (33.9)	360 (40.7)
	1 (25.4)	1 3/8 (34.9)	3/4 turn	360 (40.7)	600 (67.8)
High Pressure 36,000 psig @ RT 36V	1/4 (6.35)	13/16 (20.6)	45 (60)	50 (5.6)	60 (6.8)
	3/8 (9.53)				
	9/16 (14.29)				
High Pressure 65,000 psig @ RT 65V	1/4 (6.35)	13/16 (20.6)	40 (55)	65 (7.3)	75 (8.5)
	3/8 (9.53)				
	9/16 (14.29)				
Ultra High Pressure 101,000 psig @ RT 101V	5/16 (7.94)	15/16 (23.8)	60 (80)	100 (11.3)	120 (13.6)

All dimensions are for references only and are subject to change.





## Technical Information

**MAXIMATOR** has been designing and manufacturing high pressure equipment for more than thirty years and has a worldwide reputation for quality and reliability. Our work is based on a certified quality management system (DIN EN ISO 9001:2000) - the fundamental asset for successfully implementing technical knowledge and experience in the field of complex systems.

### Product features:

- ▶ Maximator's Quality Management System meets all requirements of DIN EN ISO 9001:2000, TÜV Certification to 11-15-2009.
- ▶ All valves, fittings and tubing are designed in accordance with the European Pressure Equipment Directive 97/23/EC.
- ▶ Pressure vs. Temperature chart for 316 cold worked stainless steel.

At **MAXIMATOR** our industry experience is unparalleled. Whether General Industrial, Oil & Gas, Water Jet, Chemical or Petrochemical applications, our teams of experienced engineers and highly trained professionals have worked in the high pressure industry for decades and are prepared to support your needs. Our guiding principles are safety, quality and dependability. Our comprehensive inventory will ensure quick delivery that is unmatched in today's environment.

**Note:** When selecting multiple items, the pressure rating would be that of the lowest rated component.

Technical Information Index	
Pressure vs. Temperature chart . . . . .	2
TÜV Certificate . . . . .	3

**Factory**  
**MAXIMATOR GmbH**  
 Lange Straße 6  
 99734 Nordhausen  
 Germany

Telephone: +49 (0) 3631 9533-0  
 Facsimile: +49 (0) 3631 9533-5010  
 E-Mail: info@maximator.de  
 Internet: www.maximator.de

- Sour Service Products  
Pipe Valves & Fittings  
to 15,200 psi (1,050 bar)
- Adapters and Couplings  
Medium Pressure  
to 21,000 psi (1,500 bar)
- Accessories  
High Pressure  
to 65,000 psi (4,500 bar)
- Tools and Installation  
Ultra High Pressure  
to 152,000 psi (10,500 bar)
- Valve Actuators  
Technical Information
- Ball Valves  
to 21,000 psi (1,500 bar)

#### Technical Information

The information in this section is presented as general data for assisting a user in the selection of valves, fittings and tubing for elevated pressure and/or temperature applications in liquid or gas plumbing systems.

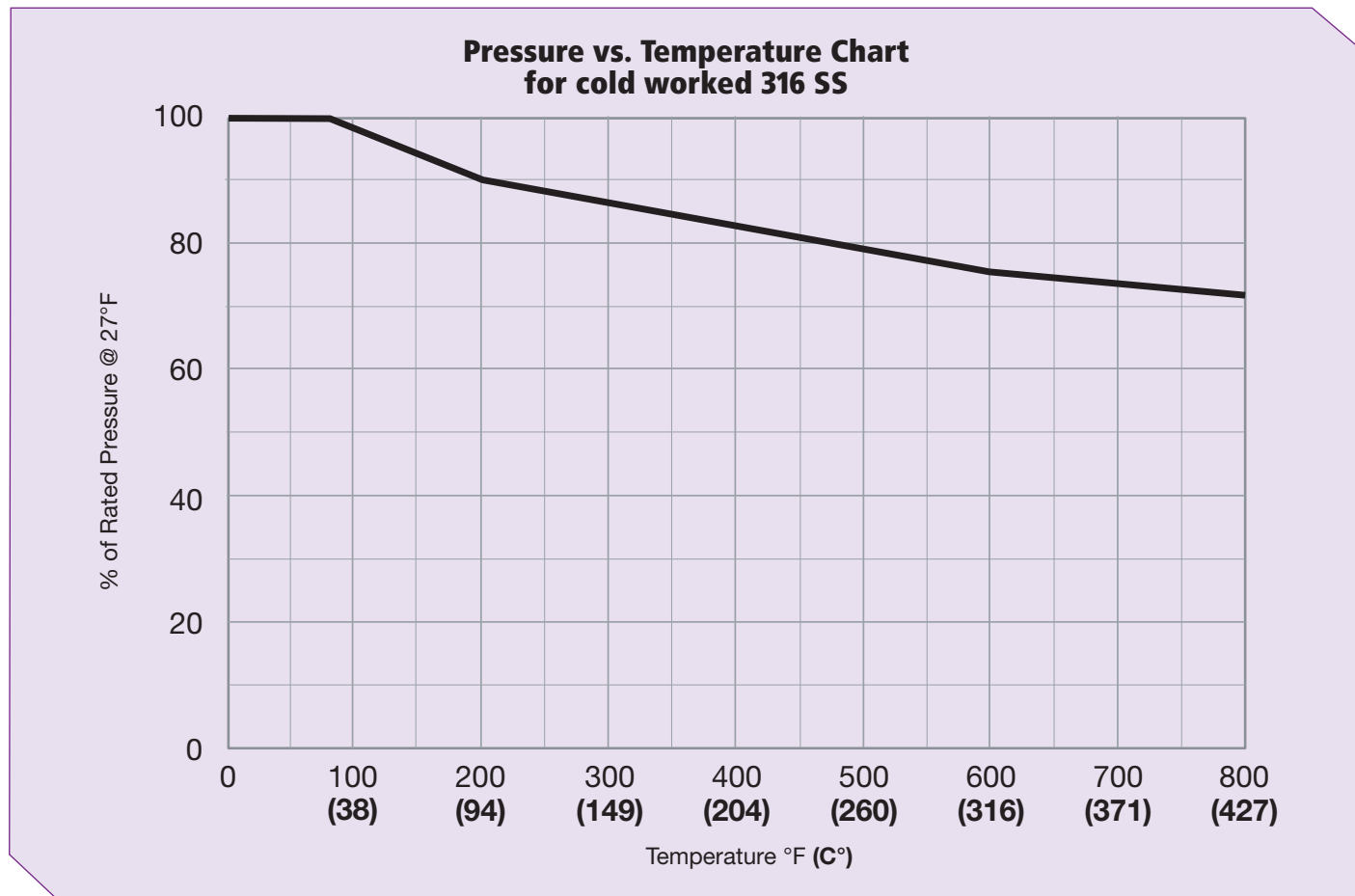
Maximator's medium, high and ultra-high pressure valves, fittings and tubing are good for most services from light vacuum up to 152,000 psi, depending on the pressure series selected. Coned and threaded type tube fittings, standard on all Maximator valves and fittings, can be used for most liquids and gases including lighter gases such as Hydrogen and Helium.

Compatibility of the valve, fitting and tubing materials with the actual process fluid is ultimately the responsibility of the user. Maximator can assist in applications but is not an authority on all process fluids.

Some special applications such as Oxygen service require special cleaning and that option is available from Maximator.

Below is a reference chart showing the effects of pressure versus temperature of cold worked 316 stainless steel material. When operating temperatures are above 800°F, a phenomenon called intergranular corrosion can occur. This condition can permanently change the material properties of the cold worked stainless material. Once the material has seen this elevated temperature, the material is considered to be permanently altered and a lower allowable pressure applies.

Other factors such as creep resistance, packing design and materials, corrosion resistance, cyclic conditions, and other process variables may affect the use of components at elevated temperatures. Consult factory when operating above 800°F.



*Note: The above pressure temperature chart is for 316 cold worked materials, this chart does not account for the temperature rating of packing or o-ring material which could be the limiting factor. Contact factory for other material limitations.*

All technical and dimensional information subject to change. All general Terms and Conditions of sale, including limitations of our liability, apply to all products and services sold.

3999.1831 – DSB 09/2010

# CERTIFICATE



## for the management system according to ISO 9001:2008

The proof of the conforming application with the regulation was furnished and in accordance with certification procedure it is certified for the company

### MAXIMATOR GmbH

Walkenrieder Straße 15  
37449 Zorge/Germany

Uferstraße 11  
99734 Nordhausen/Germany

Scope

**Design, manufacturing and sale of high pressure technics,  
hydraulics, pneumatics and test technology**

Certificate Registration No. TIC 15 100 4011

Valid until 2012-11-15

Audit Report No. 3330 20WJ J0

Initial certification 1994

This certification was conducted in accordance with the TIC auditing and certification procedures and is subject to regular surveillance audits.

*A. Doehsel*

TÜV Thüringen e.V.  
Certification body for  
systems and personnel



Jena, 2010-03-08



DGA-ZM-03-06-00



Zertifizierungsstelle des TÜV Thüringen e.V. • Ernst-Ruska-Ring 6 • D-07745 Jena • ☎ +49 3641 399740 • ✉ zertifizierung@tuv-thueringen.de